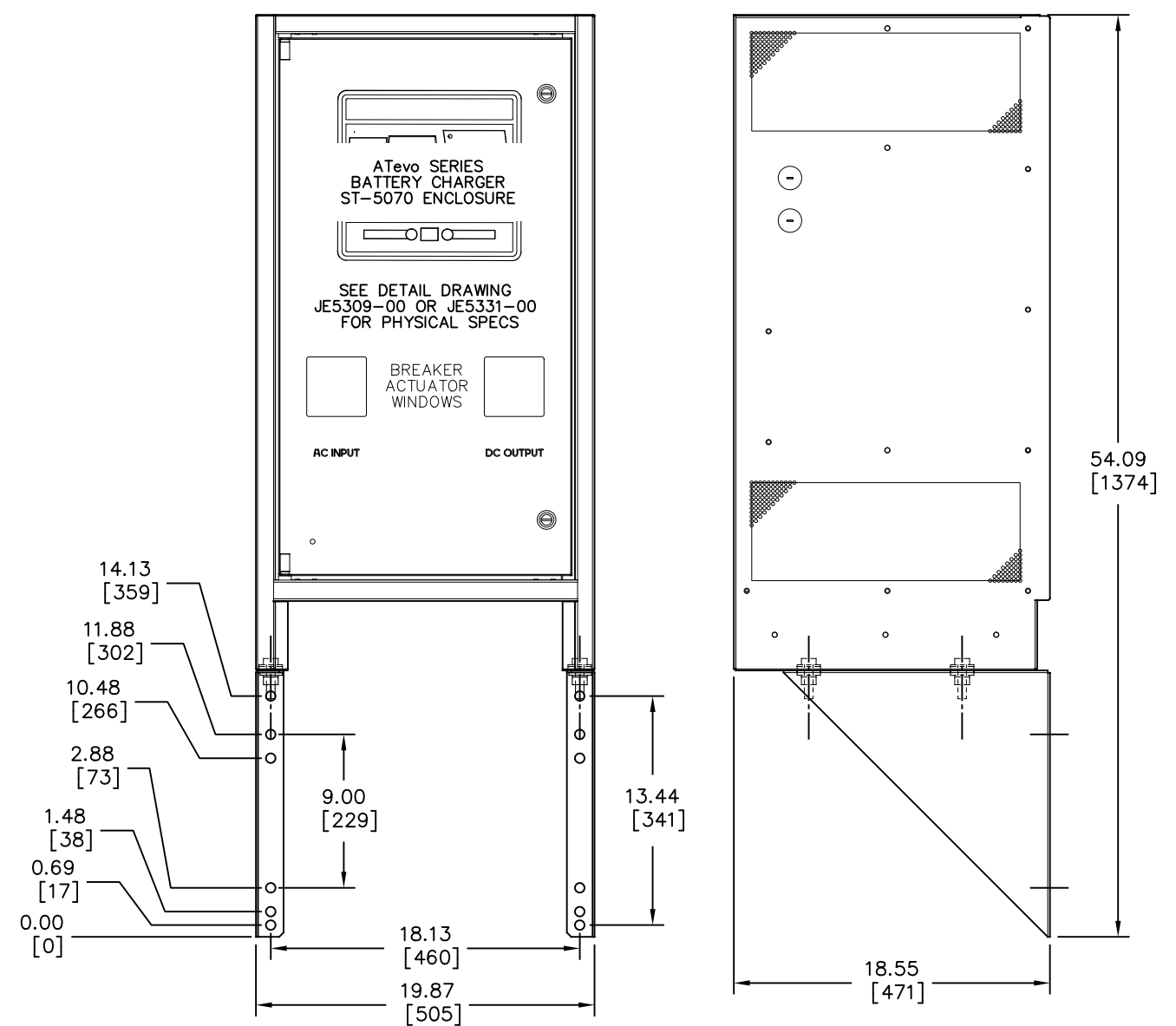


FRONT VIEW

SIDE VIEW



EI5008-50 ASSEMBLY PROCEDURE:

1. SELECTING LOCATION  
MAKE SURE THE WALL SELECTED TO MOUNT ASSEMBLY TO IS CAPABLE OF SUPPORTING THE WEIGHT OF THE CHARGER, MOUNTING BRACKETS, AND ANY OTHER ACCESSORIES THAT ARE PART OF INSTALLATION.
2. PROVIDED HARDWARE  
THE SUPPLIED 1/2in ZPS HARDWARE IS TO BE USED ONLY TO MOUNT THE STYLE-5070 BATTERY CHARGER ONTO THE WALL MOUNTING BRACKETS (p/n EI5008-50).
3. USER-SUPPLIED WALL-MOUNTING HARDWARE SELECTION  
THE VERTICAL MOUNTING HOLES ON THE BRACKETS ARE DESIGNED TO ACCOMMODATE 1/2in OR 9/16in BOLTS. THIS HARDWARE IS TO BE SUPPLIED BY USER AND IS NOT SUPPLIED WITH THE BATTERY CHARGER AND MOUNTING BRACKETS. FOLLOW THE HARDWARE VENDOR'S INSTRUCTIONS WHEN WALL-MOUNTING THE CHARGER/BRACKET ASSEMBLY.

REV. 0	DRN BY KJB	CHK BY MCR	APP BY MCR	DATE 11/4/2020	DRN BY KJB	DATE 11/4/2020		
DESCRIPTION STANDARD DRAWINGS.					CHK BY MCR	DATE 11/4/2020	TITLE ATEVO BATT CHGR ACCESSORY EI5008-50 OUTLINE: WALL-MOUNT STYLE-5070 ENCLOSURE	
ECN No. N/A					APP BY MCR	DATE 11/4/2020	SALES ORDER No.	
							SCALE B NTS	DWG No JE5122-50
							REV 0	SHEET 1 OF 1