

8

7

6

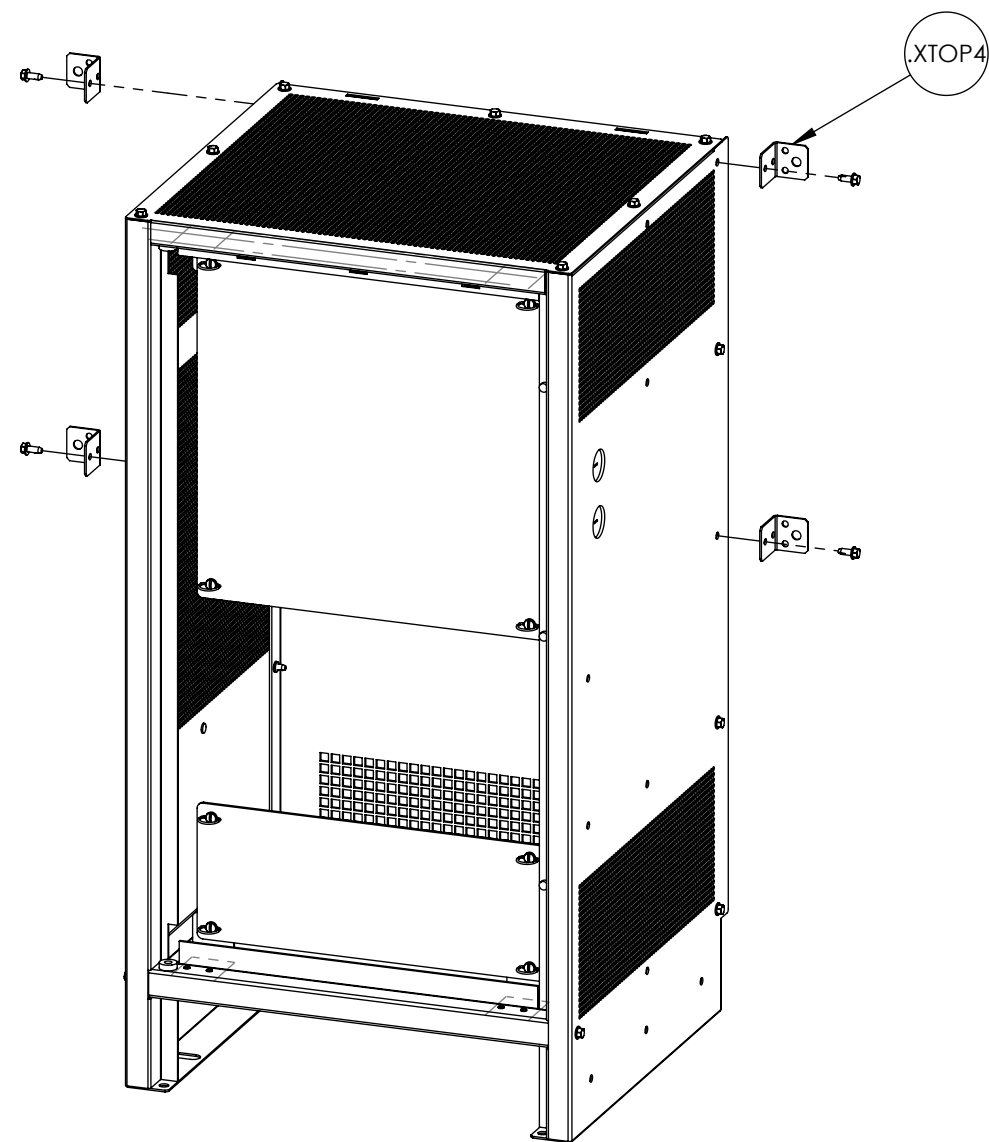
5

4

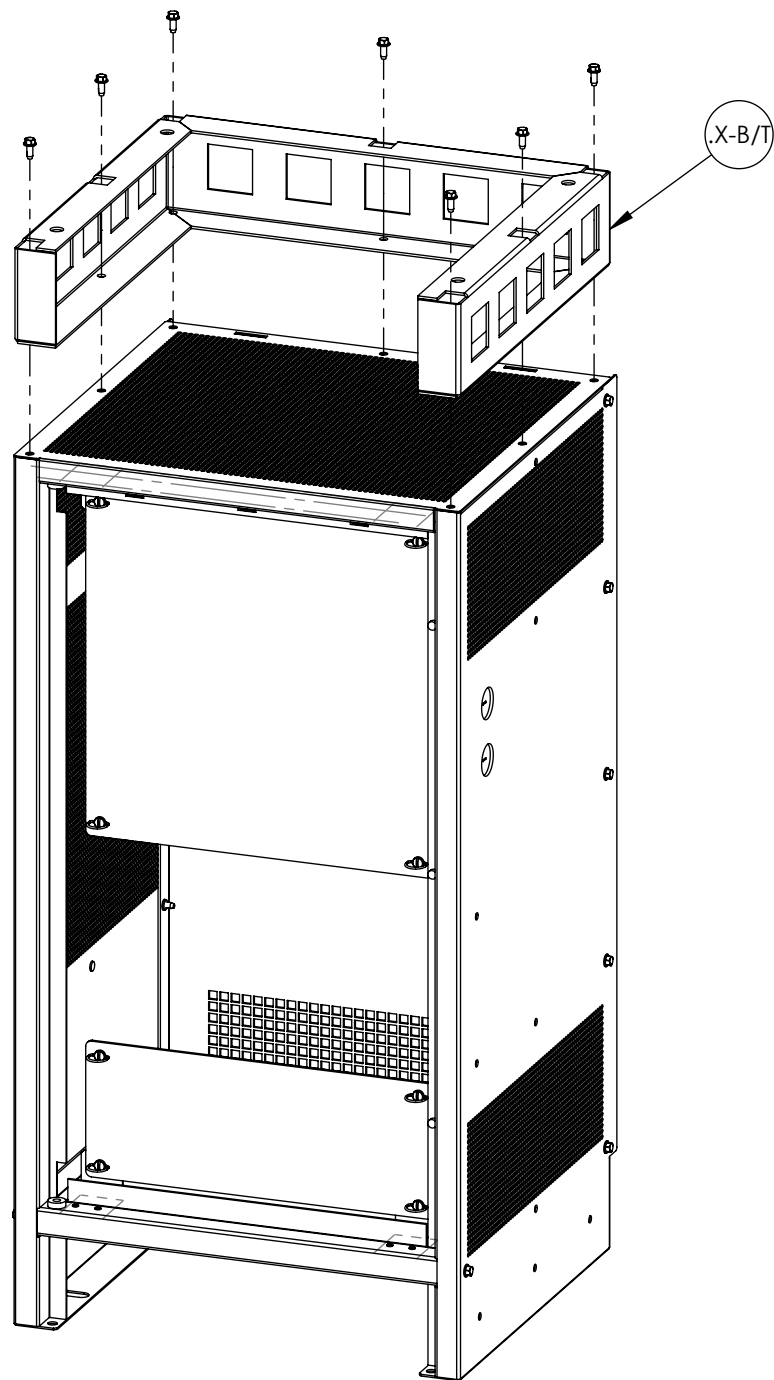
3

2

1



UPPER CHARGER





LOWER CHARGER

INSTRUCTIONS:

1. MOUNT FOUR (4) ANCHOR BRACKETS (.XTOP4) TO REAR OF FIRST CHARGER.
2. MOUNT STACKING BRACKET (.X-B/T) TO TOP OF SECOND CHARGER.
3. INCLUDE MOUNTING HARDWARE AS BAGGED KIT.
4. SHIP CHARGERS UNSTACKED & ADD PRINTS OF JE5223-50.

C:\Hindle Vault\Parts Directory\E - Assemblies\EI - Mechanical Assemblies\EI5090\EI5090-50

REV. 0	DRN BY	CHK BY	APP BY	DATE 1/10/2022	DRN BY <i>KB</i>	DATE: 12/10/2021	 HINDLEPOWER
DESCRIPTION Initial Release				CHK BY <i>MS</i>	DATE: 1/10/2022	TITLE Atevo OPTIONS STYLE-5070 ENCLOSURE STACKING OPTION	
PROPRIETARY AND CONFIDENTIAL NOTICE ANY REPRODUCTION, PARTIAL OR AS A WHOLE OF THIS DOCUMENT WITHOUT THE WRITTEN PERMISSION OF HINDLE POWER, INC IS STRICTLY PROHIBITED.				APP BY <i>@:</i>	DATE: 1/10/2022		
<small>UNLESS OTHERWISE SPECIFIED ALL DIMENSIONS FOLLOW THE ANSI SYSTEM IPS (INCHES-POUNDS & SECONDS) TOLERANCES ARE: FRAC. ±1/64, DEC. ±0.015, ANG ±.25°</small>						SCALE DWG No B 1:8 EI5090-50	REV 0 SHEET 1 OF 1

8

7

6

5

4

3

2

1