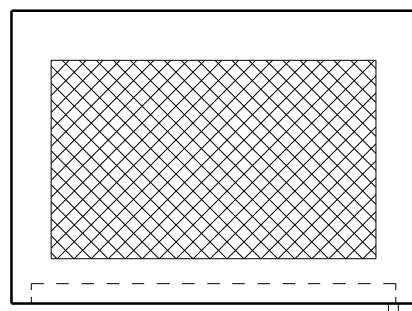
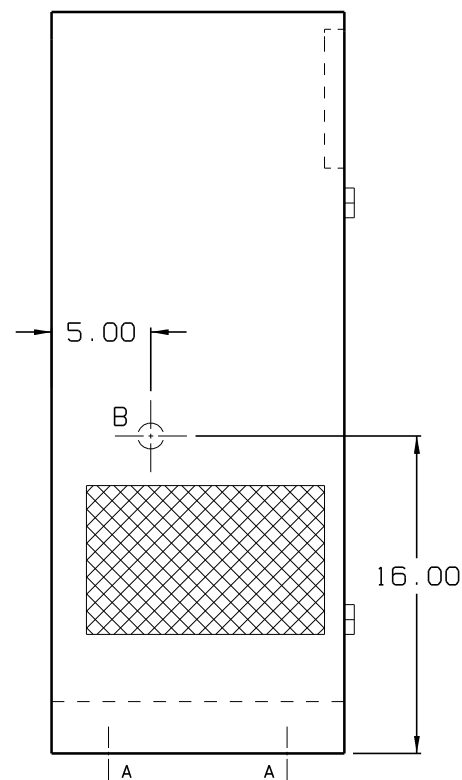


TOP VIEW

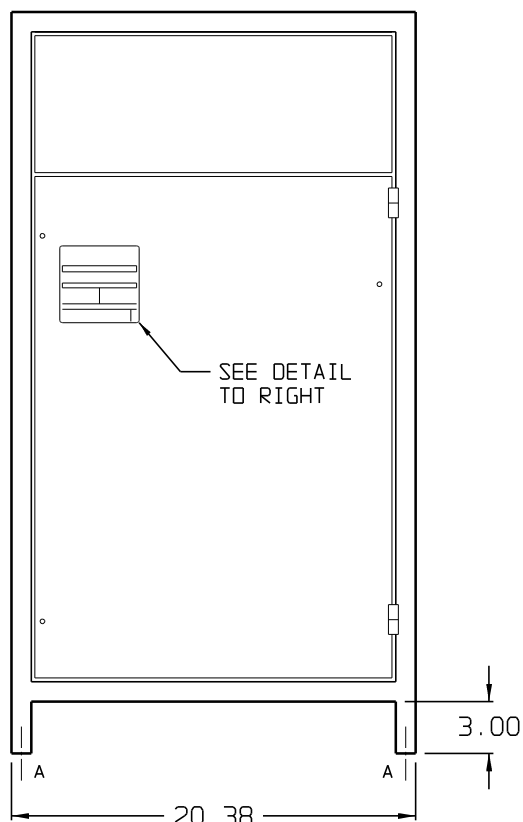


HOLE	DIA.	QTY.	APPLICATION
A	0.625	4	FLOOR MOUNTING
B	1.313	3	PRE-FAB CONDUIT KNOCKOUT FOR 1in CABLE (2-R / 1-L)

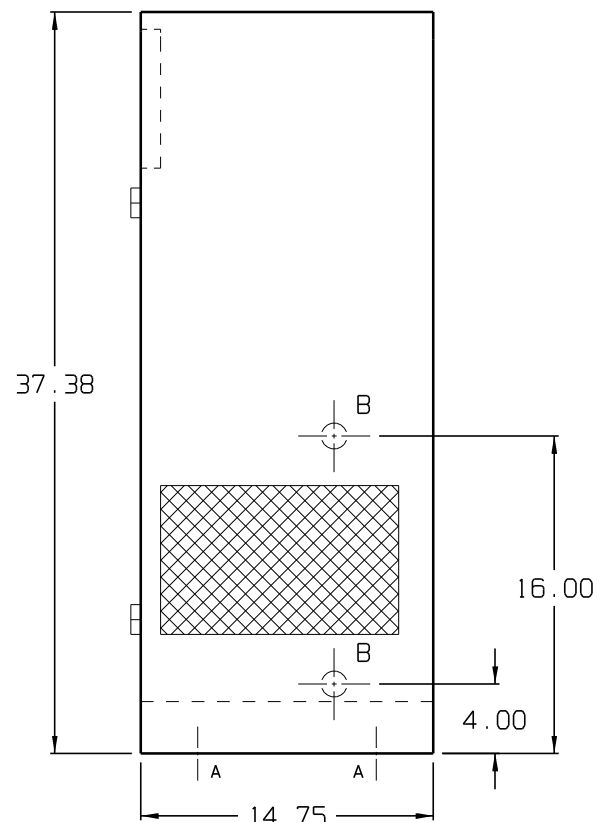
LEFT SIDE VIEW



FRONT VIEW



RIGHT SIDE VIEW



STEERING DIODE ASSEMBLY

MODEL No. EJ5114-XX
SERIAL No. CUSTPO#/SALES#

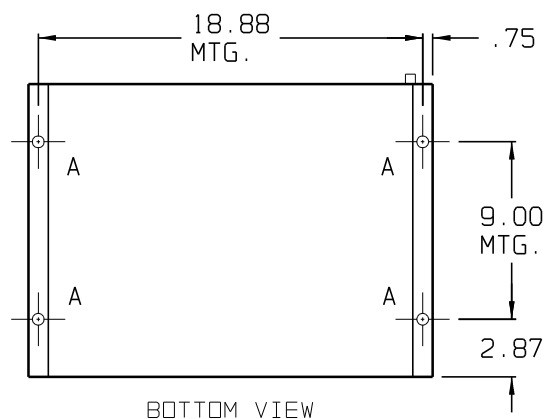
RATING	
	0-250 VDC
	0-#### ADC

NOTES:

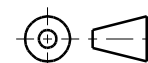
- ENCLOSURE IS A NEMA-1 TYPE STEEL CABINET WITHOUT GASKETS, FINISH IS ANSI-61 GRAY EPOXY POWDERCOAT.
- ALLOW 12in (305mm) OF FREE AIR IN FRONT AND ON TOP OF CABINET FOR VENTILATION.
- STANDARD PRE-FAB SIDE CONDUIT KNOCK-OUTS SHOWN, ENCLOSURE MAY BE FIELD-MODIFIED BY INSTALLER IF REQUIRED.
- STEERING DIODE ASSEMBLY SHIPPING WEIGHT: APPROXIMATELY 100 lbs.

FUNCTION:

- STEERING DIODES LINK TWO (2) BATTERY CHARGER DC OUTPUT BUSES TO COMMON LOAD WITHOUT LINKING BATTERY BANKS TOGETHER. SEE OPERATING INSTRUCTIONS (JA5065-00).



PART No.	VOLTAGE RATING	CURRENT RATING	DIODES
EJ5144-08	250 VDC	800 ADC	(2)
EJ5144-11	250 VDC	500 ADC	(3)
EJ5144-12	250 VDC	1000 ADC	(2)



THIRD ANGLE PROJECTION

C	N/A	080711		DRAWN BY	MCR	071207	TITLE	STEERING DIODE ASSEMBLY OUTLINE: NEMA-1 STYLE-2 ENCLOSURE		
B	N/A	110410		APPROVED			DRAWING No	JE5138-02		REV C
A	N/A	071207		UNLESS OTHERWISE NOTED DIMENSIONS ARE IN INCHES. TOLERANCES ARE:			SCALE	NTS	PART No	JE5138-02
REV	ECN No	DATE	APP				SHEET	1	OF	1