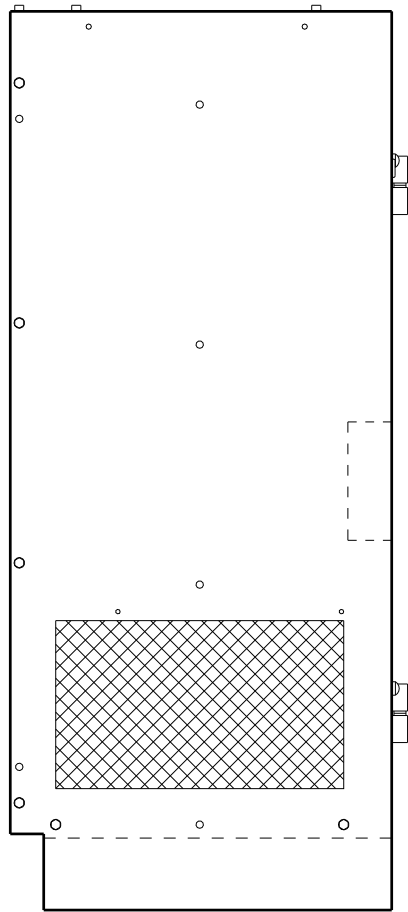
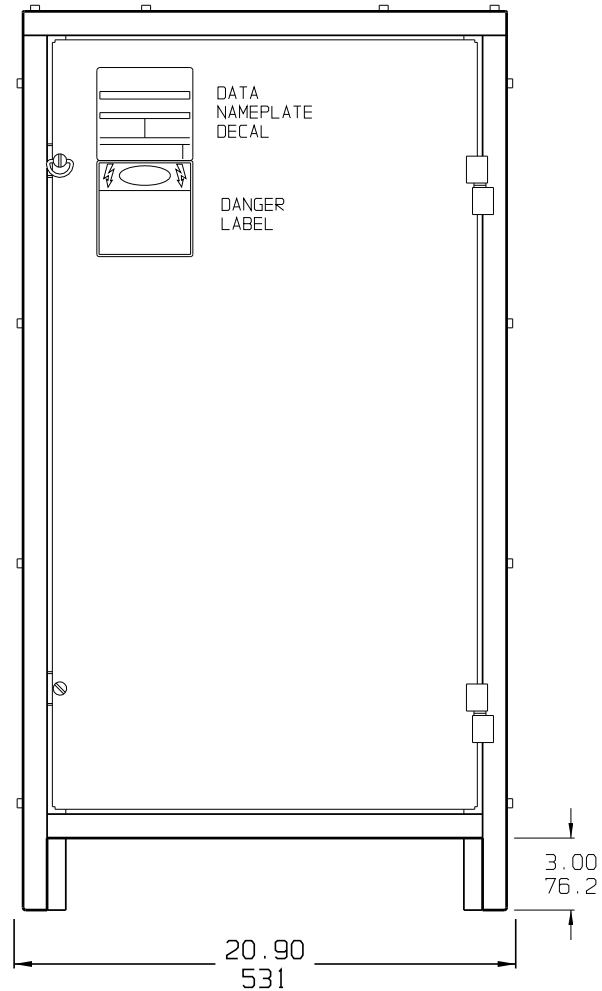


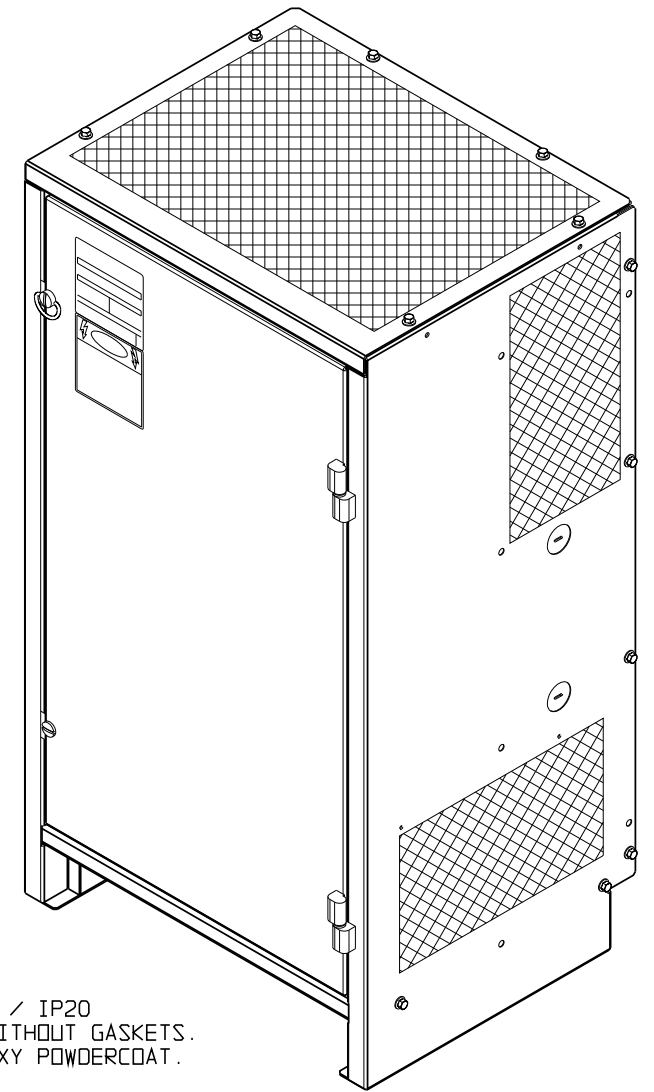
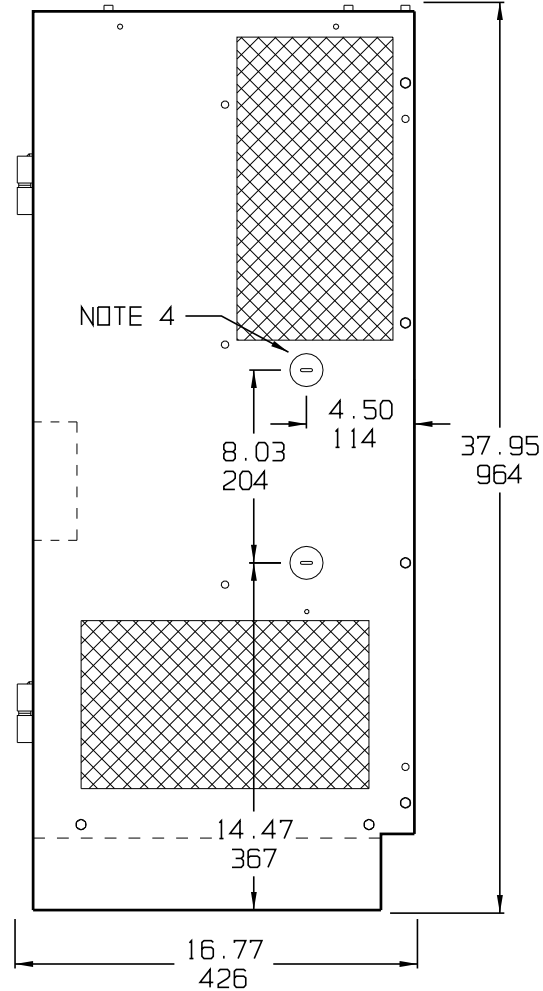
SIDE VIEW



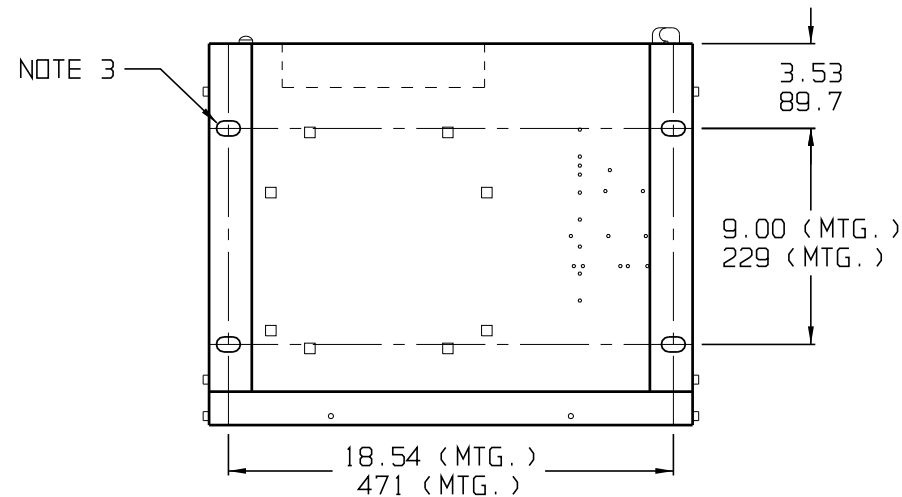
FRONT VIEW



SIDE VIEW



BOTTOM VIEW



NOTES:

- 1) ENCLOSURE IS A NEMA TYPE 1 / IP20 TOP-VENTED STEEL CABINET WITHOUT GASKETS. FINISH IS ANSI-61 GRAY EPOXY POWDERCOAT.
 - 2) ALLOW 6in / 152mm OF FREE AIR ON ALL VENTED SURFACES (TOP, SIDES & REAR) FOR COOLING.
 - 3) FOUR (4) 1in x 0.625in / 25mm x 16mm FLOOR-MOUNTING SLOTS ARE PROVIDED ON BOTTOM OF ENCLOSURE AS SHOWN.
 - 4) TWO (2) 1.31in / 33mm DIA STANDARD PRE-FAB KEY-SLOT KNOCKOUTS ARE PROVIDED AS SHOWN FOR 1in / 25mm CONDUIT ENTRY. IF ADDITIONAL CONDUIT ENTRANCES ARE REQUIRED, ENCLOSURE SHOULD BE FIELD-MODIFIED BY INSTALLER.
 - 5) STEERING DIODE ASSEMBLY SHIPPING WEIGHT: APPROXIMATELY 165 lb / 75 kg
- FUNCTION:
- A) STEERING DIODES LINK TWO (2) BATTERY CHARGER DC OUTPUT BUSES TO COMMON LOAD WITHOUT LINKING BATTERY BANKS TOGETHER. SEE INSTRUCTIONS (JA5065-00).

DUAL DIMENSIONS in mm

PART No.	VOLTAGE RATING	CURRENT RATING
EJ5144-14	250 VDC	1200 ADC
EJ5144-14	600 VDC	1200 ADC

			 THIRD ANGLE PROJECTION		TITLE BEST BATTERY SELECTOR OUTLINE: NEMA-1 STYLE-5018 ENCLOSURE (1200A)	
			DRAWN BY MCR 031720	DRAWING No JE5138-05		
			ELECTRONIC APPROVAL SIGNATURES MAINTAINED BY MFG ECN LOG		REV A	
			UNLESS OTHERWISE NOTED DIMENSIONS ARE IN INCHES. TOLERANCES ARE:		B	
REV	ECN No	DATE	SCALE NTS	PART No JE5138-05	SHEET 1 OF 1	