

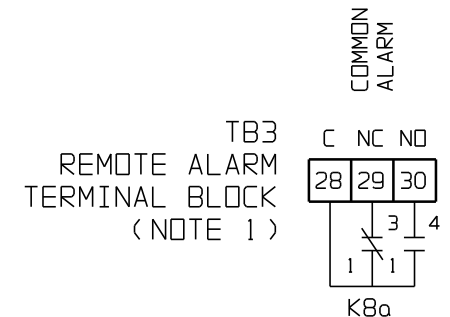
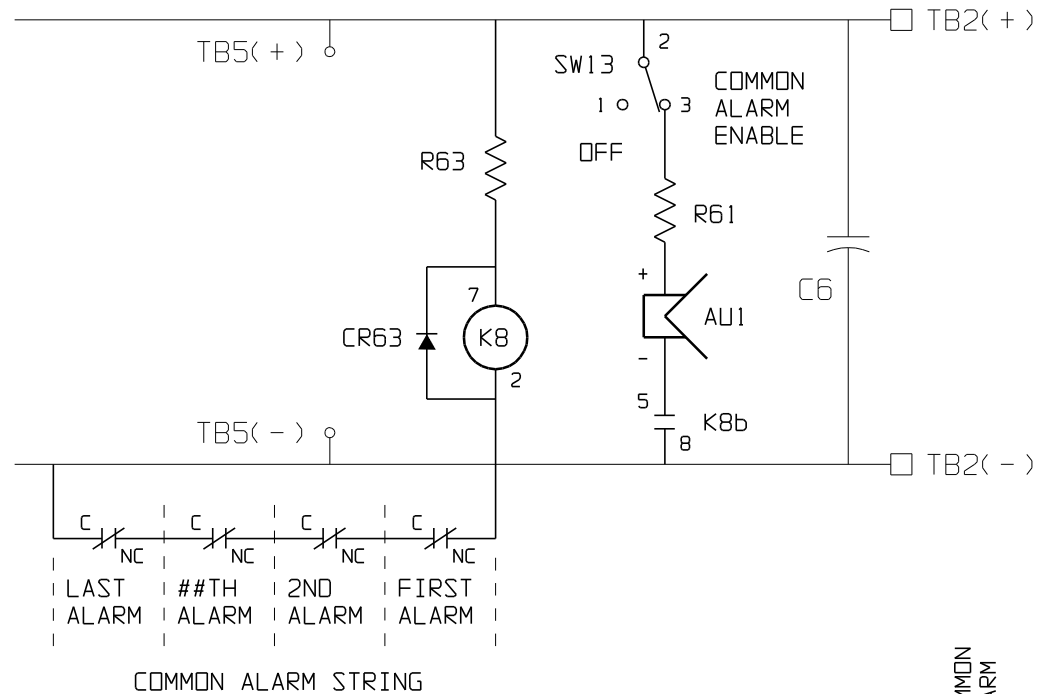
GENERAL NOTES:

- 1) CONTACTS SHOWN IN NON-ALARM CONDITION
- 2) BUZZER COMPONENTS (AU1/R61/SW13) ARE ONLY SUPPLIED WITH OPTIONS EJ0141-11 THROUGH EJ0141-17
- 3) RESISTOR (R61) ONLY USED WITH 130V & 260V UNITS
- 4) RESISTOR (R63) USED ONLY IN 36V, 48V & 260V UNITS
- 5) SCR/SCRF SERIES CHARGER MAINFRAME COMPONENTS (C6/TB2/TB5) SHOWN FOR REFERENCE PURPOSES ONLY
- 6) SEE SHEET 2 OF 4 FOR WIRING DIAGRAM AND ALARM TERMINAL BLOCK (TB3) MECHANICAL ASSY
- 7) SEE SHEET 4 OF 4 FOR BUZZER MOUNTING DETAILS

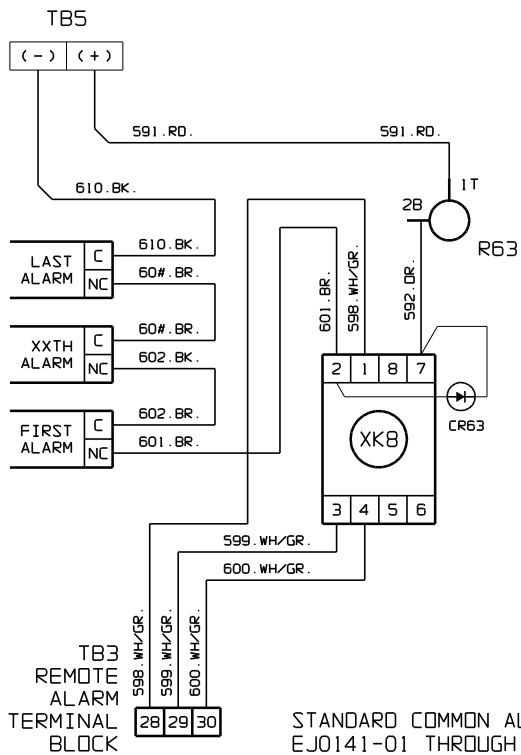
COMMON ALARM STRING NOTES:

- 1) THE COMMON ALARM STRING MAY CONSIST OF TWO (2) OR MORE INDIVIDUAL ALARM OPTIONS - SEE EH0423-00 FOR ORDERED LISTING OF SCR/SCRF SERIES ALARM OPTIONS AND CORRESPONDING (C/NO/NC) CONTACTS
- 2) THE COMMON ALARM STRING USES THE INDIVIDUAL NORMALLY CLOSED (NC) AND COMMON (C) ALARM CIRCUIT CONTACTS NORMALLY CONNECTED TO THE CORRESPONDING REMOTE ALARM TERMINAL BLOCK (TB3) CONTACTS
- 3) THE NORMALLY OPEN (NO) CONTACTS OF THE INDIVIDUAL ALARM OPTIONS ARE NOT USED IN THE COMMON ALARM STRING
- 4) THE COMMON ALARM RELAY MAY BE ACTIVATED BY ANY ALARM RELAY SUPPLIED WITH THE CHARGER, INCLUDED IN THE COMMON ALARM STRING
- 5) DO NOT INCLUDE END OF DISCHARGE ALARM (EJ0143-XX) CONTACTS IN COMMON ALARM STRING - ALARM CONTACTS CONNECTED SEPERATELY TO TB3 AS STANDARD
- 6) SEE SHEET 3 OF 4 FOR SAMPLE COMMON ALARM STRINGS

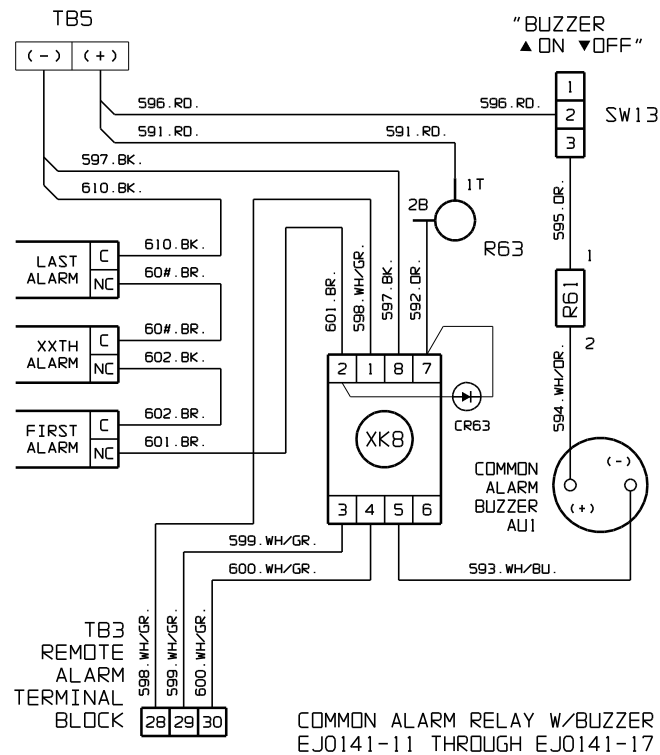
DC OUTPUT
XXXVDC-XXADC



					THIRD ANGLE PROJECTION							
5	E2185	110205		DRAWN BY	<i>OK</i>	061085	TITLE SCR/SCRF SERIES OPTION SCHEMATIC: COMMON ALARM RELAY W/OPTIONAL BUZZER					
4	2184	102295	WKB	APPROVED	WKB	061085	DRAWING No		REV	5C	A	
3	1725	061785	WKB	UNLESS OTHERWISE NOTED DIMENSIONS ARE IN INCHES. TOLERANCES ARE:			EJ0141-XX					
REV	ECN No	DATE	APP	SCALE		NTS	PART No	EJ0141-XX	SHEET	1	OF	4



STANDARD COMMON ALARM RELAY
EJ0141-01 THROUGH EJ0141-07



COMMON ALARM RELAY W/BUZZER
EJ0141-11 THROUGH EJ0141-17

STANDARD WIRE LIST

No.	CODE	FROM	TO
591	RD	TB5(+)	R63-1T
591	RD	TB5(+)	XK8-7
592	DR	R63-2B	XK8-7
598	WH/GR	XK8-1	TB3-28
599	WH/GR	XK8-3	TB3-29
600	WH/GR	XK8-4	TB3-30
601	BR	XK8-2	FIRST ALARM-NC
602	BR	FIRST ALARM-C	SECOND ALARM-NC
603	BR	SECOND ALARM-C	THIRD ALARM-NC
604	BR	THIRD ALARM-C	FOURTH ALARM-NC
605	BR	FOURTH ALARM-C	##TH ALARM-NC
60#	BR	##TH ALARM-C	LAST ALARM-NC
610	BK	LAST ALARM-C	TB5(-)

COMMON ALARM OPTION (EJ0141-XX) NOTES:

- BUZZER COMPONENTS (AU1/R61/SW13) ARE ONLY SUPPLIED WITH OPTIONS EJ0141-11 THROUGH EJ0141-17
- RESISTOR (R61) AND WIRE 595.DR. ONLY USED WITH 130V & 260V UNITS
- RESISTOR (R63) AND WIRE 592.DR. USED ONLY IN 36V, 48V & 260V UNITS
- SEE SHEET 3 OF 4 FOR SAMPLE COMMON ALARM STRINGS
- SEE SHEET 4 OF 4 FOR BUZZER MOUNTING DETAILS
- UTILIZE FORM (DI5017-00) FOR INDIVIDUAL JOBS TO CREATE CUSTOM CONNECTION DIAGRAM WITH SPECIFIC WIRE NUMBERS
- DO NOT INCLUDE END OF DISCHARGE ALARM (EJ0143-XX) CONTACTS IN COMMON ALARM STRING - ALARM CONTACTS CONNECTED SEPERATELY TO TB3 AS STANDARD

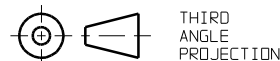
GENERAL CHARGER NOTES:

- SCR/SCRF SERIES CHARGER DC SIGNAL TERMINAL (TB5) SHOWN FOR REFERENCE PURPOSES ONLY
- USE 3-POS REMOTE ALARM TERMINAL BLOCK PER UNIT WIRING SPECS (15A-PVC / 20A-SIS) AND LABEL "TB3-28/29/30" - USE 6-POS TB3 IF EDD ALARM (EJ0143-XX) IS SUPPLIED WITH UNIT
- ALL STANDARD WIRING TO TB3 OF INDIVIDUAL ALARM OPTIONS IS NOT USED WHEN COMMON ALARM OPTION (EJ0141-XX) IS SUPPLIED

BUZZER WIRE LIST

593	WH/BU	XK8-5	AU1(-)
594	WH/DR	AU1(+)	R61-2B
594	WH/DR	AU1(+)	SW13-3
595	DR	R61-1T	SW13-3
596	RD	SW13-2	TB5(+)
597	BK	XK8-8	TB5(-)

UNLESS OTHERWISE SPECIFIED
ALL WIRING IS #20 AWG



THIRD
ANGLE
PROJECTION

DRAWN BY *OK* 061085

APPROVED *WKB* 061085

UNLESS OTHERWISE NOTED DIMENSIONS
ARE IN INCHES. TOLERANCES ARE:

TITLE SCR/SCRF SERIES OPTION CONNECTION DIAGRAM:
COMMON ALARM RELAY W/OPTIONAL BUZZER

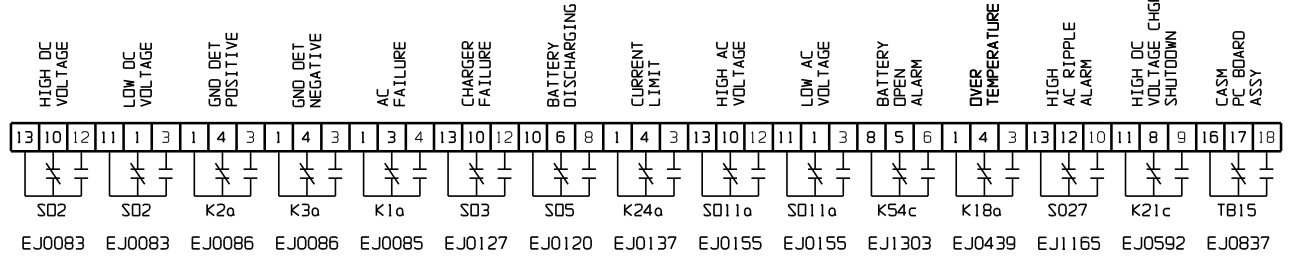
DRAWING No **EJ0141-XX** REV *5C* **A**

SCALE NTS PART No EJ0141-XX SHEET 2 OF 4

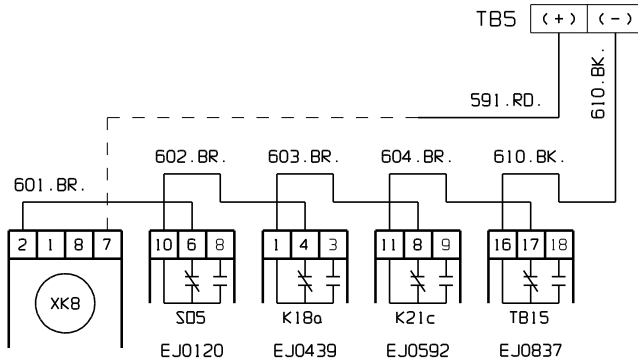
SCR/SCRF SERIES
ALARM OPTION CONTACTS

NOTE:

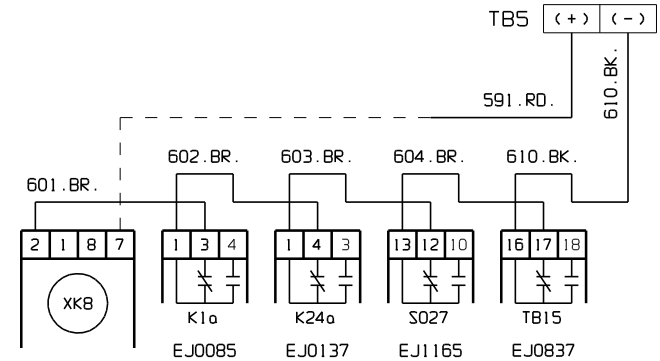
1) ALARM CONTACTS SHOWN FIRST
POSSIBLE TO LAST POSSIBLE (LEFT
TO RIGHT) AS THEY SHOULD BE
PLACED IN COMMON ALARM STRING
(CASM CONTACTS ALWAYS LAST)



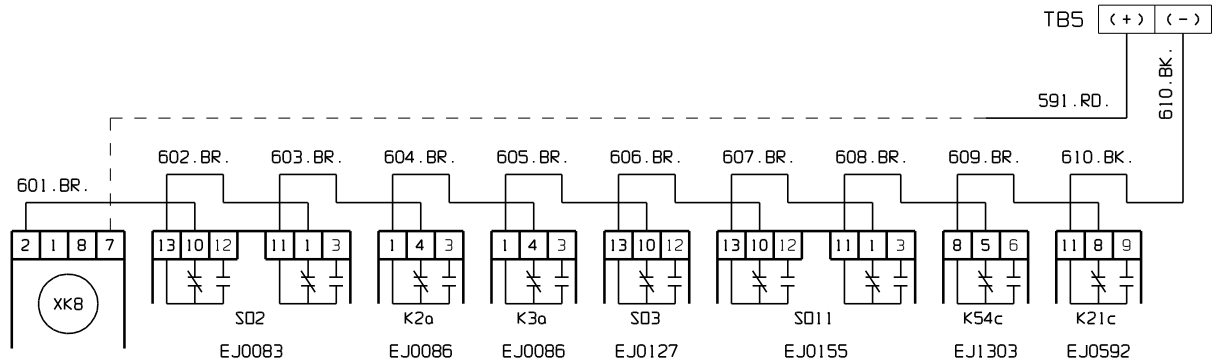
COMMON ALARM
STRING WITH:
EJ0120-XX
EJ0439-XX
EJ0592-XX
EJ0837-XX



COMMON ALARM
STRING WITH:
EJ0085-XX
EJ0137-XX
EJ1165-XX
EJ0837-XX

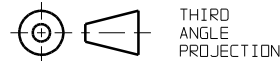


COMMON ALARM
STRING WITH:
EJ0083-XX
EJ0086-XX
EJ0127-XX
EJ0155-XX
EJ1303-XX
EJ0592-XX



GENERAL NOTE:

1) SAMPLE COMMON ALARM STRINGS DO NOT SHOW STANDARD WIRING TO BUZZER (AU1), FREE-WHEELING DIODE (CR63), RESISTORS (R61/R63), SWITCH (SW13), AND TERMINAL BLOCK (TB3) - SEE SHEET 2 OF 4 FOR STANDARD WIRING DIAGRAM



DRAWN BY *OK* 061085

APPROVED WKB 061085

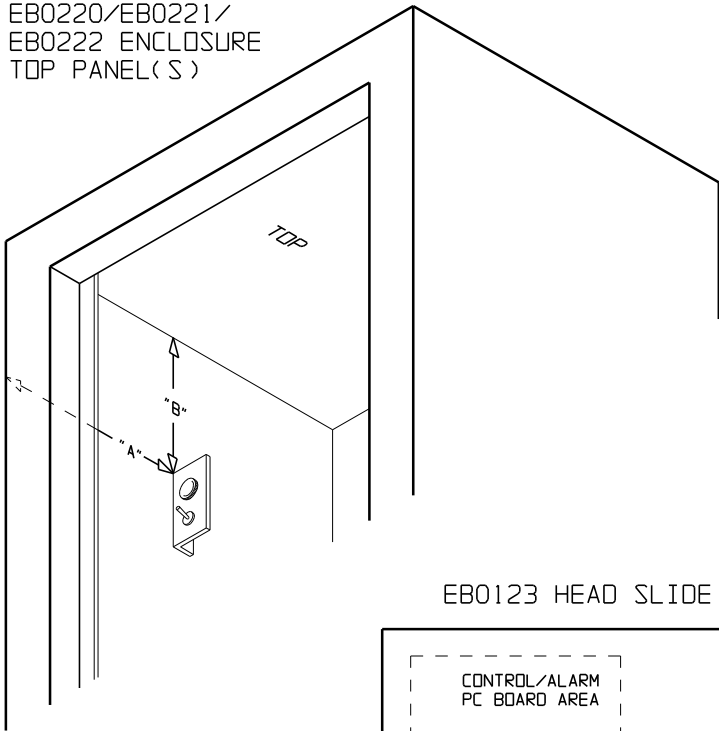
UNLESS OTHERWISE NOTED DIMENSIONS ARE IN INCHES. TOLERANCES ARE:

TITLE SCR/SCRF SERIES OPTION CONFIGURATION:
SAMPLE COMMON ALARM RELAY STRINGS

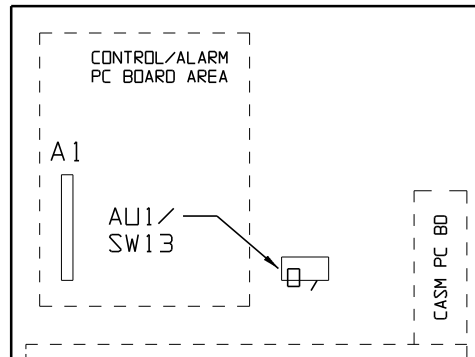
DRAWING No EJ0141-XX REV 5C A

SCALE NTS PART No EJ0141-XX SHEET 3 OF 4

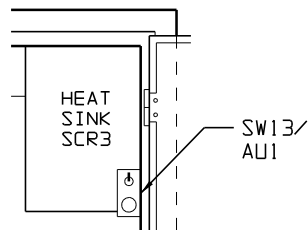
EB0220/EB0221/
EB0222 ENCLOSURE
TOP PANEL(S)



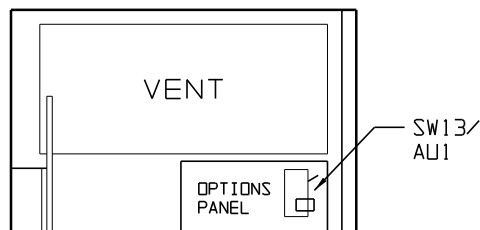
EB0123 HEAD SLIDE ASSY



EB0163/EB0198
RIGHT FRONT VIEW



EB0163/EB0198
INSIDE RIGHT VIEW



MOUNTING DIMENSIONS

CABINET	DIM "A"	DIM "B"
EB0220	2-3/4	5
EB0221	3	12
EB0222	3	19

EB0123:
MOUNT ASSEMBLY ON HEADSLIDE
NEAR BLEED RESISTOR (R1)

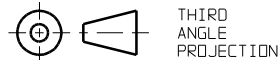
EB0163/EB0198:
MOUNT ASSEMBLY ON OPTIONS
PANEL TOWARDS FRONT

SPECIAL NOTES:

1) THIS ASSEMBLY EXISTS IN OPTIONS EJ0123, EJ0141 AND EJ0439

INSTALLATION:

- 1) FASTEN BUZZER AND SWITCH TO SILK-SCREENED BRACKET (FC0556-00) WITH INCLUDED HARDWARE
- 2) POSITION ASSEMBLED BRACKET IN CABINET AS SHOWN, FOLLOWING THE TABLE ABOVE FOR "A" & "B" DIMENSIONS, AND MARK POSITION OF MOUNTING HOLES
- 3) TRANSFER-DRILL TWO (2) 3/16in DIA MOUNTING HOLES
- 4) MOUNT ASSEMBLY TO CABINET WITH TWO (2) 8-32x1/2 RHMS, TYPE 10A LOADING (ROUND HEAD FACES OUTSIDE OF CABINET)



THIRD
ANGLE
PROJECTION

DRAWN BY *OK* 061085

APPROVED *WKB* 061085

UNLESS OTHERWISE NOTED DIMENSIONS
ARE IN INCHES. TOLERANCES ARE:

TITLE SCR/SCRF SERIES OPTION MOUNTING:
COMMON ALARM RELAY W/OPTIONAL BUZZER

DRAWING No **EJ0141-XX** REV **5C** **A**

SCALE **NTS** PART No **EJ0141-XX** SHEET **4** OF **4**