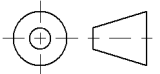
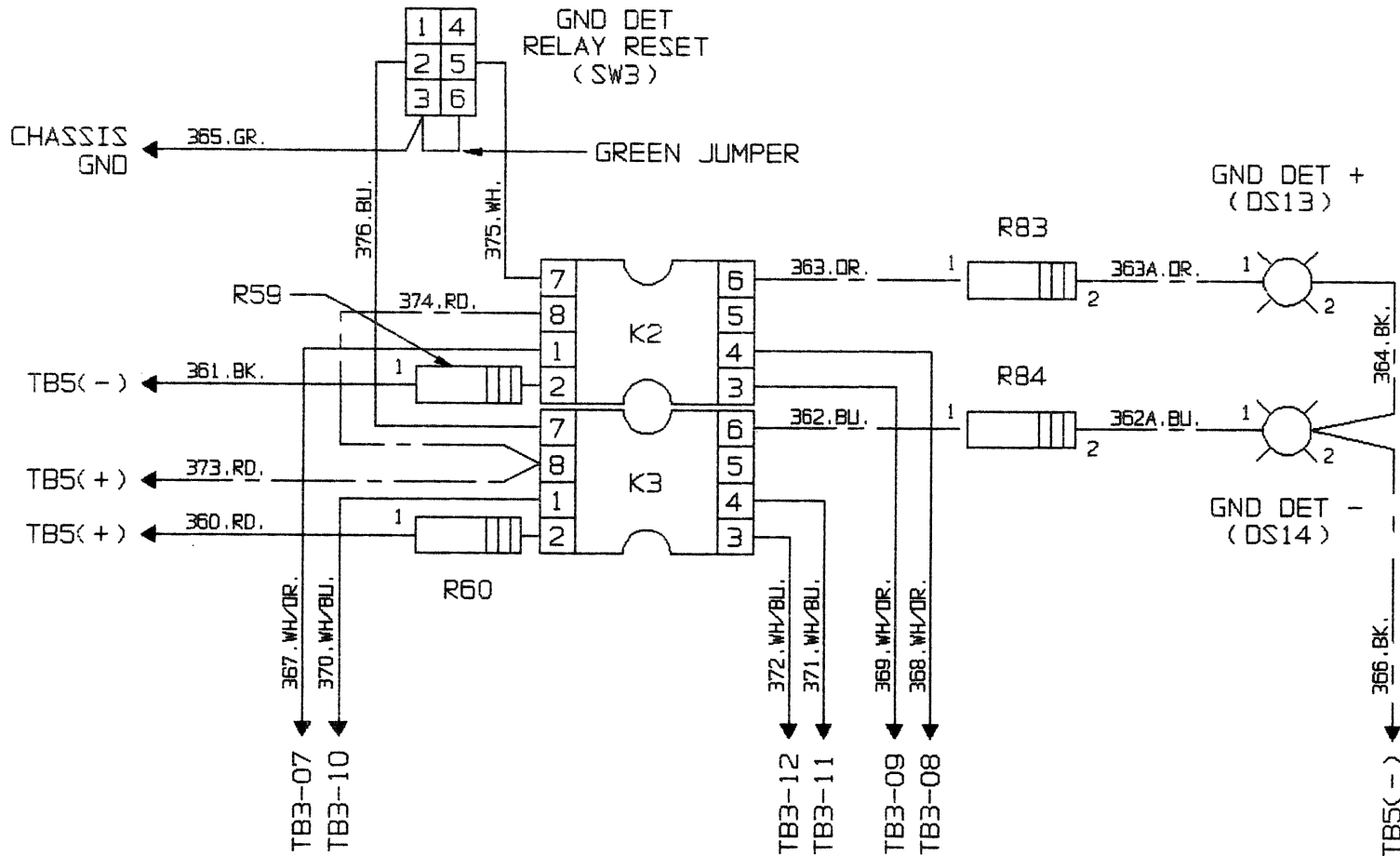


NOTES:

- 1) RELAY CONTACTS SHOWN IN NON-ALARM CONDITION.
- 2) IN OPTIONS EJ0086-01 THROUGH EJ0086-07, INDICATOR LIGHTS AND RESISTORS (DS13/R83 & DS14/R84) ARE NOT SUPPLIED, AND RELAY CONTACTS (K2b AND K3b) ARE NOT USED.
- 3) IN OPTIONS WITH INDICATORS (EJ0086-11 THROUGH EJ0086-17), R83 AND R84 ARE ONLY SUPPLIED IN 48VDC (EJ0086-15) AND 260VDC (EJ0086-17) VARIANTS.

3	21464	12/11/08	ND	 THIRD ANGLE PROJECTION	TITLE Ground Detection Alarm Relays w/Reset Switch & Opt Ind						
2B	9804	04/28/93	WAH								
2	4620	01/04/88	MTC	DRAWN BY	CIA	06/10/85	DWG No <h1 style="text-align: center;">EJ0086-XX</h1>	A REV 3B			
2	1712	06/17/85	WKB	APPROVED	WKB	06/17/85					
1	1225	01/03/85	WAH	UNLESS OTHERWISE NOTED, DIMENSIONS ARE IN INCHES AND TOLERANCES ARE:							
REV	ECN No	DATE	APP	SCALE	NTS	PART No	EJ0086-##	SHEET	1	OF	2

WIRE LIST ⁽³⁾	No.	CODE	FROM	TO	No.	CODE	FROM	TO	No.	CODE	FROM	TO	No.	CODE	FROM	TO
	360	RD	TB5(+)	R60-1	369	WH/OR	K2-3	TB3-9	376	BU	K3-7	SW3-2	363A ⁽²⁾	OR	R83-2	DS13-1
	361	BK	TB5(-)	R59-1	370	WH/BU	K3-1	TB3-10	JMP-1	GR	SW3-3	SW3-6	364	BK	DS13-2	DS14-2
	365	GR	CHASSIS GROUND	SW3-3	371	WH/BU	K3-4	TB3-11	362	BU	K3-5	R84-1	366	BK	DS14-2	TB5(-)
	367	WH/OR	K2-1	TB3-7	372	WH/BU	K3-3	TB3-12	362A ⁽²⁾	BU	R84-2	DS14-1	373	RD	TB5(+)	K3-8
368	WH/OR	K2-4	TB3-8	375	WH	K2-7	SW3-5	363	OR	K2-6	R83-1	374	RD	K3-8	K2-8	



NOTES:

- 1) IN OPTIONS EJ0086-01 THROUGH EJ0086-07, INDICATOR LIGHTS AND RESISTORS (DS13/R83 & DS14/R84), AND CORRESPONDING WIRES (AT END OF TABLE AND SHOWN DASHED) ARE NOT SUPPLIED.
- 2) IN OPTIONS WITH INDICATORS (EJ0086-11 THROUGH EJ0086-17), R83, R84 AND "A" WIRES ARE ONLY SUPPLIED IN 48VDC (EJ0086-15) AND 260VDC (EJ0086-17) VARIANTS.
- 3) ALL WIRE IS #20 AWG UNLESS OTHERWISE SPECIFIED, SEE EH0602-00 FOR HARNESS.

		THIRD ANGLE PROJECTION		
DRAWN BY	CIA	06/10/85	TITLE	Ground Detection Alarm Relays w/Reset Switch & Opt Ind
APPROVED	WKB	06/17/85	DWG No	<h1 style="text-align: center;">EJ0086-XX</h1>
UNLESS OTHERWISE NOTED, DIMENSIONS ARE IN INCHES AND TOLERANCES ARE:				
SCALE	NTS	PART No	EJ0086-##	SHEET 2 OF 2