

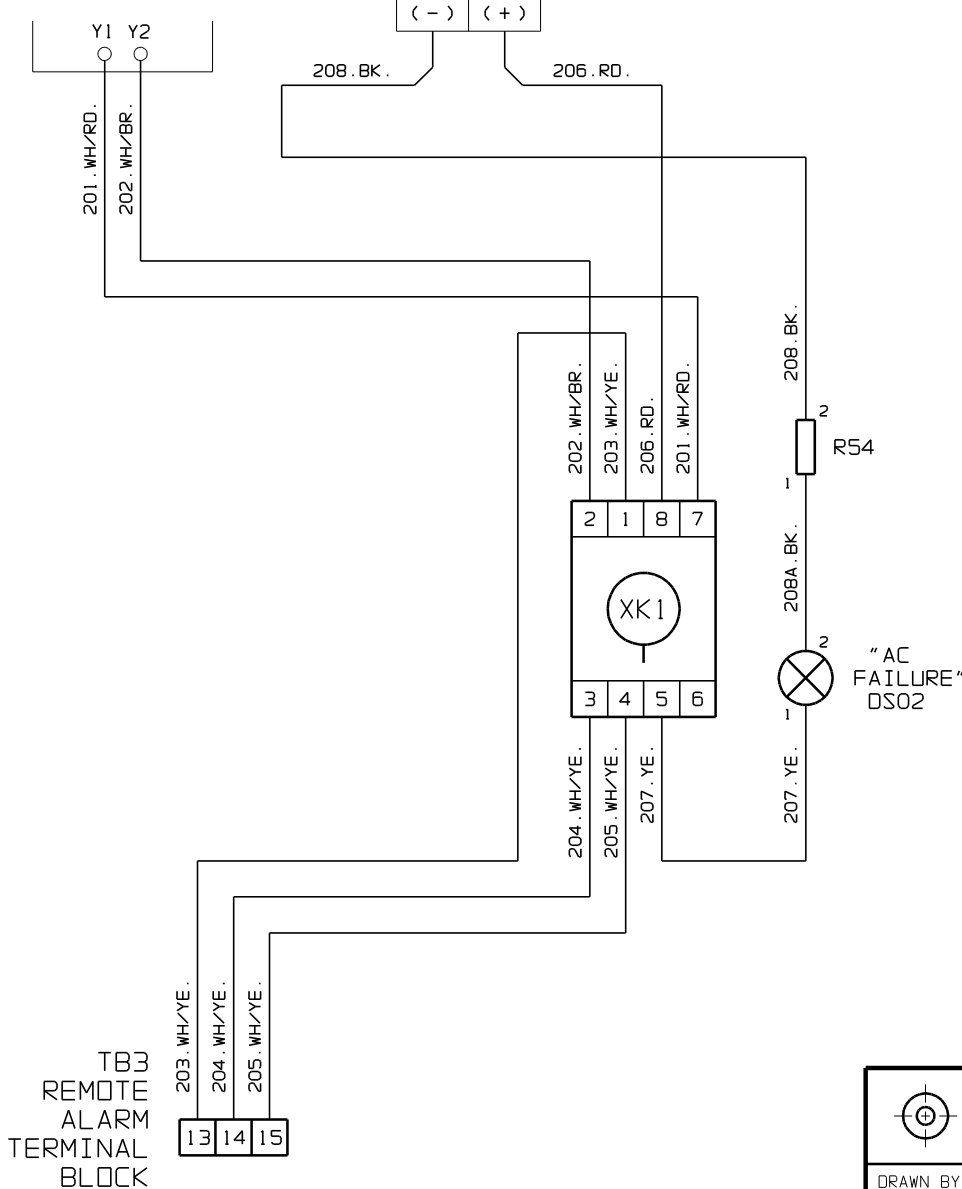
NOTES:

- 1) CONTACTS SHOWN IN NON-ALARM CONDITION.
- 2) RELAY CONTACT (K1) RATED FOR 1A @ 120 Vac.
- 3) DS02 NOT SUPPLIED WITH OPTION EJ0085-01.
- 4) R54 SUPPLIED ONLY WITH 48VDC & 260VDC VERSIONS OF OPTION (EJ0085-15 & -17).

5	21429	112708	ND	 THIRD ANGLE PROJECTION	TITLE SCR/SCRF SERIES AC FAILURE ALARM W/OPT INDICATING LIGHT: SCHEMATIC		
4D	20511	011907	MCT				
4C	16370	030899	RMH	DRAWN BY <i>QA</i>	060685	DRAWING No	
4B	6808	032190	MCT	APPROVED <i>WKB</i>	060785	EJ0085-XX	
4A	6240	071489	WAH	UNLESS OTHERWISE NOTED DIMENSIONS ARE IN INCHES. TOLERANCES ARE:		REV 5A	A
REV	ECN No	DATE	APP			SCALE NTS	PART No EJ0085-XX

TRANSFORMER
T1 (REF.)

TB5 (REF.)



WIRE LIST

No.	CODE	FROM	TO
201	WH/RD	T1-Y1	K1-7
202	WH/BR	T1-Y2	K1-2
203	WH/YE	TB3-13	K1-1
204	WH/YE	TB3-14	K1-3
205	WH/YE	TB3-15	K1-4

WIRE LIST W/IND
(SEE NOTE 2)

206	RD	TB5(+)	K1-8
207	YE	K1-5	DS02-1
208	BK	TB5(-)	R54-2/ DS02-2
208A	BK	DS02-2	R54-1
No.	CODE	FROM	TO

NOTES:

- 1) ALL WIRE IS #20 AWG UNLESS OTHERWISE SPECIFIED.
- 2) DS02, R54 AND WIRES #206-208 NOT SUPPLIED WITH OPTION EJ0085-01.
- 3) R54 AND WIRE# 208A SUPPLIED ONLY WITH 48VDC & 260VDC VERSIONS OF OPTION (EJ0085-15 & -17).

<p>THIRD ANGLE PROJECTION</p>		<p>TITLE SCR/SCRF SERIES AC FAILURE ALARM W/OPT INDICATING LIGHT: CONN DIAGRAM</p>	
<p>DRAWN BY <i>QA</i> 060685</p>	<p>APPROVED <i>WKB</i> 060785</p>	<p>DRAWING No EJ0085-XX</p>	<p>REV 5A A</p>
<p>UNLESS OTHERWISE NOTED DIMENSIONS ARE IN INCHES. TOLERANCES ARE:</p>		<p>SCALE NTS</p>	<p>PART No EJ0085-XX SHEET 2 OF 2</p>