

HIGH-LOW DC  
VOLTAGE ALARM  
PC BOARD ASSY. A2

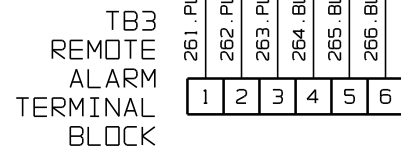
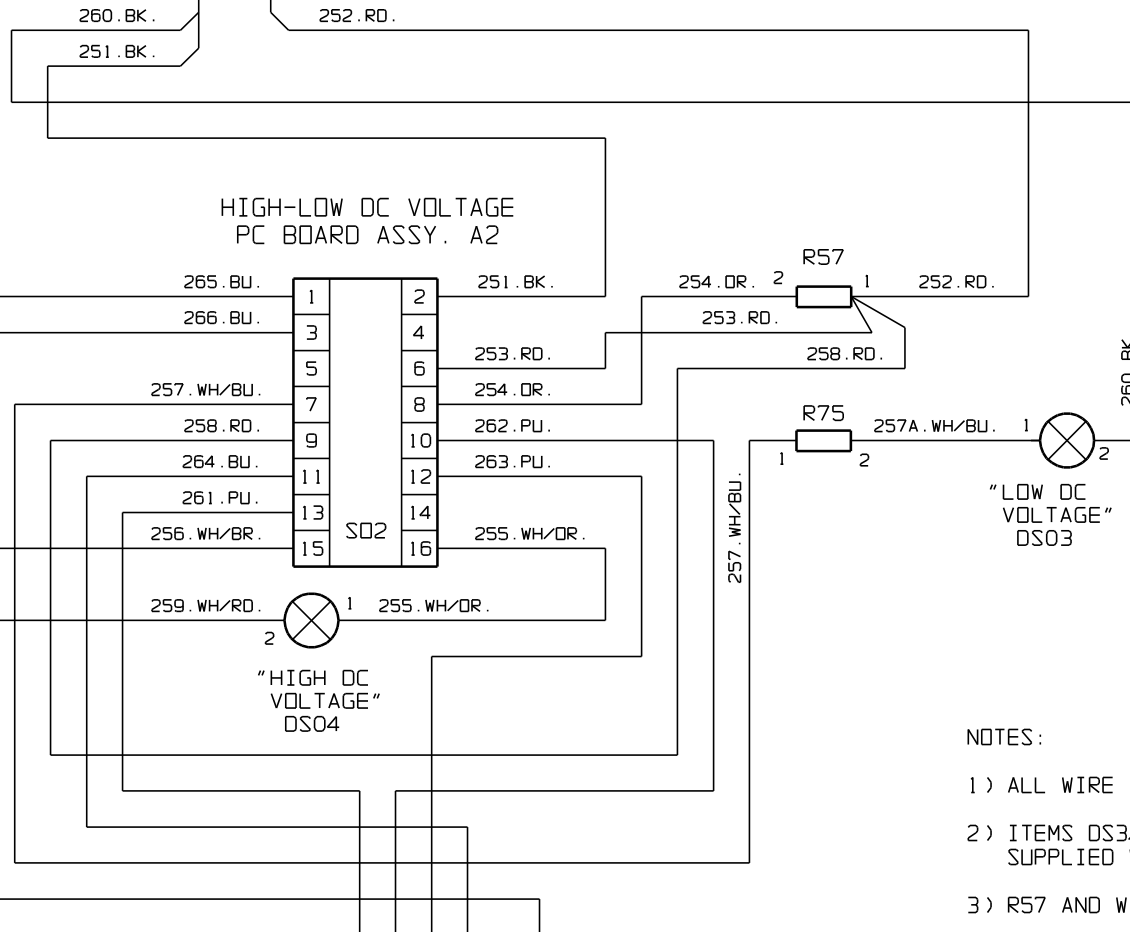
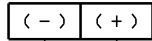
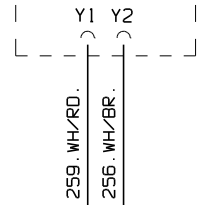
NOTES:

- 1) CONTACTS SHOWN IN NON-ALARM CONDITION.
- 2) ITEMS DS3/DS4/R75 NOT SUPPLIED WITH OPTIONS EJO083-01 THROUGH EJO083-07.
- 3) R57 NOT USED ON 12V CHGRs.
- 4) R75 NOT USED ON 12V & 24V CHGRs.

2C	20500	011307		 THIRD ANGLE PROJECTION	TITLE SCHEMATIC: SCR/SCRIF SERIES HIGH-LOW DC VOLTAGE ALARM W/OPT INDICATING LIGHTS		
2B	9995	061793	WAH				
2B	7114	071390	WAH	DRAWN BY <i>QA</i>	060685	DRAWING No <b>EJO083-XX</b>	
2A	6042	053089	WAH	APPROVED <i>WKB</i>	060685		
2	4920	011288	WAH	UNLESS OTHERWISE NOTED DIMENSIONS ARE IN INCHES. TOLERANCES ARE:		SCALE NTS PART No EJO083-XX SHEET 1 OF 2	
REV	ECN No	DATE	APP				

TRANSFORMER  
T1 (REF.)

TB5 (REF.)



WIRE LIST

No.	CODE	FROM	TO
251	BK	TB5(-)	SO2-2
252	RD	TB5(+)	R57-1T
253	RD	R57-1T	SO2-6
254	OR	R57-2B	SO2-8
255-	SEE INDICATOR WIRING BELOW		
260	SEE INDICATOR WIRING BELOW		
261	PU	SO2-13	TB3-1
262	PU	SO2-10	TB3-2
263	PU	SO2-12	TB3-3
264	BU	SO2-11	TB3-4
265	BU	SO2-1	TB3-5
266	BU	SO2-3	TB3-6

WIRE LIST W/IND  
(SEE NOTE 2)

No.	CODE	FROM	TO
255	WH/OR	SO2-16	DS4-1
256	WH/BR	SO2-15	T1-Y2
257	WH/BU	SO2-7	R75-1
257A	WH/BU	R75-2	DS3-1
258	RD	R57-1T	SO2-9
259	WH/RD	DS4-2	T1-Y1
260	BK	DS3-2	TB5(-)

NOTES:

- 1) ALL WIRE IS #20 AWG UNLESS OTHERWISE SPECIFIED.
- 2) ITEMS DS3/DS4/R75 AND WIRES #255-260 NOT SUPPLIED WITH EJO083-01 THROUGH EJO083-07.
- 3) R57 AND WIRE #258 NOT USED ON 12V CHGRs.
- 4) R75 AND WIRE #257A NOT USED ON 12V & 24V CHGRs.

<p>THIRD ANGLE PROJECTION</p>		<p>TITLE CONN DIAG: SCR/SCRF SERIES HIGH-LOW DC VOLTAGE ALARM W/OPT INDICATING LIGHTS</p>	
<p>DRAWN BY <i>QA</i> 060685</p>	<p>APPROVED <i>WKB</i> 060685</p>	<p>DRAWING No <b>EJO083-XX</b></p>	<p>REV 20 <b>A</b></p>
<p>UNLESS OTHERWISE NOTED DIMENSIONS ARE IN INCHES. TOLERANCES ARE:</p>		<p>SCALE NTS</p>	<p>PART No EJO083-XX SHEET 2 OF 2</p>