

FIG. 1 50/60 Hz

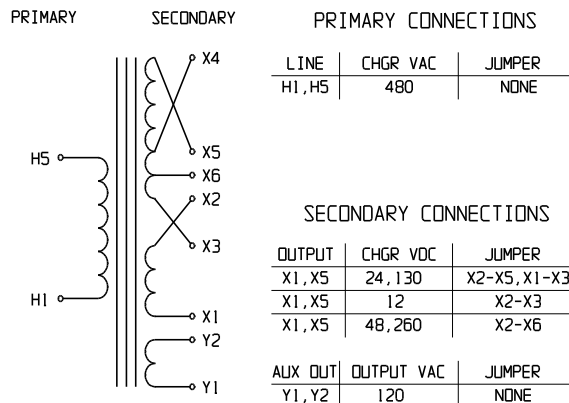


FIG. 2 60 Hz

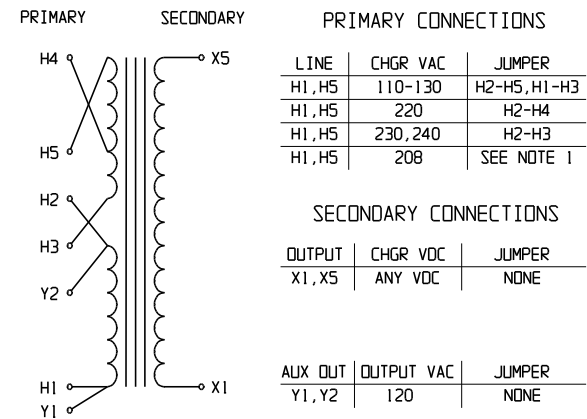


FIG. 3 50/60 Hz

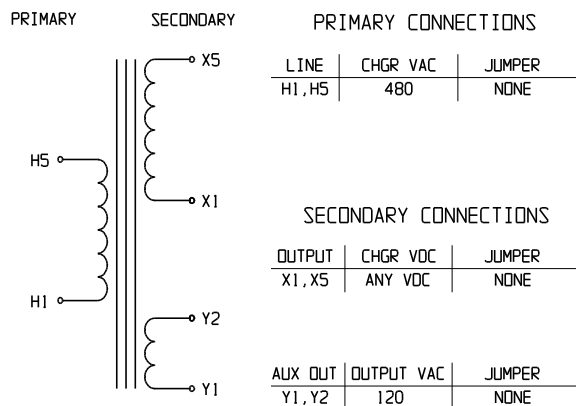


FIG. 4 60 Hz

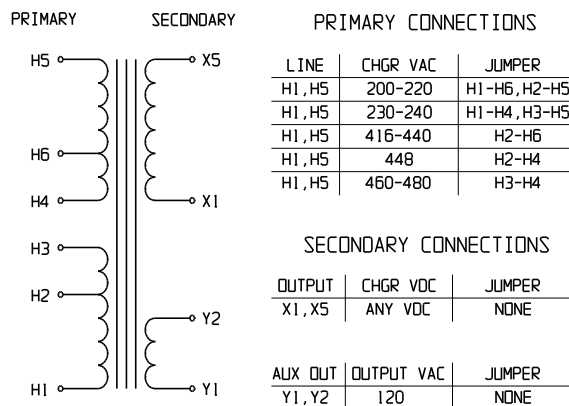


FIG. 5 60 Hz

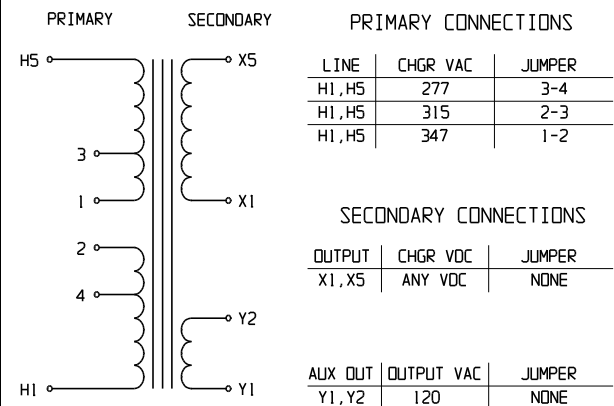


FIG. 6 60 Hz

NOTES:

1) PRIMARY CONNECTIONS FOR 208V INPUT ARE THE SAME FOR 220V INPUT, THE 208V TAP REPLACES THE 220V TAP.

2) ON ALL TRANSFORMERS
INPUT: H1 THRU H5
OUTPUT: X1 THRU X5

5	E0395	112503		THIRD ANGLE PROJECTION	TITLE TRANSFORMER (T1) SCHEMATICS: SINGLE-PHASE SCR/SCRf BATTERY CHARGER	
4	6535	112989	n/a			
3	1737	061785	WKB			DRAWN BY PAC 112989
2	1044	101784	n/a			APPROVED GRB 112503
1	175	111583	C.H			UNLESS OTHERWISE NOTED DIMENSIONS ARE IN INCHES. TOLERANCES ARE:
REV	ECN No	DATE	APP		DRAWING No EHO552-00	
					SCALE NTS PART No EHO552-00 SHEET 1 OF 1	