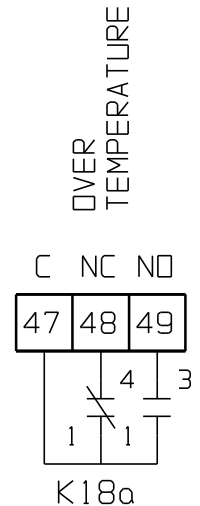


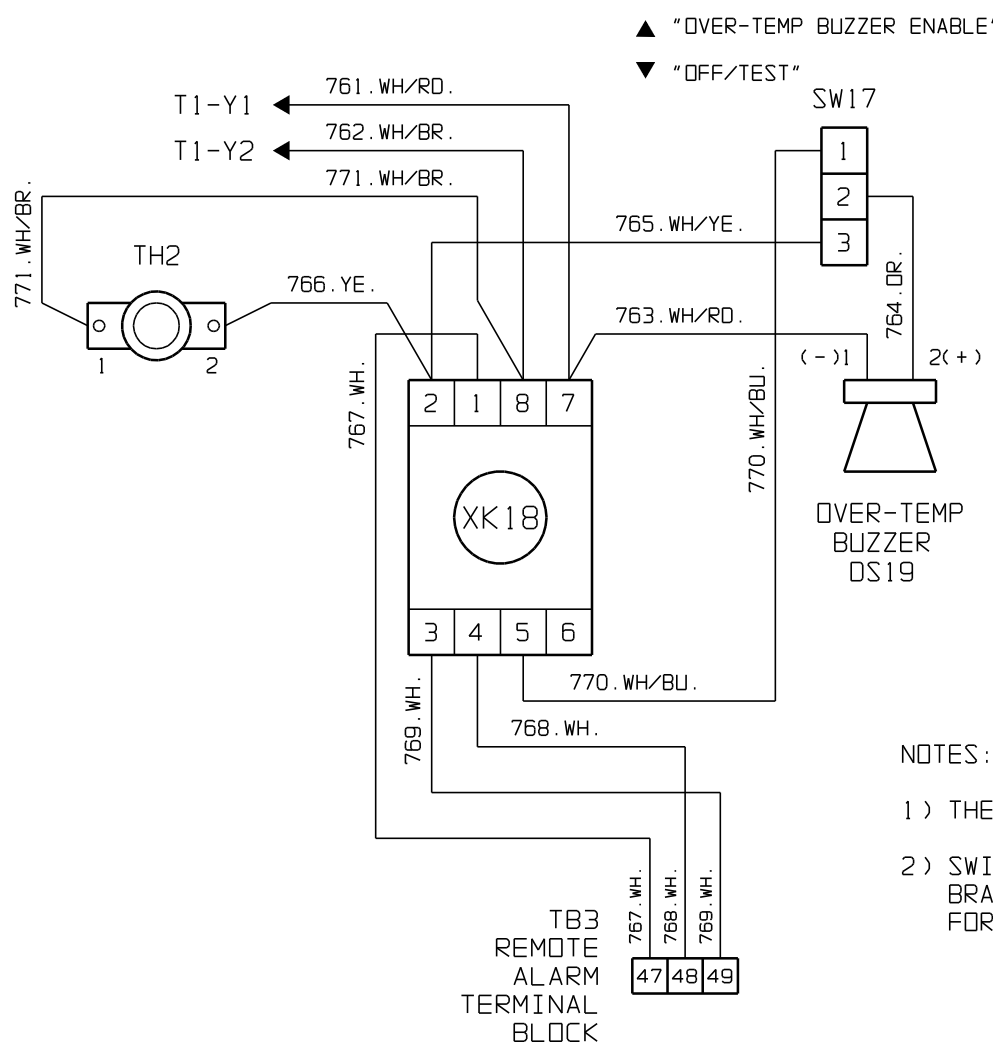
NOTES:

- 1) ALARM CONTACTS SHOWN IN NON-ALARM CONDITION.
CONTACT RATING: 0.5A 125VAC/DC RESISTIVE.
- 2) THERMOSTAT(S) TH2 CLOSE ON RISE (220°F) AND IS SELF-RESETTING.
- 3) K18b PROVIDES "CALL-BACK" FEATURE.
WHEN OVER-TEMPERATURE IS CORRECTED, RESET SWITCH SW17 TO "ENABLE" POSITION.

TB3
REMOTE ALARM
TERMINAL BLOCK
(SEE NOTE 1)



6	E1391	091903		 THIRD ANGLE PROJECTION	
5	E0083	051600	<i>WAH</i>		
4C	13191	061796	WAH	DRAWN BY	CIA 061785
4B	10712	021794	CWF	APPROVED	WAH 061785
4A	9634	030893	CWF	UNLESS OTHERWISE NOTED DIMENSIONS ARE IN INCHES. TOLERANCES ARE:	
REV	ECN No	DATE	APP		
				TITLE	
				SCR/SCRF SERIES OPTION SCHEMATIC: OVER TEMPERATURE ALARM W/BUZZER	
				DRAWING No	
				EJ0439-01	
				REV	
				6	
				A	
				SCALE	
				NTS	
				PART No	
				EJ0439-01	
				SHEET	
				1 OF 3	



WIRE LIST				
No.	AWG	CODE	FROM	TO
761	20	WH/RD	K18-7	T1-Y1
762	20	WH/BR	K18-8	TY-Y2
763	20	WH/RD	K18-7	DS19-1
764	20	DR	DS19-2	SW17-2
765	20	WH/YE	K18-2	SW17-3
766	20	YE	K18-2	TH2-2
767	20	WH	K18-1	TB3-47
768	20	WH	K18-4	TB3-48
769	20	WH	K18-3	TB3-49
770	20	WH/BU	K18-5	SW17-1
771	20	WH/BR	K18-8	TH2-1

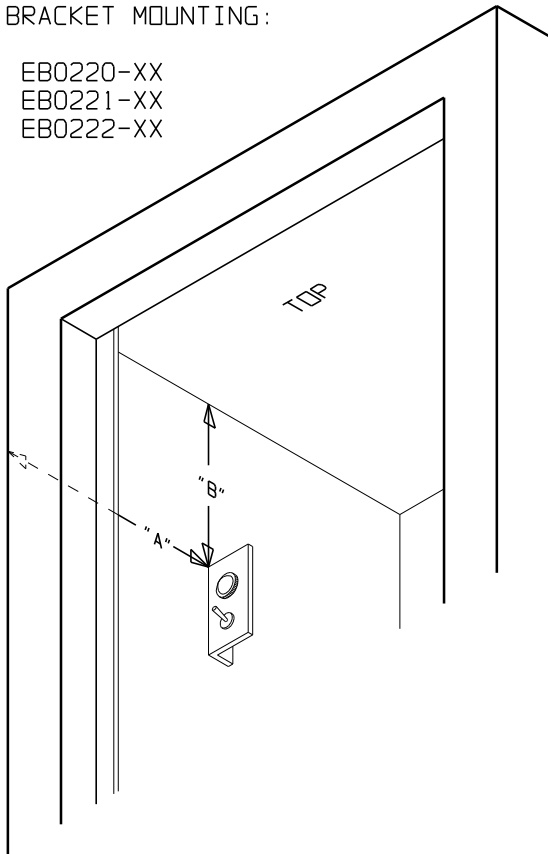
NOTES:

- 1) THERMOSTAT (TH2) MOUNTED ON TOP OF SCR1 HEATSINK.
- 2) SWITCH (SW17) AND BUZZER (DS19) ARE MOUNTED ON BRACKET (FC0556-00) INSIDE CABINET. SEE SHEET 3 FOR MECHANICAL ASSEMBLY.

<p>THIRD ANGLE PROJECTION</p>				
DRAWN BY	CIA	061785	TITLE SCR/SCRF SERIES OPTION CONN DIAGRAM: OVER TEMPERATURE ALARM W/BUZZER	
APPROVED	WAH	061785	DRAWING No EJ0439-01	
UNLESS OTHERWISE NOTED DIMENSIONS ARE IN INCHES. TOLERANCES ARE:			REV	6
SCALE		NTS	PART No	EJ0439-01
		SHEET	2	OF 3

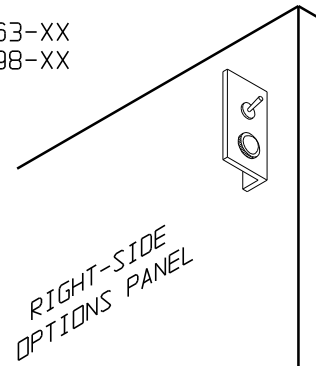
BRACKET MOUNTING:

EB0220-XX
EB0221-XX
EB0222-XX



BRACKET MOUNTING:

EB0163-XX
EB0198-XX



MOUNTING DIMENSIONS

CABINET	DIM "A"	DIM "B"
EB0220	2-3/4	5
EB0221	3	12
EB0222	3	19
EB0123	MOUNT ASSEMBLY ON HEADSLIDE NEAR R1	
EB0163 EB0198	MOUNT ASSEMBLY ON RIGHT-SIDE OPTIONS PANEL IN FORWARD UPPER CORNER	

INSTALLATION:

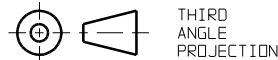
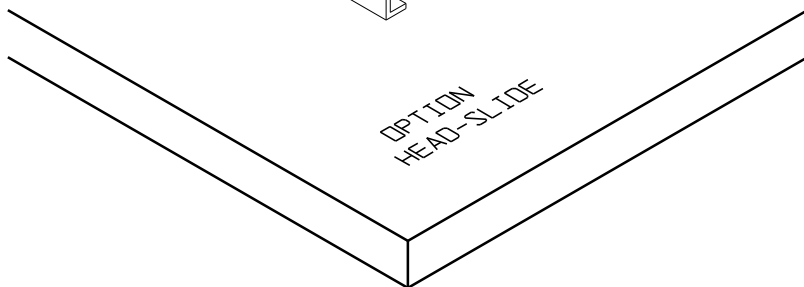
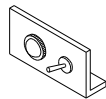
- 1) LABEL BRACKET (FC0556-00) USING SILKSCREEN (IA0193-00).
- 2) FASTEN BUZZER AND SWITCH TO BRACKET WITH INCLUDED HARDWARE.
- 3) POSITION ASSEMBLED BRACKET IN CABINET AS SHOWN, FOLLOWING THE TABLE ABOVE FOR "A" & "B" DIMENSIONS, AND MARK POSITION OF MOUNTING HOLES.
- 4) TRANSFER-DRILL TWO (2) 3/16in DIA MOUNTING HOLES.
- 5) MOUNT ASSEMBLY TO CABINET WITH TWO (2) 8-32x1/2 RHMS, TYPE 10A LOADING (ROUND HEAD FACES OUTSIDE OF CABINET).

SPECIAL NOTE:

- 1) THIS ASSEMBLY PROCEDURE FOR BRACKET (FC0556-00) IS VALID FOR SIMILAR MOUNTING IN OPTIONS EJ0123, EJ0141 & EJ0967.

BRACKET MOUNTING:

EBO123-XX



THIRD ANGLE PROJECTION

DRAWN BY CIA 061785

APPROVED WAH 061785

UNLESS OTHERWISE NOTED DIMENSIONS ARE IN INCHES. TOLERANCES ARE:

TITLE SCR/SCRF SERIES OPTION SCHEMATIC: OVER TEMPERATURE ALARM W/BUZZER

DRAWING No EJ0439-01

REV 6 A

SCALE NTS PART No EJ0439-01

SHEET 3 OF 3