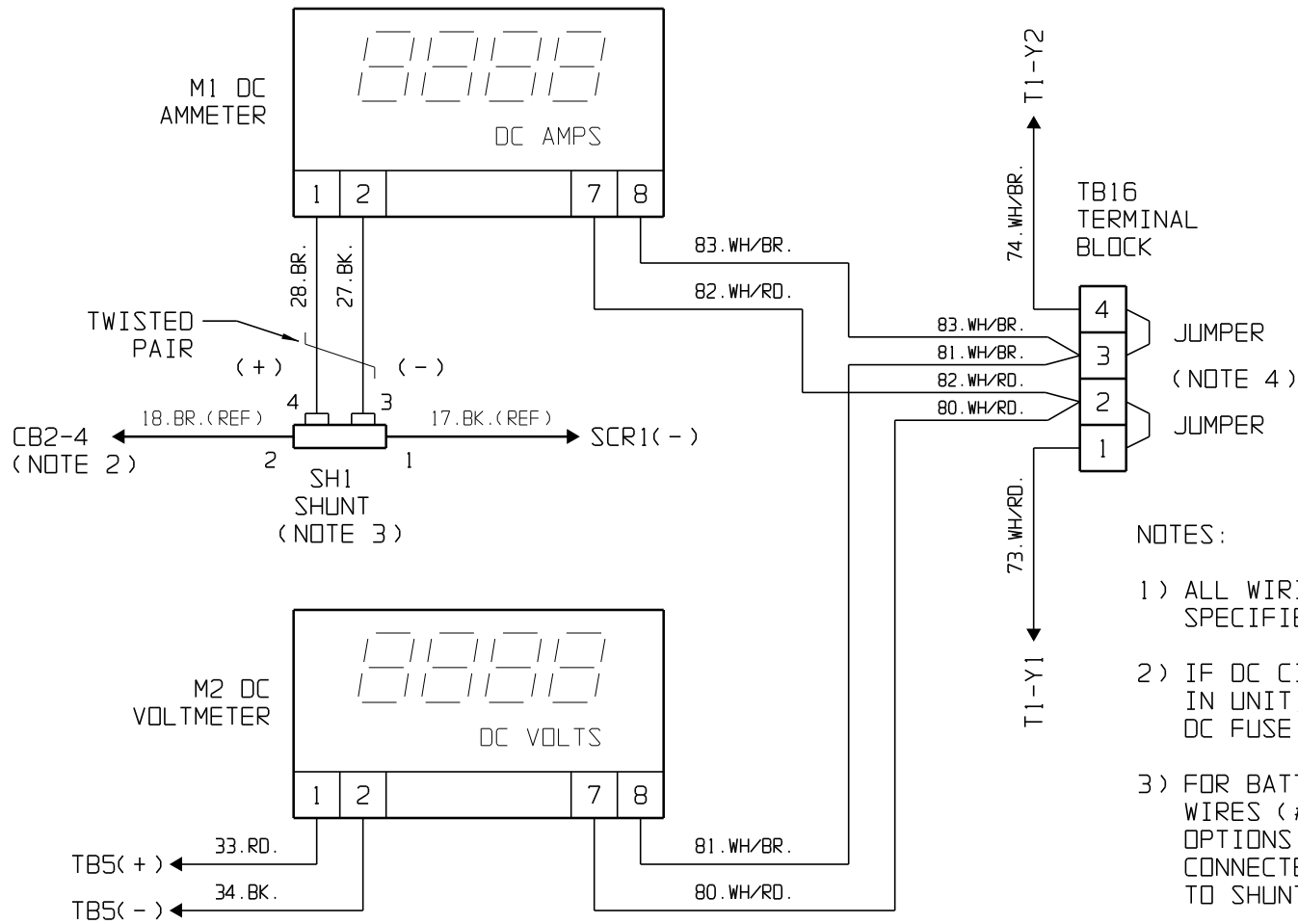


NOTES:

- 1) IF DC CIRCUIT BREAKER (CB2) IS NOT SUPPLIED IN CHARGER, SH2-1 CONNECTS TO REDUNDANT DC FUSE (F2-1).
- 2) TO PROVIDE EXTERNAL POWER TO DIGITAL METERS, REMOVE JUMPERS AND APPLY 120VAC @ 3VA/METER TO TERMINALS 2 AND 3 ON TB16 TERMINAL BLOCK.
- 3) FOR BATTERY CHARGERS RATED < 50ADC, ALL CONNECTIONS FOR OPTIONS (EJ0133, EJ0837, etc.) NORMALLY MADE DIRECTLY TO M1(+/-) ARE MADE TO SHUNT SH1(4+/3-).

6	20546	020907		 THIRD ANGLE PROJECTION	TITLE SCR/SCRF SERIES OPTION SCHEMATIC: 0.1% ACCURACY DIGITAL DC METERS (ADC/VDC)						
5	E0020	031000	MCT								
4	12220	071195	MCT	DRAWN BY <i>CZA</i> 061693 APPROVED WKB 062493	DRAWING No		REV				
3A	11014	051694	WKB	UNLESS OTHERWISE NOTED DIMENSIONS ARE IN INCHES. TOLERANCES ARE:	EJ0895-XX		6	A			
3	10261	083093	WKB		SCALE	NTS	PART No	EJ0895-XX	SHEET	1	OF
REV	ECN No	DATE	APP								



WIRING LIST			
No.	CODE	FROM	TO
27	BK	SH1-3	M1-2
28	BR	SH1-4	M1-1
33	RD	TB5(+)	M2-1
34	BK	TB5(-)	M2-2
73	WH/RD	T1-Y1	TB16-1
74	WH/BR	T1-Y2	TB16-4
80	WH/RD	M2-7	TB16-2
81	WH/BR	M2-8	TB16-3
82	WH/RD	M1-7	TB16-2
83	WH/BR	M1-8	TB16-3

NOTES:

- 1) ALL WIRING IS #20 AWG, UNLESS OTHERWISE SPECIFIED.
- 2) IF DC CIRCUIT BREAKER (CB2) IS NOT SUPPLIED IN UNIT, WIRE# 18.BR. CONNECTS TO REDUNDANT DC FUSE (F2-1).
- 3) FOR BATTERY CHARGERS RATED < 50ADC, ALL WIRES (# 528, 529, 822, 835, etc.) FOR OPTIONS (EJ0133, EJ0837, etc.) NORMALLY CONNECTED DIRECTLY TO M1(+/-) ARE CONNECTED TO SHUNT SH1(4+/3-).
- 4) FABRICATE AND CONNECT TWO (2) JUMPERS, EACH WITH 2in OF WIRE AND TWO (2) NON-INSULATED SPADE LUGS ON EACH END.

THIRD ANGLE PROJECTION			
DRAWN BY <i>CZA</i> APPROVED <i>WKB</i>	061693 062493	TITLE SCR/SCRF SERIES OPTION CONN DIAGRAM: 0.1% ACCURACY DIGITAL DC METERS (ADC/VDC)	
UNLESS OTHERWISE NOTED DIMENSIONS ARE IN INCHES. TOLERANCES ARE:		DRAWING No EJ0895-XX	REV 6 A
SCALE	NTS	PART No	EJ0895-XX
		SHEET	2 OF 2