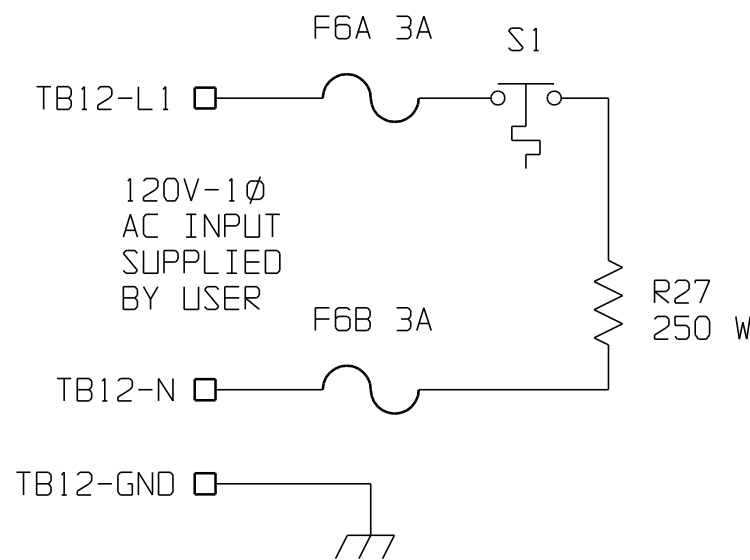


W I R E L I S T				
WIRE No.	LENGTH	AWG	FROM	TO
211		14	TB12-L1	F6A-1
212		14	F6A-2	S1-1
213		14	S1-2	R27-1
214		14	R27-2	F6B-2
215		14	F6B-1	TB12-N
216		12	TB12-G	CHASSIS GROUND



NOTE:

- 1) THERMOSTAT (S1) OPENS ON RISE AT 80°F AND IS SELF-RESETTING.
- 2) COMPONENTS ARE CONNECTED WITH FLAME-RETARDANT SWITCHBOARD INSULATION TYPE WIRING, IDENTIFIED ON EACH END WITH NUMBER-CODED MARKERS. GROUND WIRE# 216 IS GREEN WITH YELLOW STRIPE. ALL WIRE RATED 105°C AND 600V. INSULATION SATISFIES NEMA WC-5 COLD BEND TO -40°C AND UL-62 (VW-1) VERTICAL FLAME RESISTANCE.
- 3) STYLE-5018 CABINET HEATER ASSEMBLY IS MANUFACTURER'S INTERNAL PART NUMBER EJ5042-00.

				THIRD ANGLE PROJECTION		TITLE CUSTOMER INSTRUCTIONS AT SERIES BATT CHGR CABINET HEATER ASSEMBLY - STYLE-5018	
				DRAWN BY MCR 050606		DRAWING No JA5060-03	
				APPROVED		REV 0 B	
0	20201	050606		UNLESS OTHERWISE NOTED DIMENSIONS ARE IN INCHES. TOLERANCES ARE:		SCALE NTS PART No JA5060-03 SHEET 1 OF 1	
REV	ECN No	DATE	APP				