

Fig. 1 60 Hz

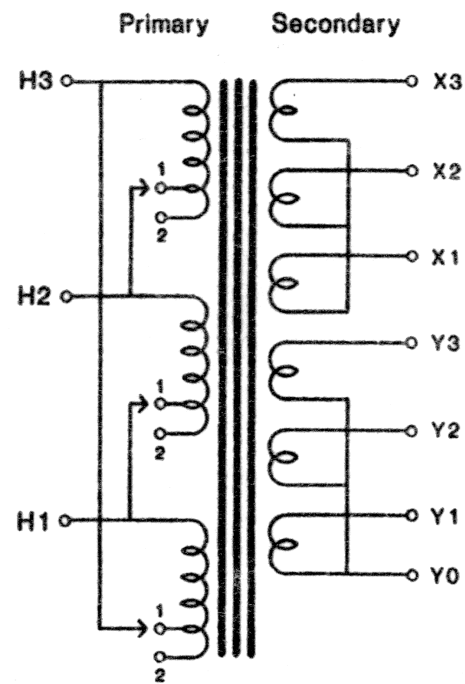


Fig. 2 60 Hz

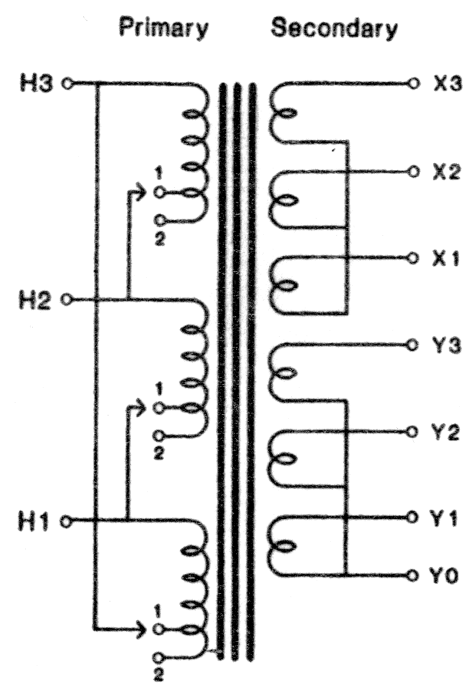


Fig. 3 50 Hz

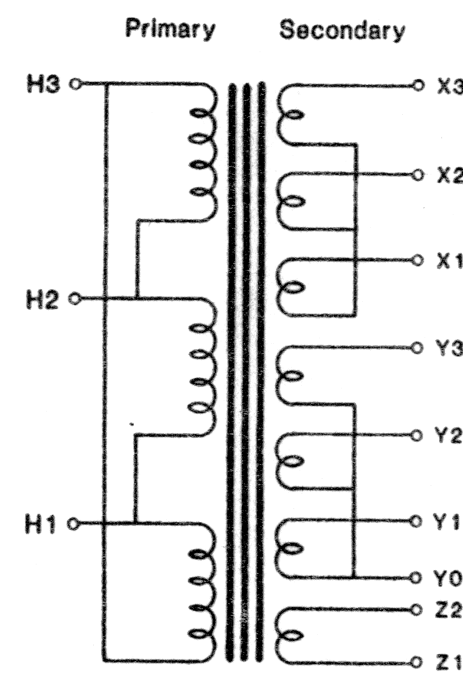


Fig. 4 50 or 60 Hz

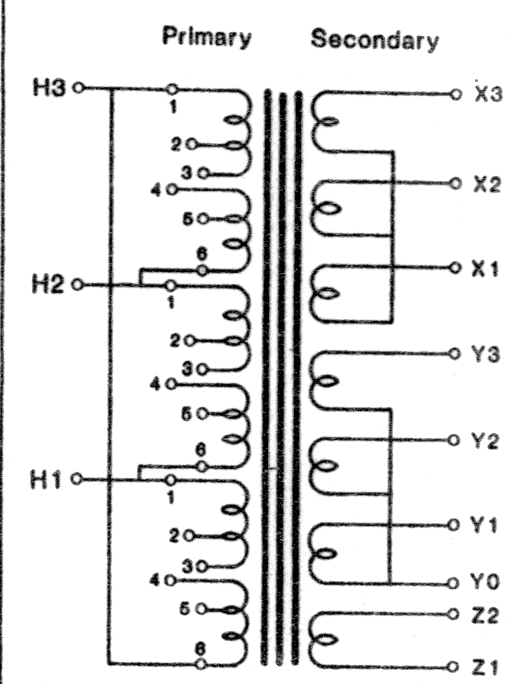


Fig. 5 60 Hz

Primary Connections

INPUT	CONNECTION	JUMPER
480	H1, H2, H3	NONE

Secondary Connections

OUTPUT	CONNECTION	JUMPER
CHARGER	X1, X2, X3	NONE
120 VAC	Y1, Y2, Y3, Y0	NONE

Primary Connections

INPUT	CONNECTION	JUMPER
208, 220	H1, H2, H3	H1, H2, H3 to 1
230, 240	H1, H2, H3	H1, H2, H3 to 2
300, 550	H1, H2, H3	H1, H2, H3 to 1
575, 600	H1, H2, H3	H1, H2, H3 to 2

Secondary Connections

OUTPUT	CONNECTION	JUMPER
CHARGER	X1, X2, X3	NONE
120 VAC	Y1, Y2, Y3, Y0	NONE

Primary Connections

INPUT	CONNECTION	JUMPER
380, 400	H1, H2, H3	H1, H2, H3 to 1
416	H1, H2, H3	H1, H2, H3 to 2

Secondary Connections

OUTPUT	CONNECTION	JUMPER
CHARGER	X1, X2, X3	NONE
120 VAC	Y1, Y2, Y3, Y0	NONE

Primary Connections

INPUT	CONNECTION	JUMPER
ANY VAC	H1, H2, H3	NONE

Secondary Connections

OUTPUT	CONNECTION	JUMPER
CHARGER	X1, X2, X3	NONE
120 VAC	Y1, Y2, Y3, Y0	NONE
120 VAC	Z1, Z2	NONE

Primary Connections

INPUT	CONNECTION	JUMPER
208, 220	H1, H2, H3	1 to 5 & 2 to 6
230, 240	H1, H2, H3	1 to 4 & 3 to 6
416, 440	H1, H2, H3	2 to 5
448	H1, H2, H3	3 to 5
460, 480	H1, H2, H3	3 to 4

Secondary Connections

OUTPUT	CONNECTION	JUMPER
CHARGER	X1, X2, X3	NONE
120 VAC	Y1, Y2, Y3, Y0	NONE
120 VAC	Z1, Z2	NONE

NOTES:

1) Not all transformers have Z1/Z2 winding.

5	21407	11/19/08	ND		THIRD ANGLE PROJECTION		1075 Saint John Street Easton, PA 18042-6661 Phone 610.330.9000 Fax 610.330.8510 www.hindlepowerinc.com	
4	6535	11/29/89	N/A					
3	5836	08/04/86	WAH	DRAWN BY	CIA	08/04/86	TITLE Schematics: SCR/SCRF Series 3PH Transformer (T1)	
2	3036	05/22/86	WKB	APPROVED	WLC	08/04/86	DWG No	
1	2724	04/16/86	WKB	UNLESS OTHERWISE NOTED, DIMENSIONS ARE IN INCHES AND TOLERANCES ARE:			<h1 style="margin: 0;">EH0553-00</h1>	
REV	ECN No	DATE	APP	SCALE		NTS	PART No	EH0553-00
							SHEET	1 OF 1