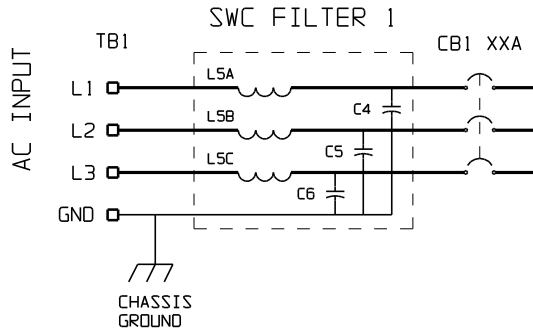


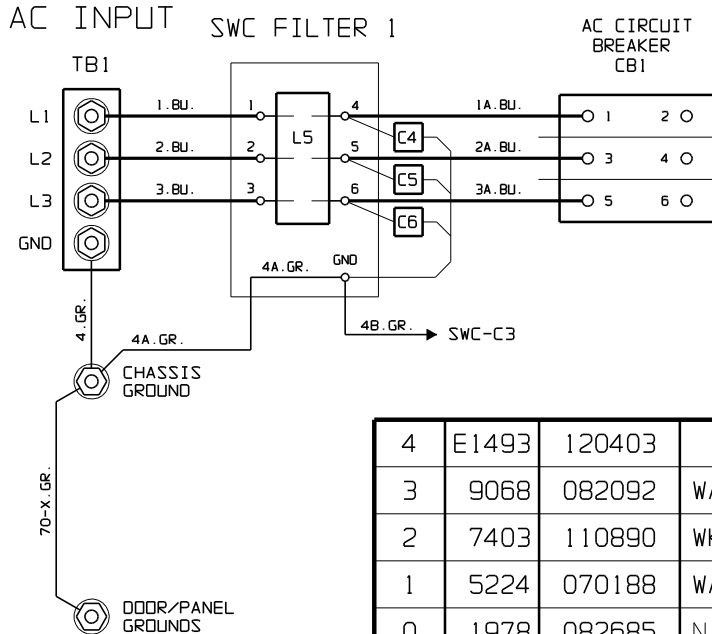
SCHEMATIC:
3PH AC SWC FILTER

3PH AC SWC FILTER
COMPONENTS:
C4
C5
C6
L5A/B/C



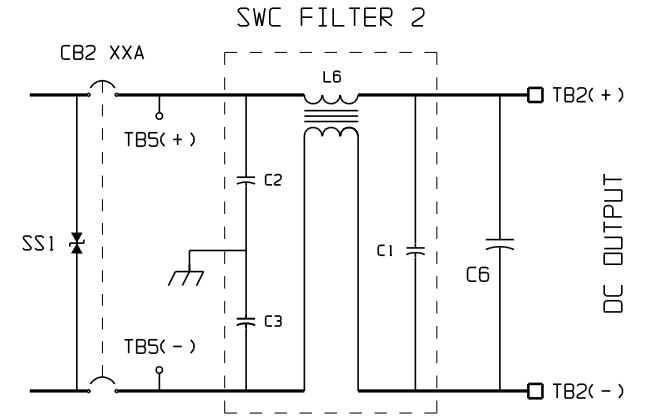
OTHER COMPONENTS
PART OF CHARGER
MAINFRAME

CONNECTION DIAGRAM:
3PH AC SWC FILTER



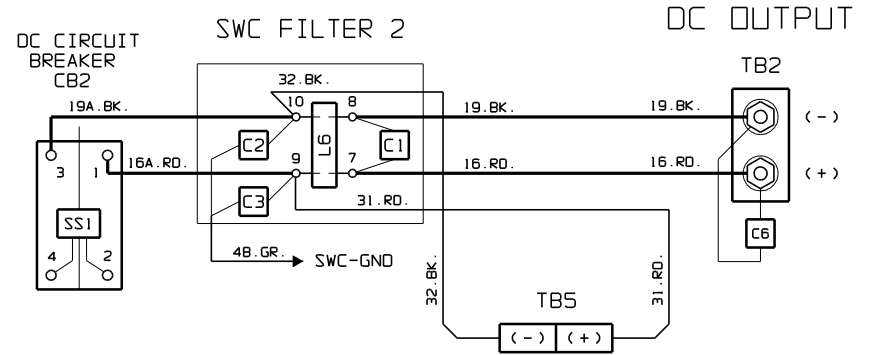
SCHEMATIC:
DC SWC FILTER

DC SWC FILTER
COMPONENTS:
C1
C2
C3
L6

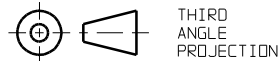


OTHER COMPONENTS
PART OF CHARGER
MAINFRAME

CONNECTION DIAGRAM:
DC SWC FILTER



4	E1493	120403	
3	9068	082092	WAH
2	7403	110890	WKB
1	5224	070188	WAH
0	1978	082685	N/A
REV	ECN No	DATE	APP



DRAWN BY MCR 120403

APPROVED

UNLESS OTHERWISE NOTED DIMENSIONS
ARE IN INCHES. TOLERANCES ARE:

TITLE SCR/SCRF SERIES BATTERY CHARGER
SWC FILTER OPTION - THREE PHASE INPUT

DRAWING No JE0126-00 REV 4 A

SCALE NTS PART No JE0126-00 SHEET 1 OF 1