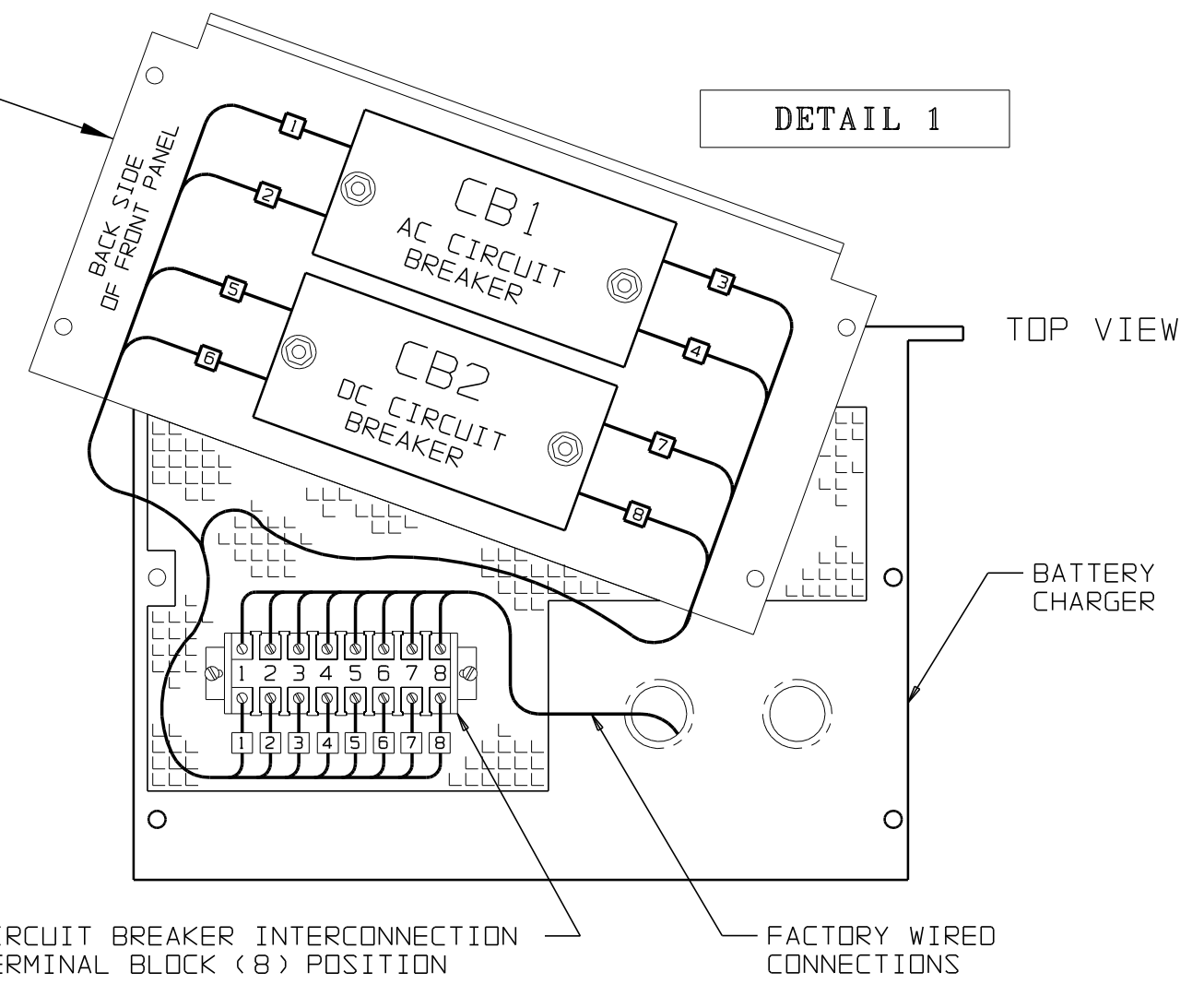
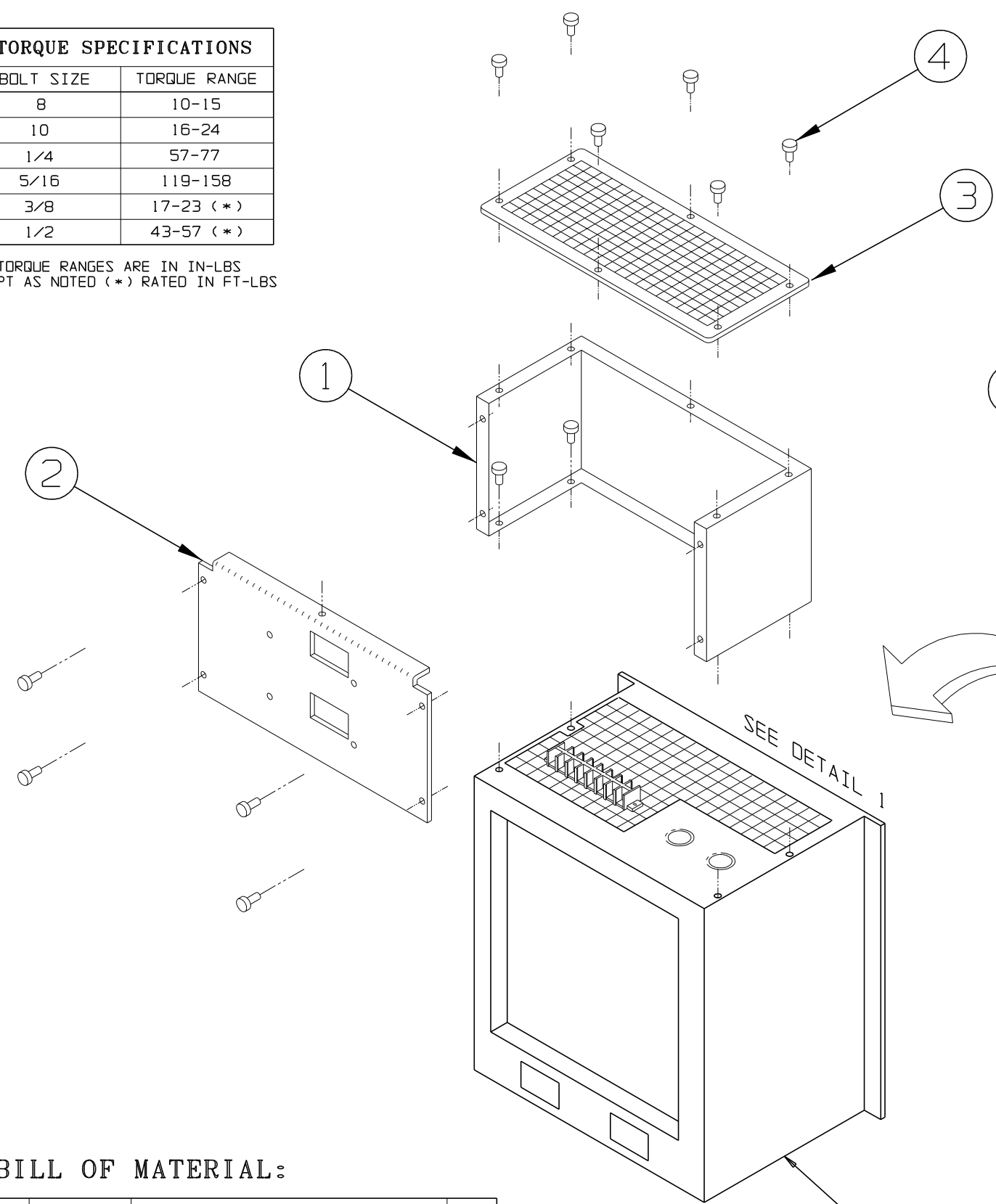


RECOMMENDED PROCEDURE

- 1) UNSCREW PENTHOUSE TOP (#3) AND FRONT PANEL (#2) FROM PENTHOUSE SHROUD (#1).
- 2) TEMPORARILY POSITION FRONT PANEL (#2) ON TOP OF BATTERY CHARGER AS SHOWN IN DETAIL 1. CONNECT WIRES #1 THRU #8 TO TERM. BLOCK POSITIONS #1 THRU #8.
- 3) POSITION PENTHOUSE SHROUD (#1) ON TOP OF BATTERY CHARGER. FASTEN SHROUD TO CHARGER WITH (4) 8-32 x .5 SELF TAPPING SCREWS (#4).
- 4) POSITION PENTHOUSE PANEL (#2) ON SHROUD (#1) AND FASTEN WITH (4) 8-32 x .5 SELF TAPPING SCREWS (#4). (NOTE: "ON" POSITION OF CIRCUIT BREAKER WILL BE ON LEFT). VERIFY THAT WIRES ARE NOT PINCHED OR PULLED. DRESS WIRES WITH WIRE TIES PROVIDED.
- 5) FASTEN TOP PANEL (#3) TO SHROUD (#1) WITH (6) 8-32 x .5 SELF-TAP SCREWS (#4).

TORQUE SPECIFICATIONS	
BOLT SIZE	TORQUE RANGE
8	10-15
10	16-24
1/4	57-77
5/16	119-158
3/8	17-23 (*)
1/2	43-57 (*)

ALL TORQUE RANGES ARE IN IN-LBS EXCEPT AS NOTED (*) RATED IN FT-LBS



BILL OF MATERIAL:

ITEM NUMBER	PART No.	DESCRIPTION	QTY
①	FE0599-00	BKT, PENTHOUSE SHROUD, AT10	1
②	FE0601-01	BKT, PENTHOUSE FRONT PANEL, AT10	1
③	FE0600-00	BKT, PENTHOUSE TOP PANEL, AT10	1
④	PE0 -00	SCW, ZPS, COMB-SERR-WH, F, 8-32x.5	14

				THIRD ANGLE PROJECTION			
				DRAWN BY <i>PAC</i> 071790 APPROVED N/A N/A	TITLE AT10.1 (GRP I) FIELD INSTALLATION INSTRUCTIONS MEDIUM/HIGH AIC CIRCUIT BREAKERS		
1	21737	071809	ND			DRAWING No. JD5027-00	
0	N/A	071790	N/A	UNLESS OTHERWISE NOTED DIMENSIONS ARE IN INCHES. TOLERANCES ARE:		REV 1	B
REV	ECN No	DATE	APP	SCALE NTS	PART No. JD5027-00	SHEET 1 OF 1	