

8

7

6

5

4

3

2

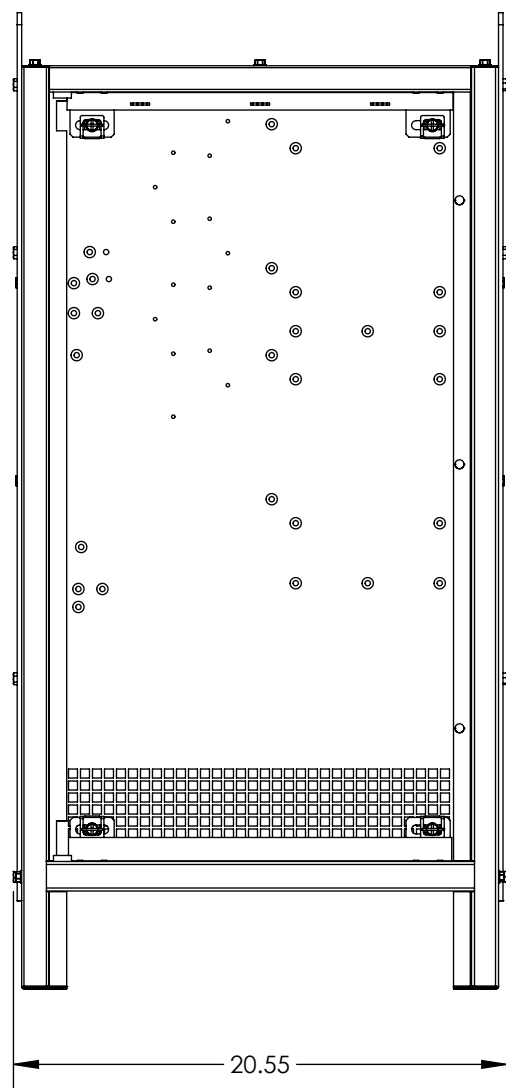
1

D

C

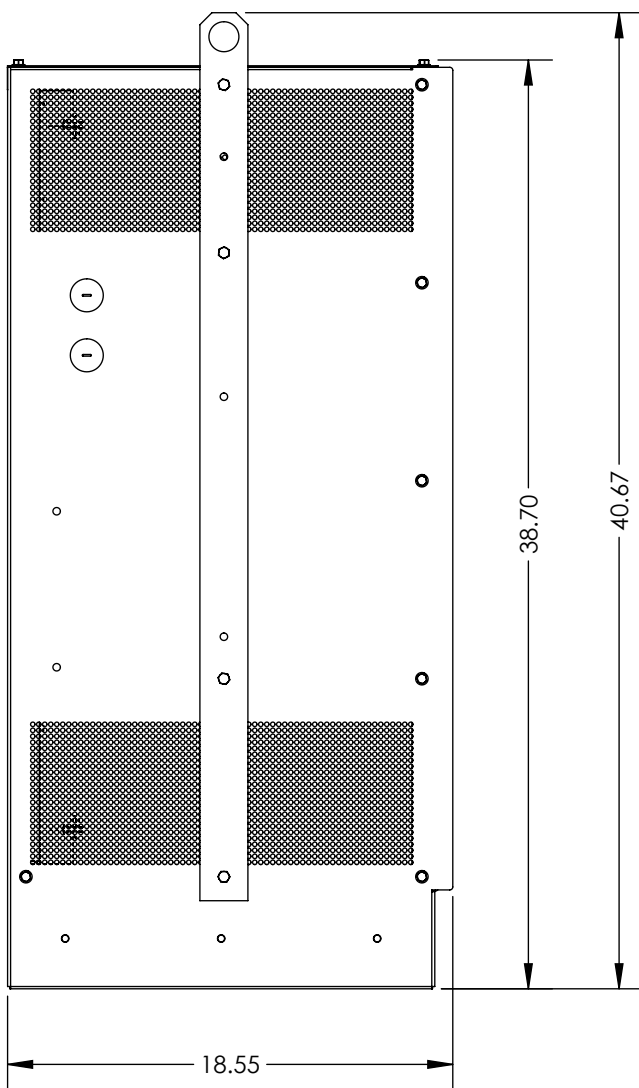
B

A



FRONT VIEW

20.55

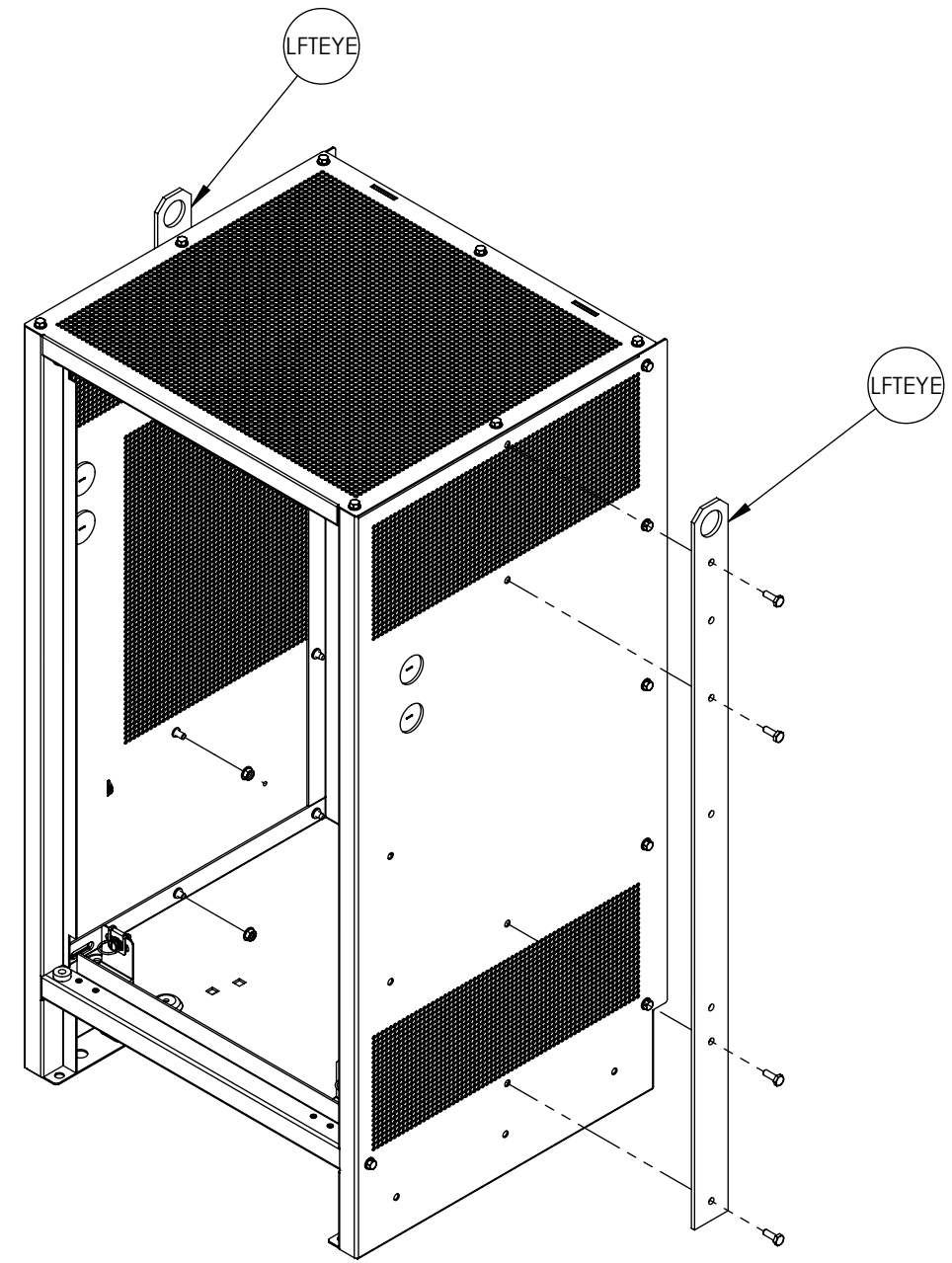


RIGHT VIEW

18.55

38.70

40.67



ISO VIEW

INSTRUCTIONS:

1. LOCATE TWO (2) LIFTING EYE BRACKETS (FC5053-00) TO SIDES OF STYLE-5070 ENCLOSURE AS SHOWN.
2. PUNCH KNOCK-OUTS IN CENTER OF SIDES.
3. MOUNT BRACKETS IN EIGHT (8) PLACES WITH 1/4-20 HARDWARE SUPPLIED IN BOM.

C:\Hindle Vault\Parts Directory\E - Assemblies\EI - Mechanical Assemblies\EI5048\EI5048-50

REV. 0	DRN BY	CHK BY	APP BY	DATE 12/7/2021	DRN BY <i>KJB</i>	DATE: 12/7/2021	HINDLEPOWER
DESCRIPTION Initial Release					CHK BY <i>MCR</i>	DATE: 12/7/2021	
<small>UNLESS OTHERWISE SPECIFIED ALL DIMENSIONS FOLLOW THE ANSI SYSTEM IPS (INCHES-POUNDS & SECONDS) TOLERANCES ARE: FRAC. ±1/64, DEC. ±0.015, ANG ±.25°</small>					APP BY <i>MCR</i>	DATE: 12/7/2021	
<small>PROPRIETARY AND CONFIDENTIAL NOTICE ANY REPRODUCTION, PARTIAL OR AS A WHOLE OF THIS DOCUMENT WITHOUT THE WRITTEN PERMISSION OF HINDLE POWER, INC IS STRICTLY PROHIBITED.</small>							TITLE ATEVO OPTIONS ACSY,BKTS,LIFTING.EYE,STYLE-5070 LIFTING-EYE BRACKET ASSEMBLY
			B	SCALE 1:8	DWG No EI5048-50	REV 0	SHEET 1 OF 1

8

7

6

5

4

3

2

1