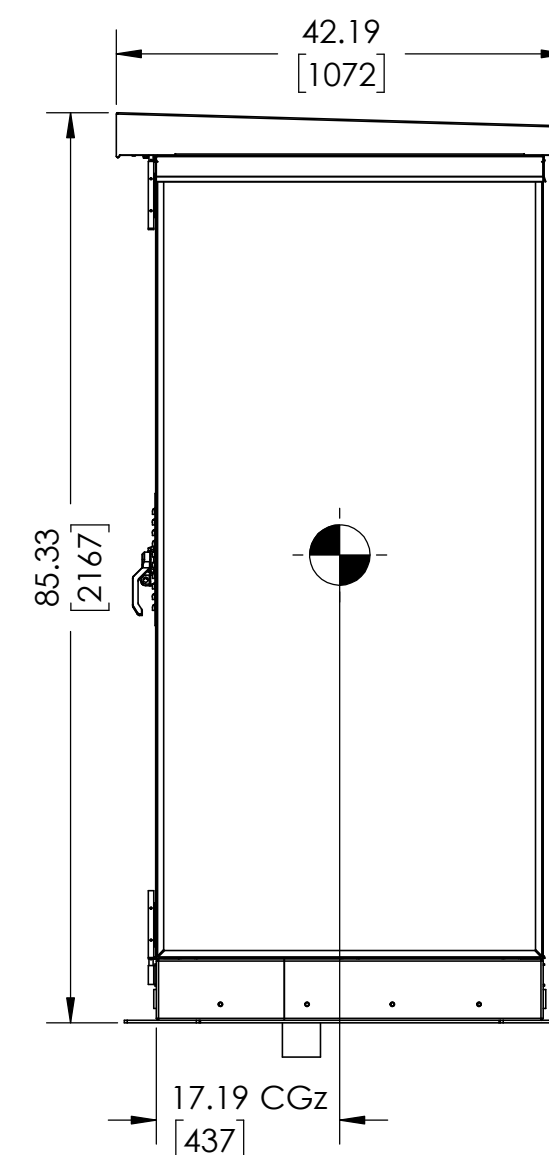
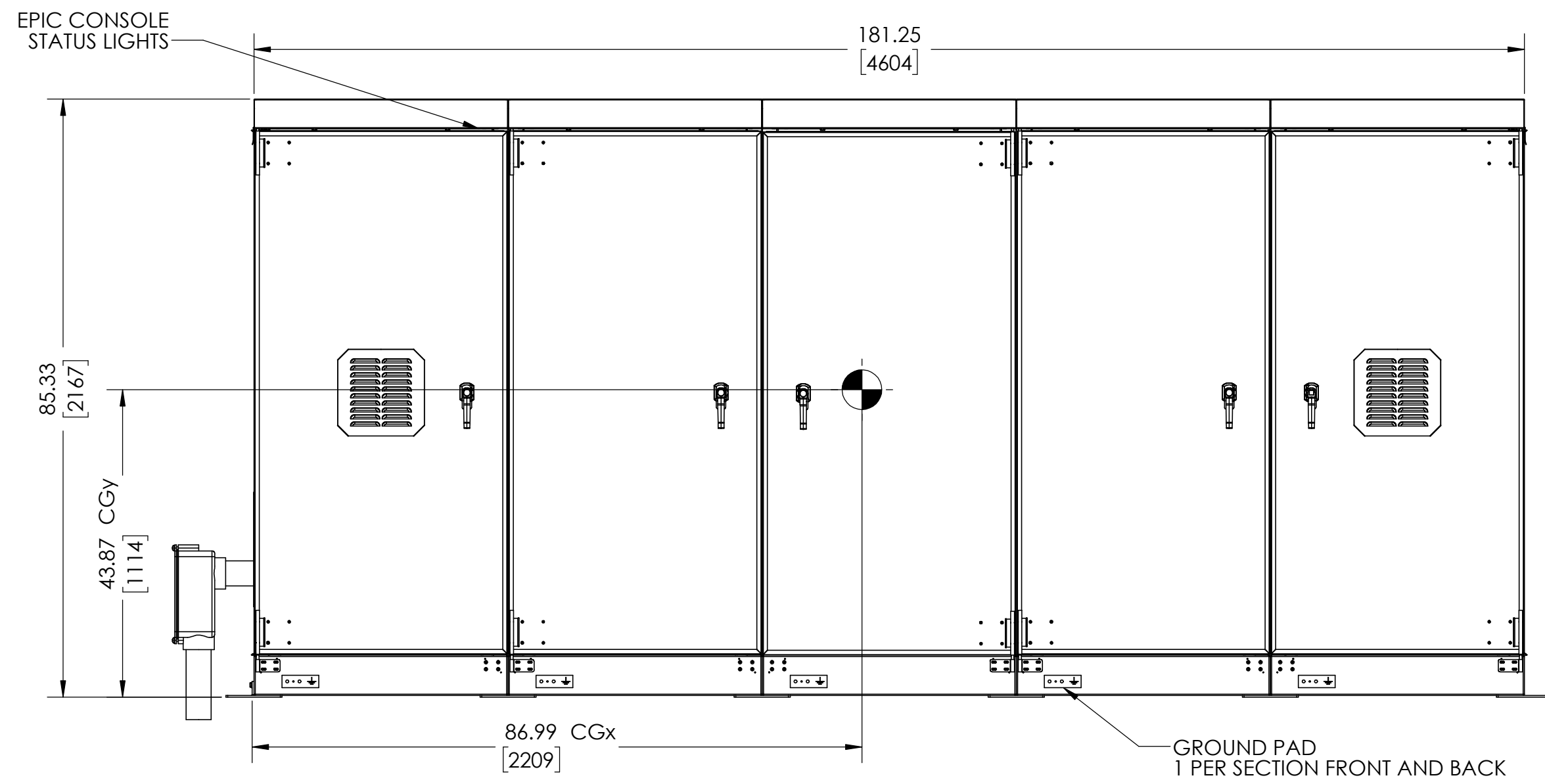
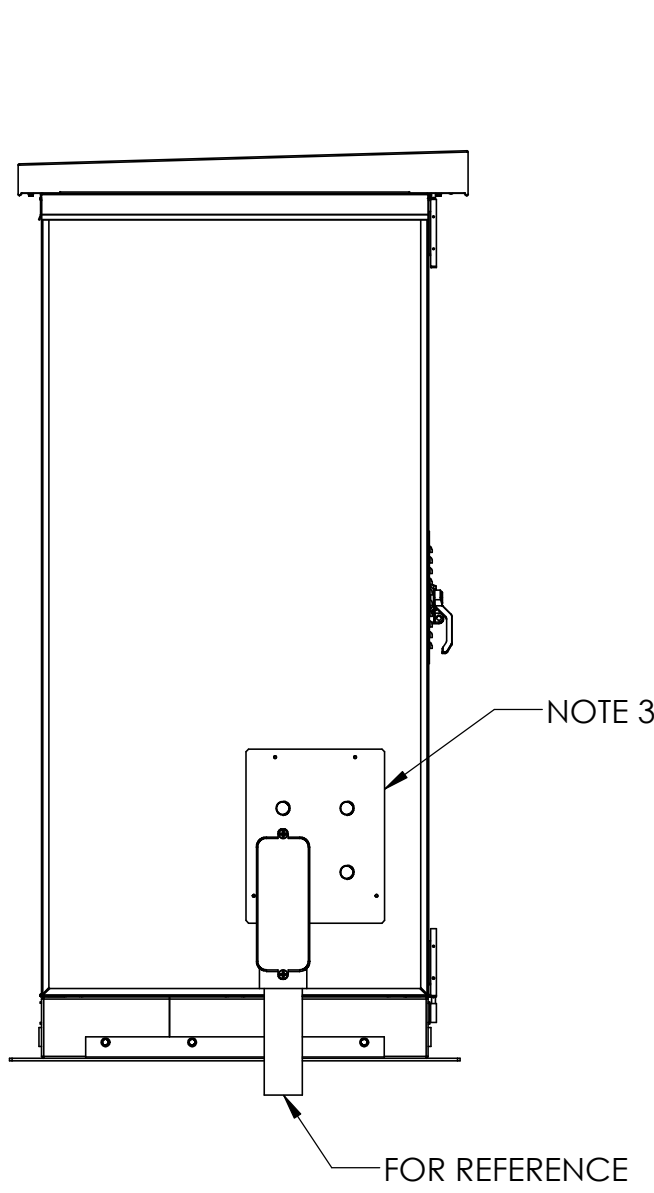
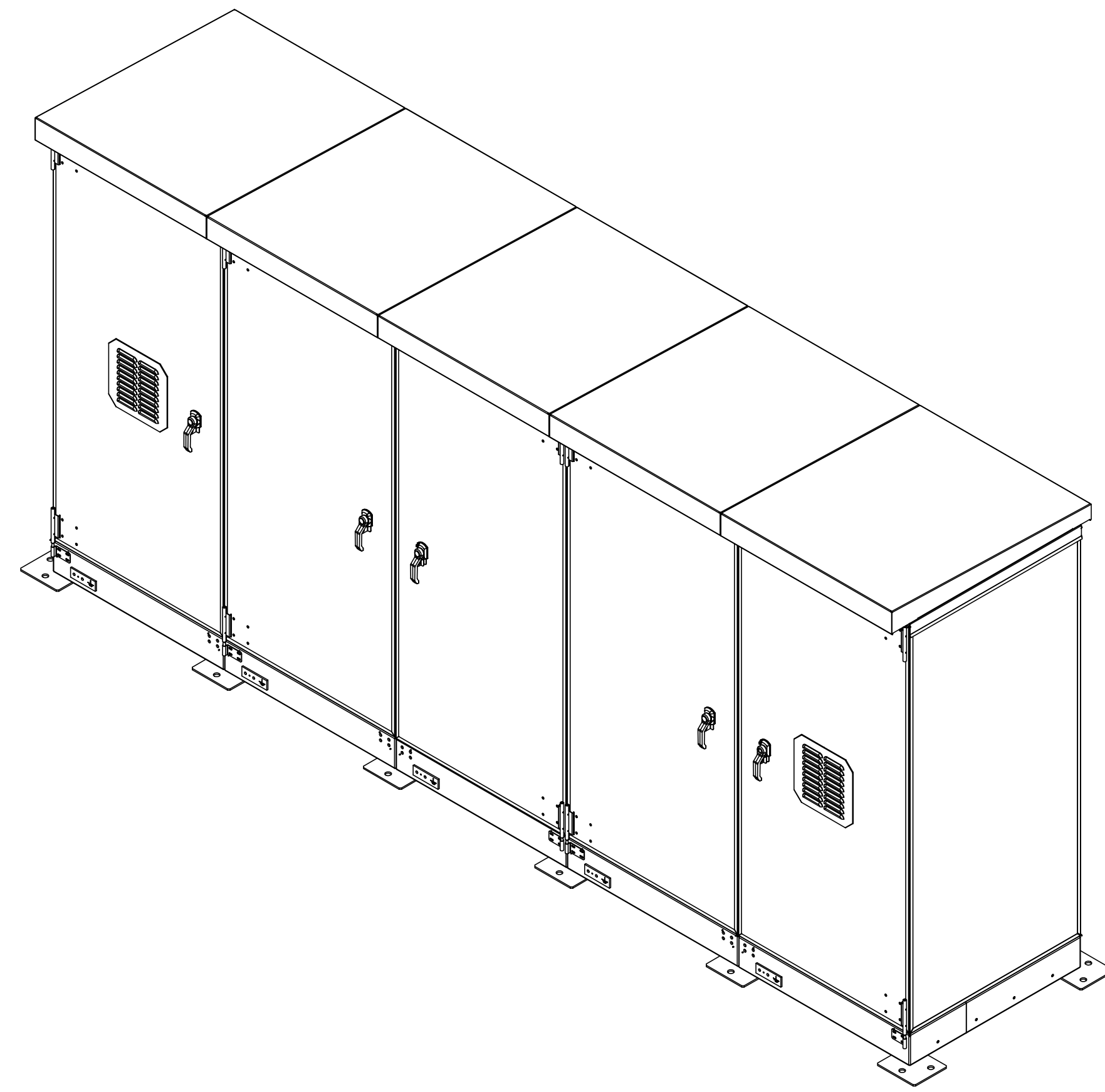
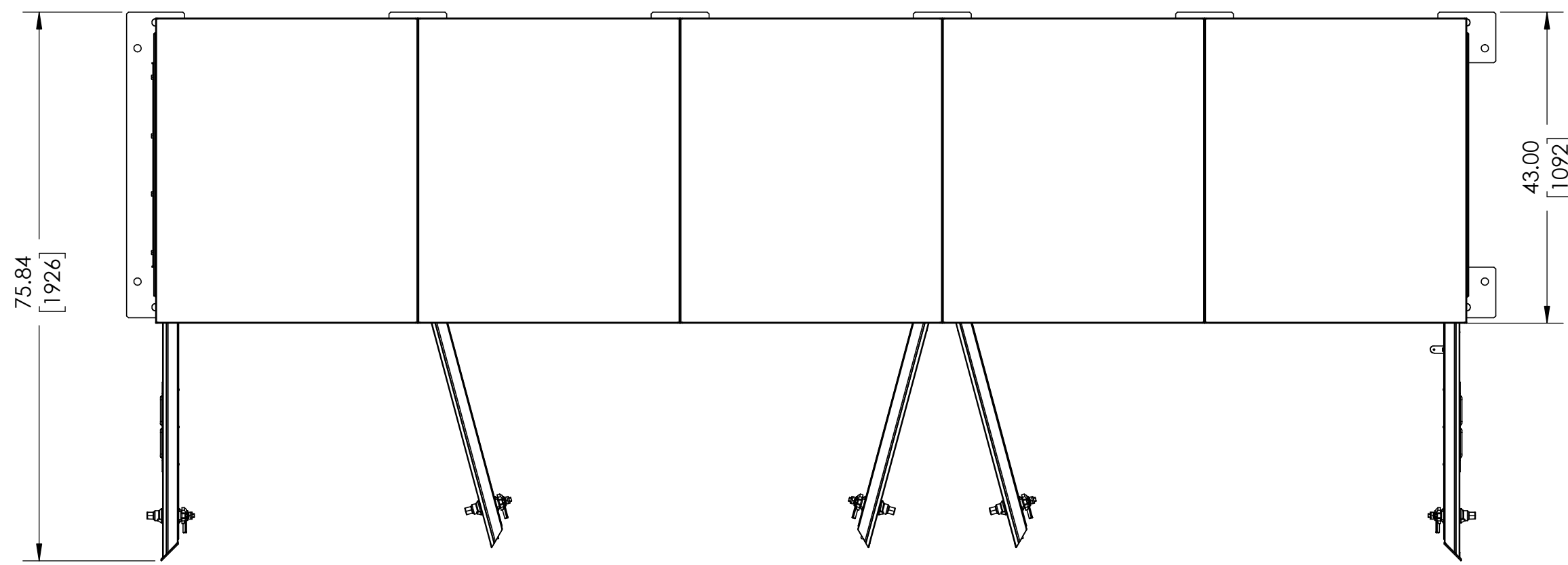
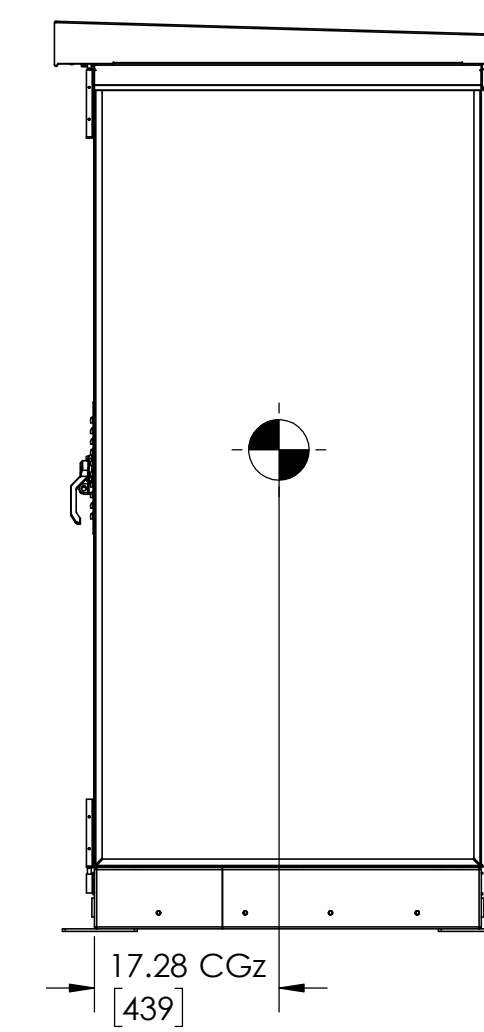
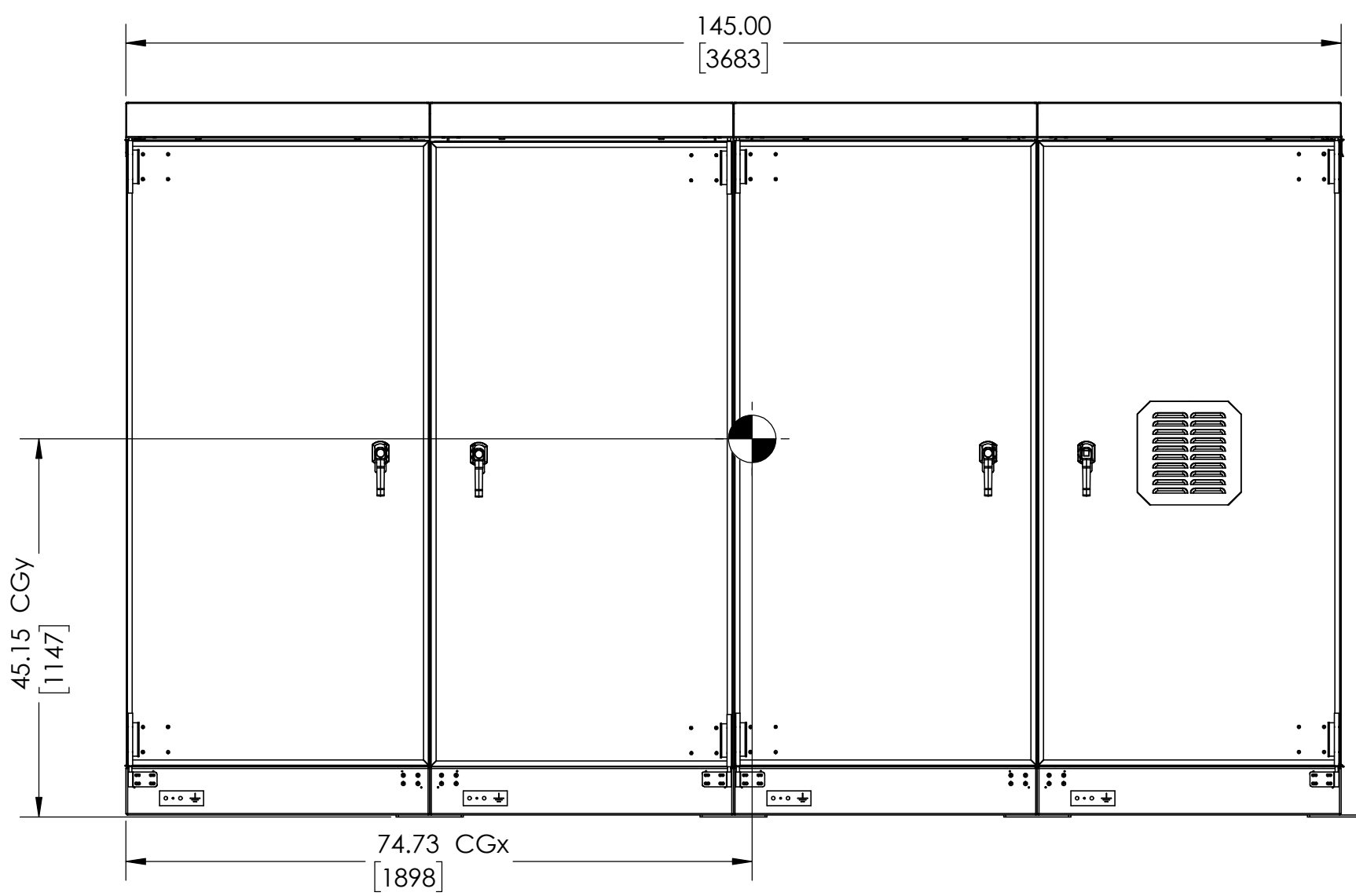
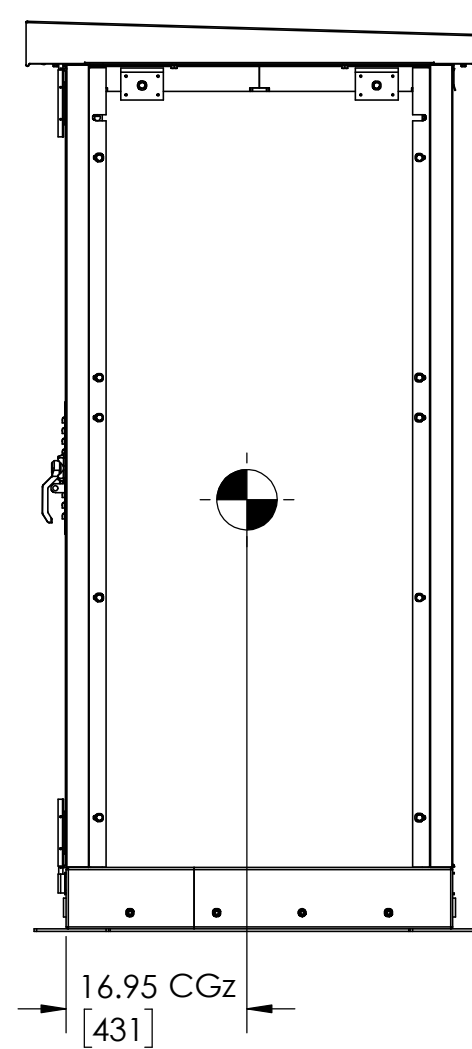
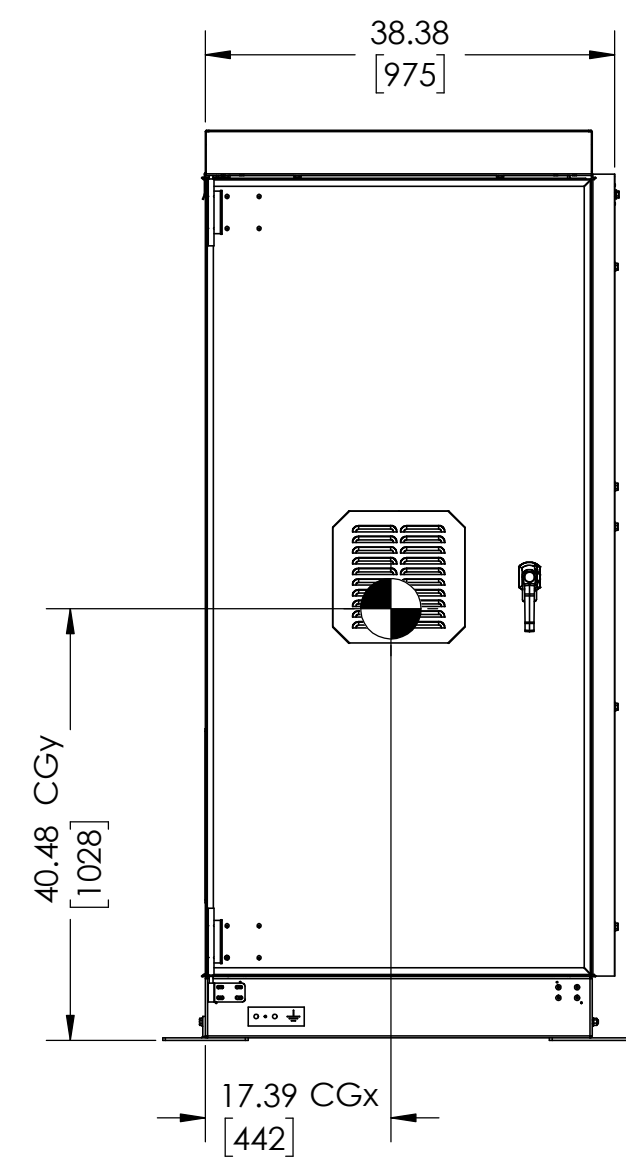


8 7 6 5 4 3 2 1



FIRST SHIPPED SECTION

SECOND SHIPPED SECTION



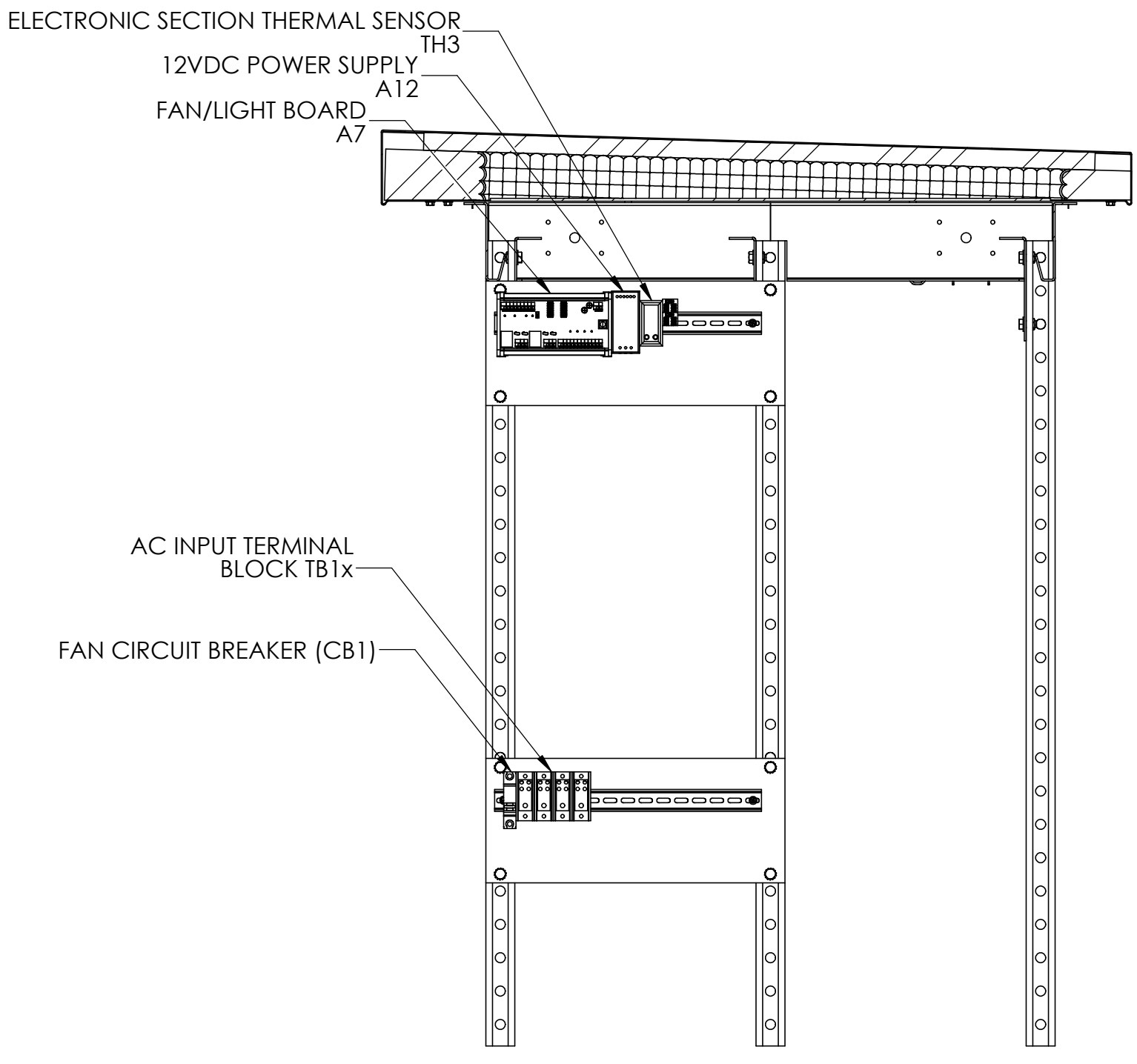
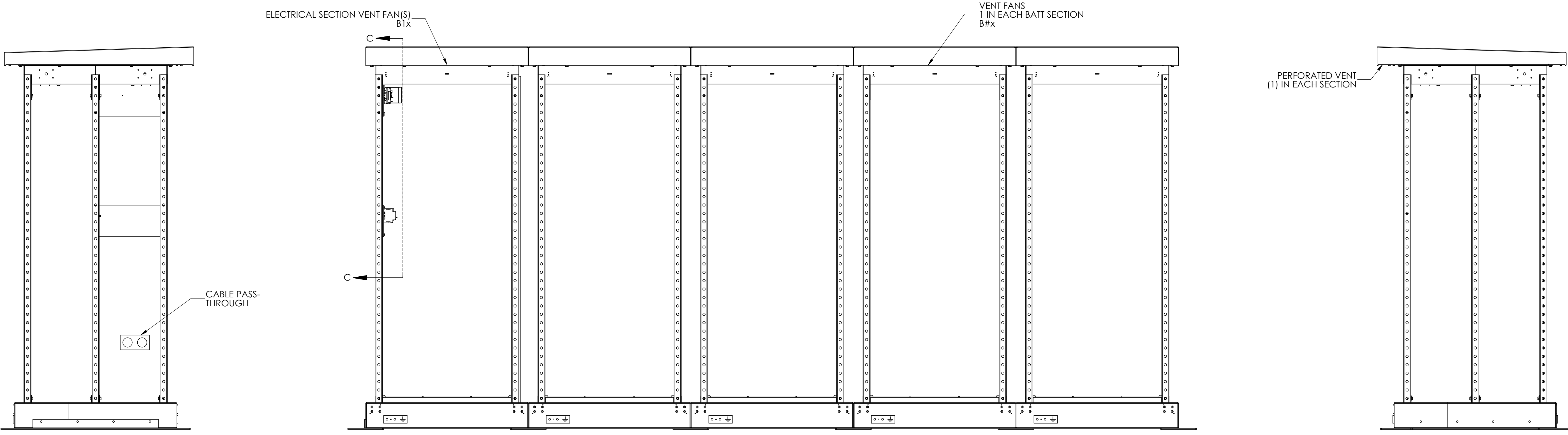
DESIGN NOTES:

- ENCLOSURE IS A NEMA-3R TYPE CABINET WITH GASKETING AND FOAM INJECTED PANELING. FINISH IS ANSI 61 GREY POWDERCOAT.
- HINGES MADE OF STAINLESS STEEL GRADE 316
- CONDUIT ENTRY PROVIDED THROUGH SIDE PANEL 10.5in BY 14in GLAND PLATE AVAILABLE FOR KNOCKOUT. SEE FOUNDATION DRAWINGS (JE5276-05) FOR KNOCKOUT LOCATIONS. CONDUIT ACCESS ALSO AVAILABLE FROM UNDERNEATH CABINET.
- LOCATE UNIT ONTO A PERMANENT, FLAT, AND LEVELED SURFACE, PREFERABLY CONCRETE OR OTHER FIREPROOF MATERIAL. SURFACE MUST BE CAPABLE OF SUPPORTING WEIGHT OF COMPLETE SYSTEM AND INSTALLED COMPONENTS. SEE FOUNDATION DRAWING (JE5276-05) FOR LOADING INFORMATION.
- VENTILATION AND THERMAL MANAGEMENT OF BATTERIES PER IEEE 1635. SEISMIC CERTIFICATION PER IEEE 693.
- THE WEIGHT OF THE CONSOLE WITHOUT BATTERIES IS 1769lb [802kg]. THE WEIGHT OF THE FIRST SHIPPED SECTION IS 481lb [218kg], AND THE SECOND SHIPPED SECTION IS 1287lb [583kg].
- FOR LIFTING, OPTIONAL STRAPPING SYSTEM (SEE E15196-01/02).
- EPIC CONSOLE SHIPPED IN TWO SECTIONS. FIELD ASSEMBLY REQUIRED.

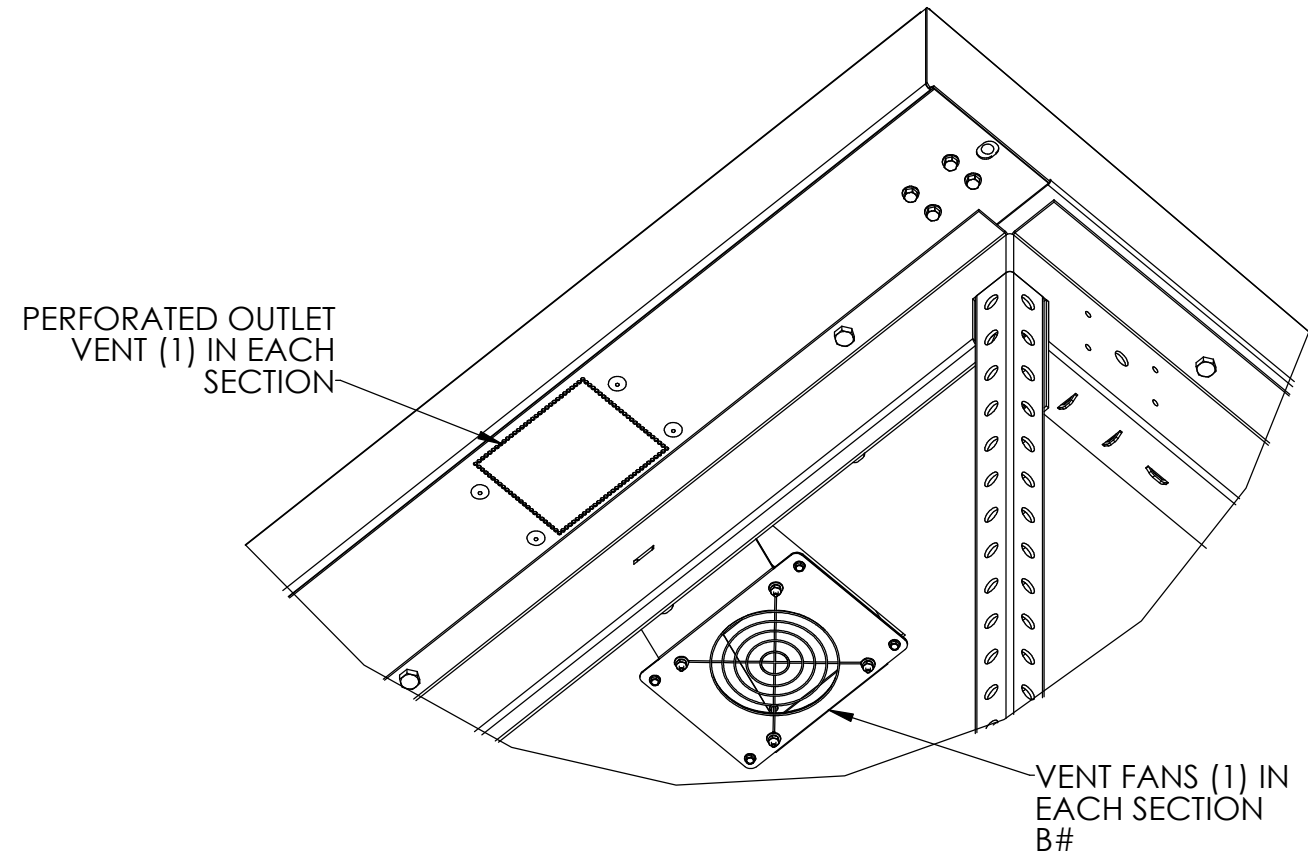
C:\Hindle Vault\Custom Drawings\CONSOLES 2.1\Standard Drawings\#-05

REV DRN CHK BY APP BY DATE	DRN BY DATE		HINDLEPOWER TITLE EPIC SERIES 2.0 CONSOLE OUTLINE: NEMA 3R STYLE 5063 ENCL QUOTE No. N/A
B KJB KMW RCF 6/12/2023	KJB 10/18/2021		
DESCRIPTION	CHK BY DATE	PROPERTY AND CONFIDENTIAL NOTICE ANY REPRODUCTION, PARTIAL OR AS A WHOLE OF THIS DOCUMENT WITHOUT THE WRITTEN PERMISSION OF HINDLE POWER, INC IS STRICTLY PROHIBITED.	
UPDATED TO NEW DESIGN.	CMF 10/18/2021	ALL DIMENSIONS SPECIFIED ARE UNLESS OTHERWISE SPECIFIED IN INCHES & FRACTIONS & DECIMALS. TOLERANCES ARE: FRACTIONS: 1/16", DEC: 0.015, ANG: 2°30'	
APP BY DATE	RCF 10/18/2021	SCALE DWG No. D 1:18 JE5269-05	REV SHEET B 1 OF 1

8 7 6 5 4 3 2 1



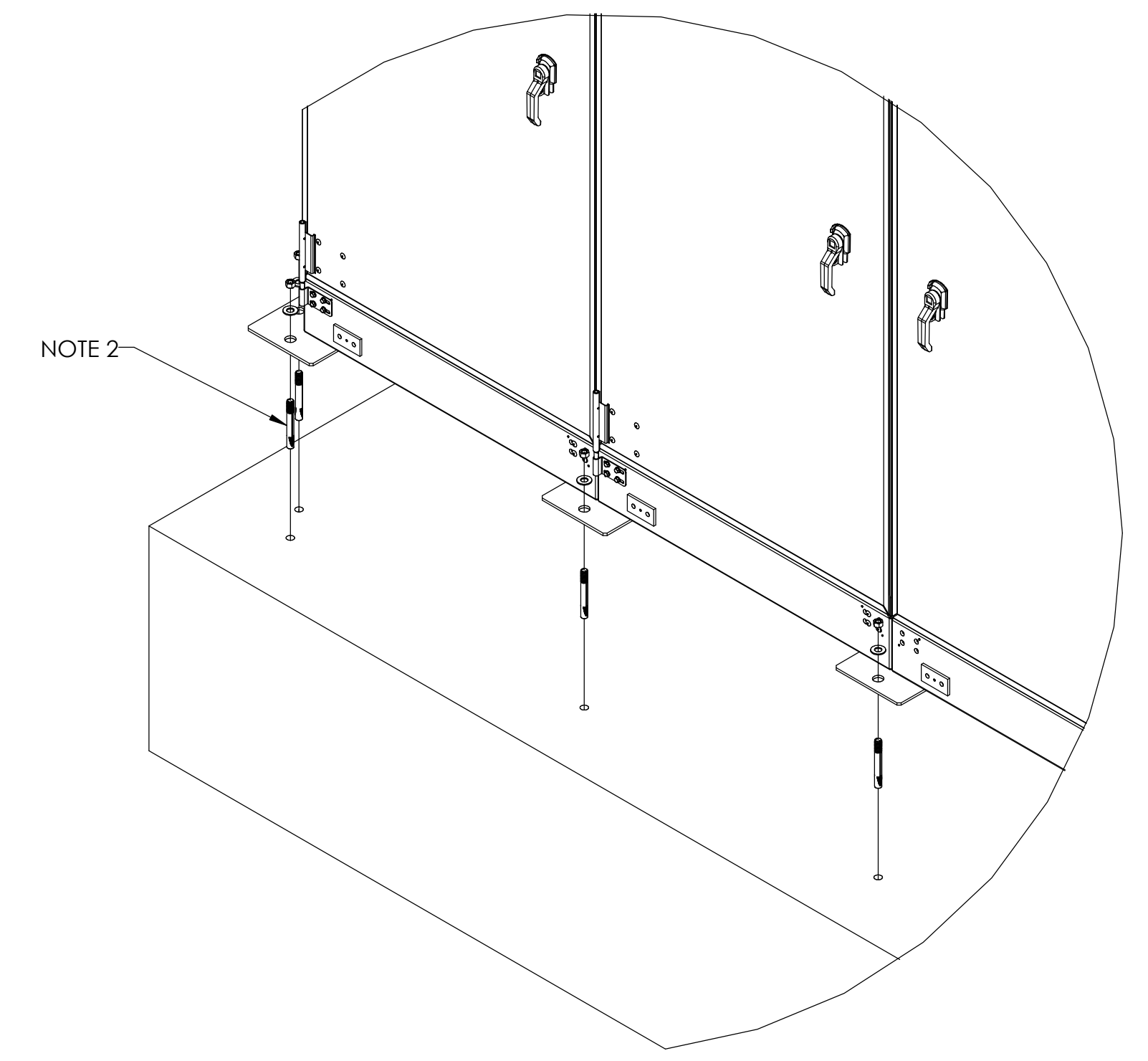
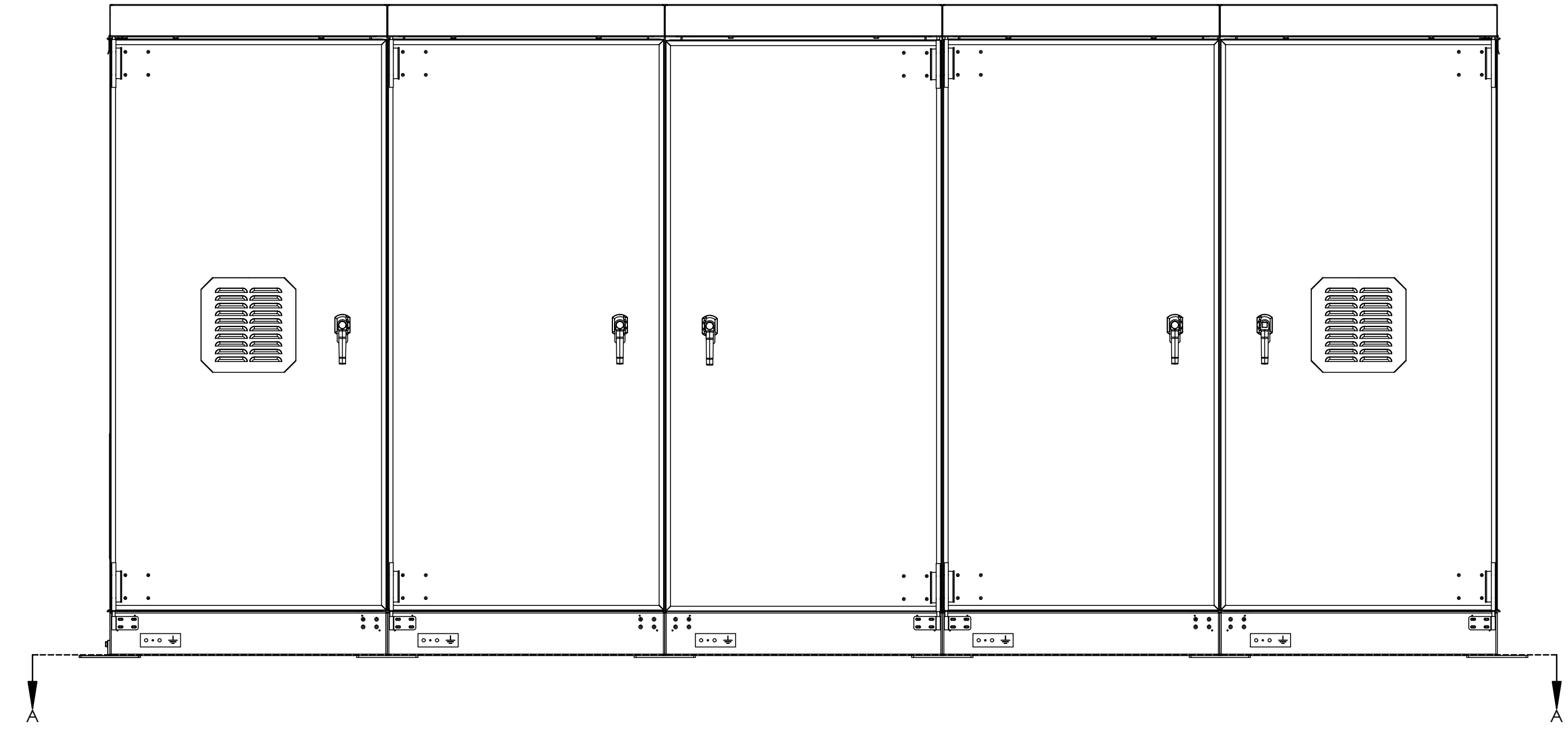
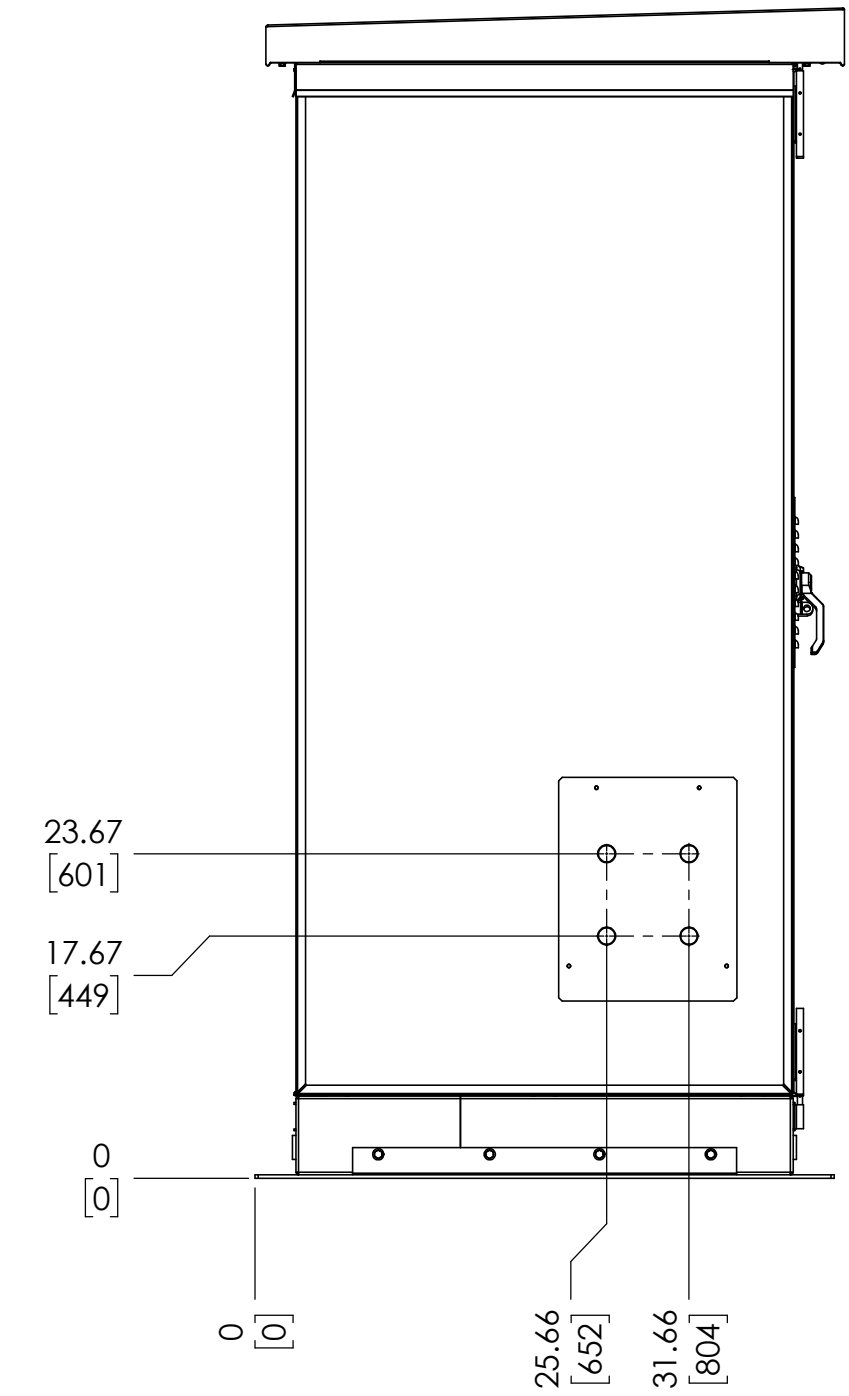
SECTION C-C
SCALE 1 : 8



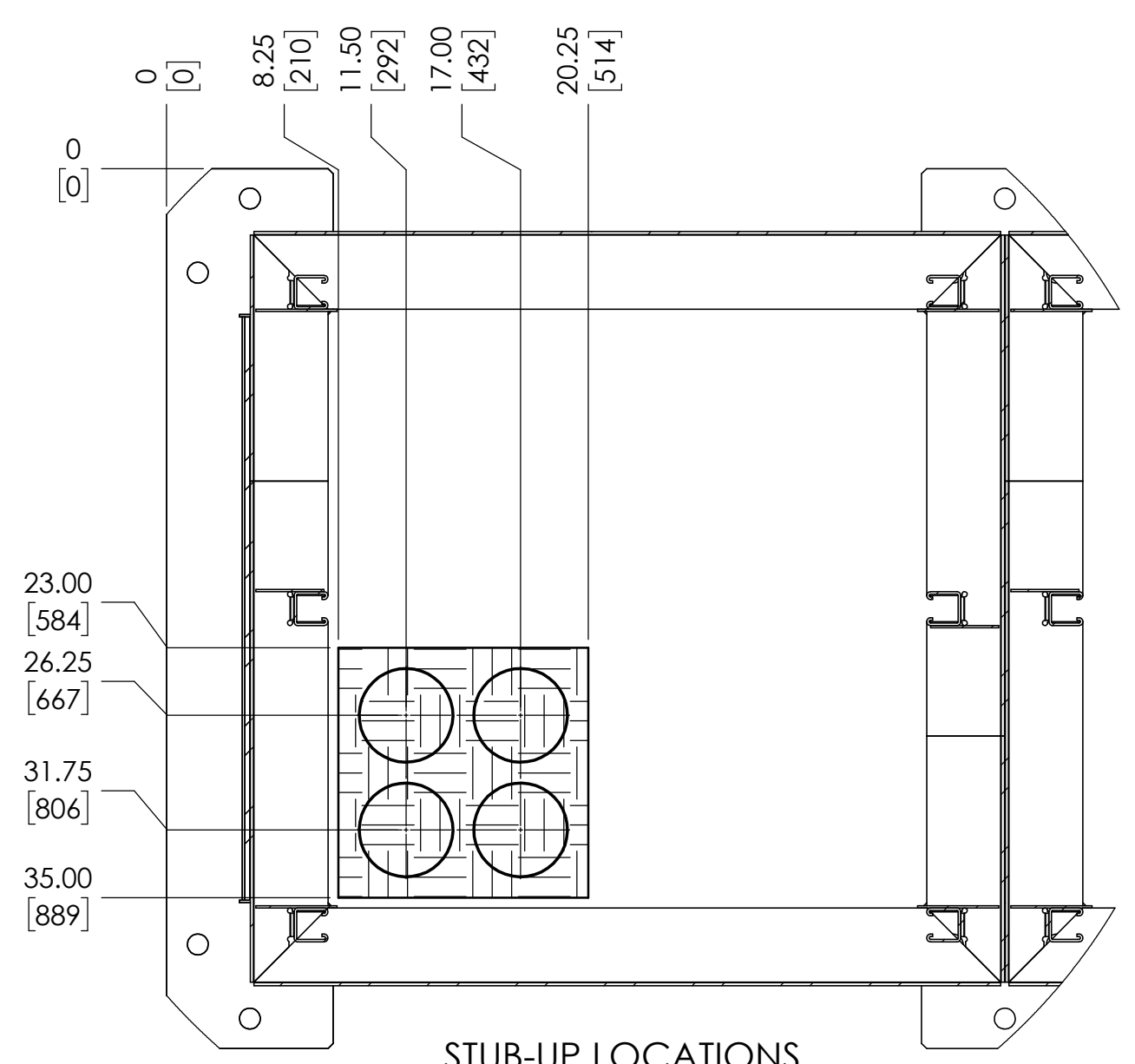
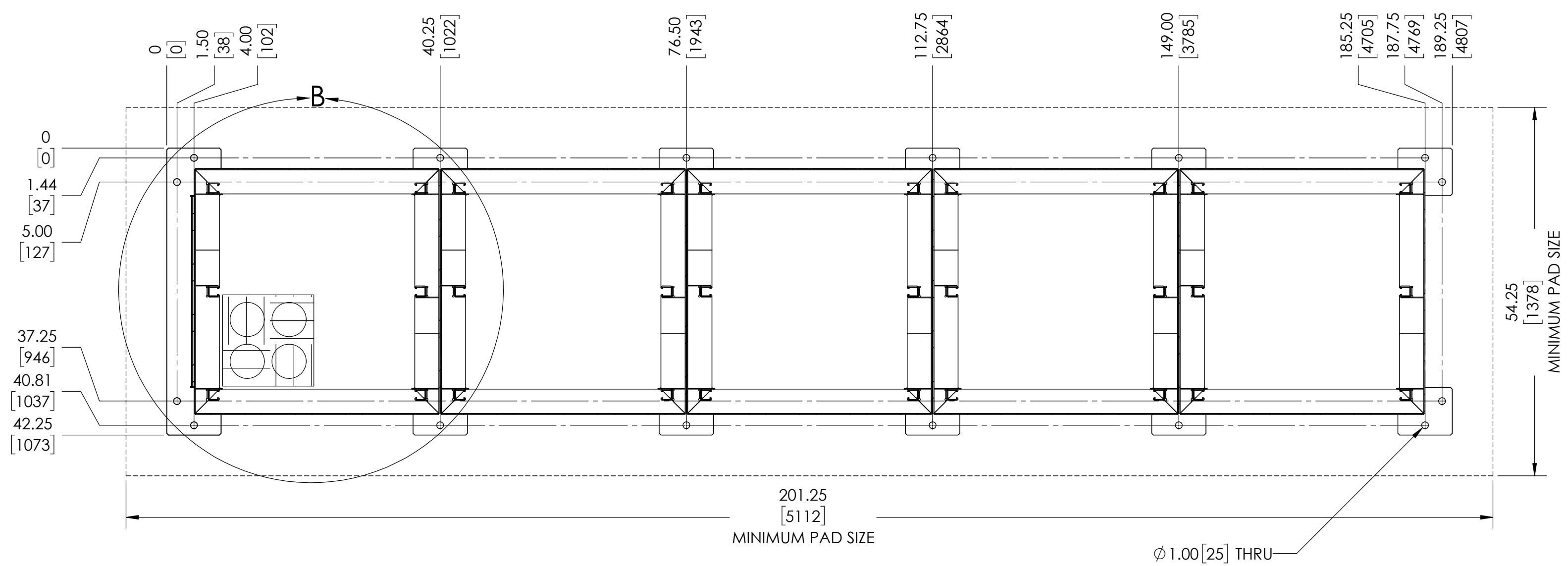
1. TO PROVIDE A CLEAR VIEW OF THE CONSOLE INTERNAL COMPONENTS, THE FOLLOWING ITEMS ARE NOT SHOWN:
 - FRONT DOORS W/ EYE WASH
 - REAR PANELS/DOORS
 - LEFT AND RIGHT SIDE PANELS
2. DO NOT LIFT, PUSH OR RELOCATE THE EPIC CONSOLE WITH BATTERIES INSTALLED WITHIN ENCLOSURE.
3. BATTERY TYPE: REFERENCE (## JARS)

C:\Hindle Vault\Custom Drawings\CONSOLES 2.1\Standard Drawings\#-05

REV	DRN BY	CHK BY	APP BY	DATE	DRN BY	DATE
B	KJB	KMW	RCF	6/12/2023	KJB	10/18/2021
DESCRIPTION				UPDATED TO NEW DESIGN.	CHK BY	DATE
				CMF	10/18/2021	
APP BY				DATE	APP BY	DATE
RCF				10/18/2021	RCF	10/18/2021
<small>UNLESS OTHERWISE SPECIFIED ALL DIMENSIONS ARE TO THE FACE UNLESS NOTED OTHERWISE (INCHES & FRACTIONS & DECIMALS) TOLERANCES ARE: FRACTIONS DEC: ± 0.125, ANG: ± 0.25°</small>						
<small>PROPERTY AND CONFIDENTIAL NOTICE ANY REPRODUCTION, PARTIAL OR AS A WHOLE OF THIS DOCUMENT WITHOUT THE WRITTEN PERMISSION OF HINDLE POWER, INC IS STRICTLY PROHIBITED.</small>						
						HINDLEPOWER <small>1075 East 10th Street Suite 100 - 100 East Provo, UT 84601 www.hindlepower.com</small>
				TITLE EPIC SERIES 2.0 CONSOLE INTERNAL LAYOUT: 1 ELEC. / 4 BATT. QUOTE No. N/A		SCALE D 1:12
				DWG No JE5270-05		REV SHEET B 1 OF 1



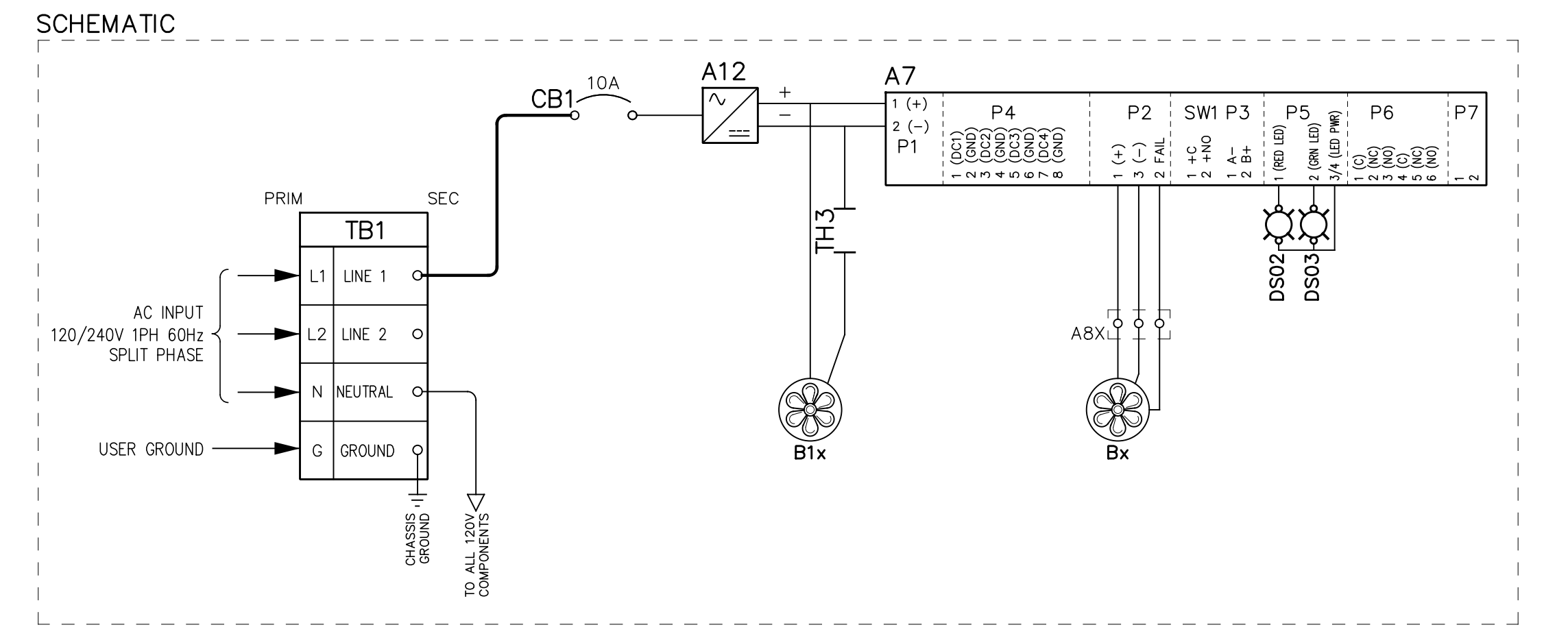
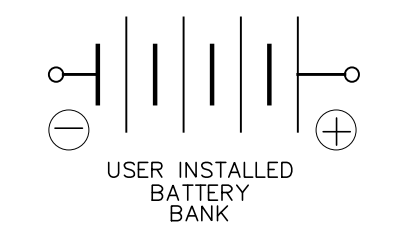
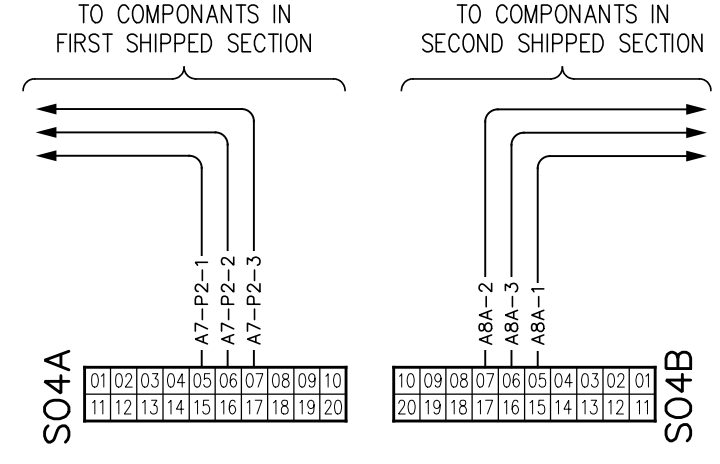
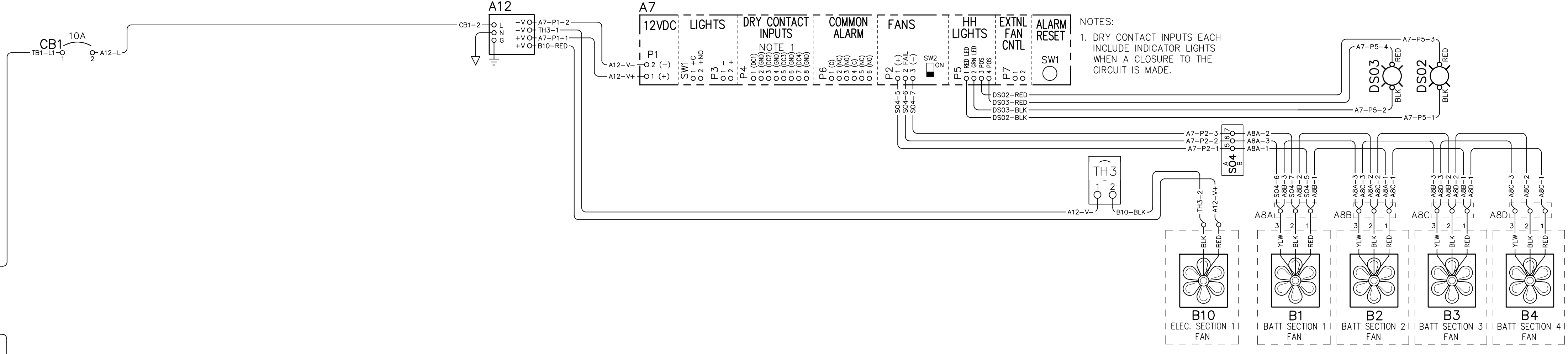
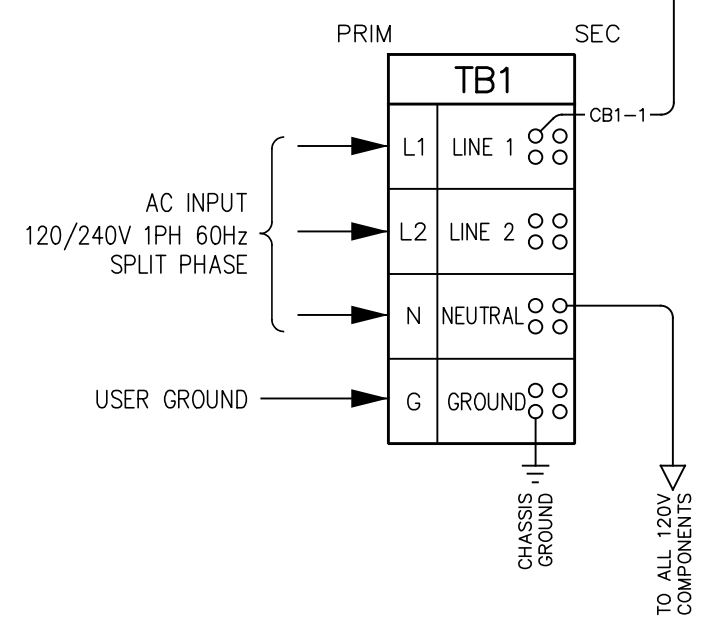
A-A
MOUNTING DIMENSIONS



STUB-UP LOCATIONS
DETAIL B
SCALE 1 : 8

- NOTES:
1. MOUNTING DIMENSIONS SHOWN ON DRAWING ARE FINAL. WE RECOMMEND PLACING CONSOLE THEN DRILLING FOR MOUNTING ANCHORS.
 2. ANCHOR BOLTS ARE TO BE HILTI M12 HDA-TR STAINLESS STEEL UNDERCUT (OR EQUIVALENT). HOLE DEPTH TO BE MINIMUM OF 5.3" [135mm], PAD DEPTH TO BE MINIMUM OF 8.0" [203mm]
 3. CONCRETE PAD TO EXTEND A MINIMUM OF 6" [153mm] FROM EDGE OF CABINET ON ALL SIDES. SEE MOUNTING DIMENSIONS BELOW. THE WEIGHT OF THE CONSOLE WITH BATTERIES (SPECIFIED IN PURCHASE ORDER) IS 1765lb [801kg]
 4. CONCRETE PAD TO BE 4000 psi OR GREATER.
 5. ELECTRICAL CONDUIT MAY ENTER FROM UNDERNEATH CABINET, BUT ONLY THROUGH STUB-UP LOCATIONS SHOWN IN DETAIL B.
 6. CONDUIT ENTRY PROVIDED THROUGH SIDE PANEL 10.5in BY 14in GLAND PLATE AVAILABLE FOR KNOCKOUT. KNOCKOUTS MAY NOT BE VISIBLE, USE DIMENSIONS TO VERIFY BREAKAWAY POINTS.

REV DRN BY CHK BY APP BY DATE	DRN BY DATE		HINDLEPOWER EPIC SERIES 2.0 CONSOLE FOUNDATION DRAWING QUOTE No. N/A
B KJB KMW RCF 6/12/2023	KJB 10/18/2021		
DESCRIPTION	CHK BY DATE	TITLE	
UPDATED TO NEW DESIGN.	CMF 10/18/2021	EPIC SERIES 2.0 CONSOLE	
APP BY DATE	RCF 10/18/2021	FOUNDATION DRAWING	
		QUOTE No. N/A	
PROPERTY AND CONFIDENTIAL NOTICE		SCALE DWG No	
ANY REPRODUCTION, PARTIAL OR AS A WHOLE OF THIS DOCUMENT WITHOUT THE WRITTEN PERMISSION OF HINDLE POWER, INC IS STRICTLY PROHIBITED.		D 1:14 JE5276-05	
		REV SHEET	B 1 OF 1



EPIC SERIES COMPONENTS

SYMBOL	DESCRIPTION
A7	FAN/LIGHT BOARD
A8x	FAN BOARD(S)
A12	12VDC POWER SUPPLY
Bx	BATTERY SECTION VENT FANS
B1x	ELECTRIC SECTION VENT FANS
CB1	CIRCUIT BREAKER FOR A12 P/S
DS02	RED LED
DS03	GREEN LED
SO4	SIGNAL INTERCONNECTION SOCKET
SO5	B9A POWER INTERCONNECTION SOCKET
SO8	K2 SIGNAL INTERCONNECTION SOCKET
TB1	AC INPUT TERMINAL BLOCK
TH3	ELECTRONIC SECTION THERMAL SENSOR

LEGEND FOR EPIC LINE

SYMBOL	DESCRIPTION
○	DEVICE TERMINAL
◊	TERMINAL BLOCK POINT IN TRANSFORMER
◇	TERMINAL BLOCK POINT FOR SCADA
◐	TERMINAL BLOCK POINT FOR COMMUNICATIONS
◑	TERMINAL BLOCK POINT IN POWER CIRCUIT BREAKER
▲	TERMINAL IN A.C. OR D.C. PANELBOARD
—	SHIPPED WITH WIRING INSTALLED
- - -	WIRING TO BE INSTALLED

I/O TERMINAL	DESCRIPTION - TYPE	CONNECTION
TB1 PRIM	L1, L2, AC INPUT / USER NTRL, GND TERMINALS - CU-ALUMINUM COMP LUG	(1) 2/0-#14 AWG
TB1 SEC	LINE 1, LINE 2 AC INPUT / USER NTRL, GND TERMINALS - CU-ALUMINUM COMP LUG	(4) #4-#14 AWG

REV: DRN BY: KJB CHK BY: CMF DATE: 10/18/21	DRN BY: KJB CHK BY: CMF DATE: 10/18/21	DATE: 10/18/21		1075 Saint John Street Easton, PA 18042-6661 PH 610-330-9000 FAX 610-330-8810 www.handlepowerinc.com
DESCRIPTION: STANDARD DRAWINGS TITLE: EPIC SERIES 2.0 CONSOLE CONNECTION DIAGRAM: 1 ELEC. SECTION 5 BATT SECTION SALES ORDER NO. N/A				SHEET CHANGES EFFECTIVE ALL CHANGES FOLLOW THE AND SYSTEM REV. (INCHES) PAPER ARE FRAC. 1/16. DEC. 10/18/21
PROPERTY AND CONFIDENTIAL NOTICE ANY REPRODUCTION, PARTIAL OR AS A WHOLE OF THIS DOCUMENT WITHOUT THE WRITTEN PERMISSION OF HANDLE POWER, INC. IS STRICTLY PROHIBITED.		SCALE: DWG No: JE5272-05 INTS:	REV: B	SHEET: 1 OF 1