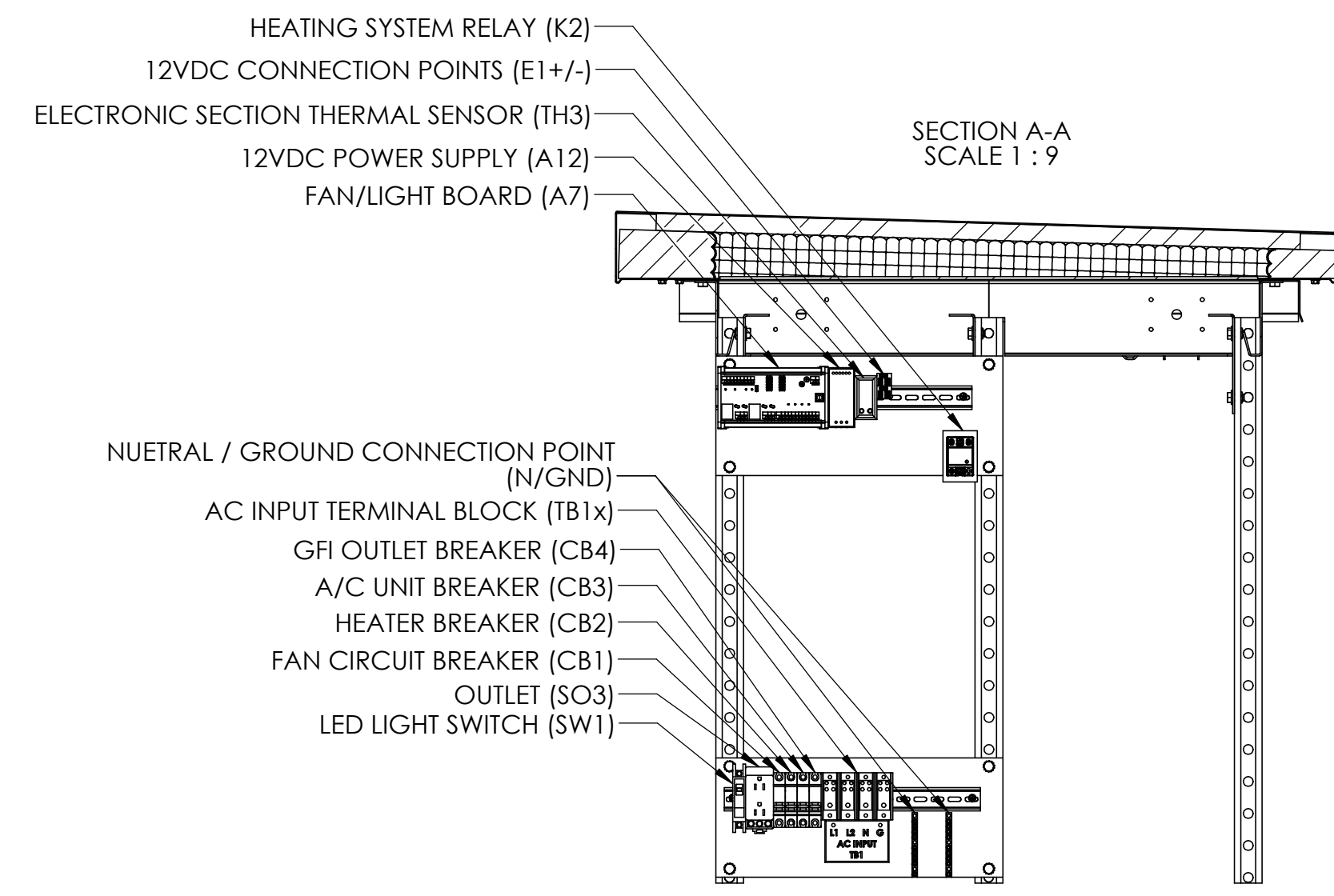
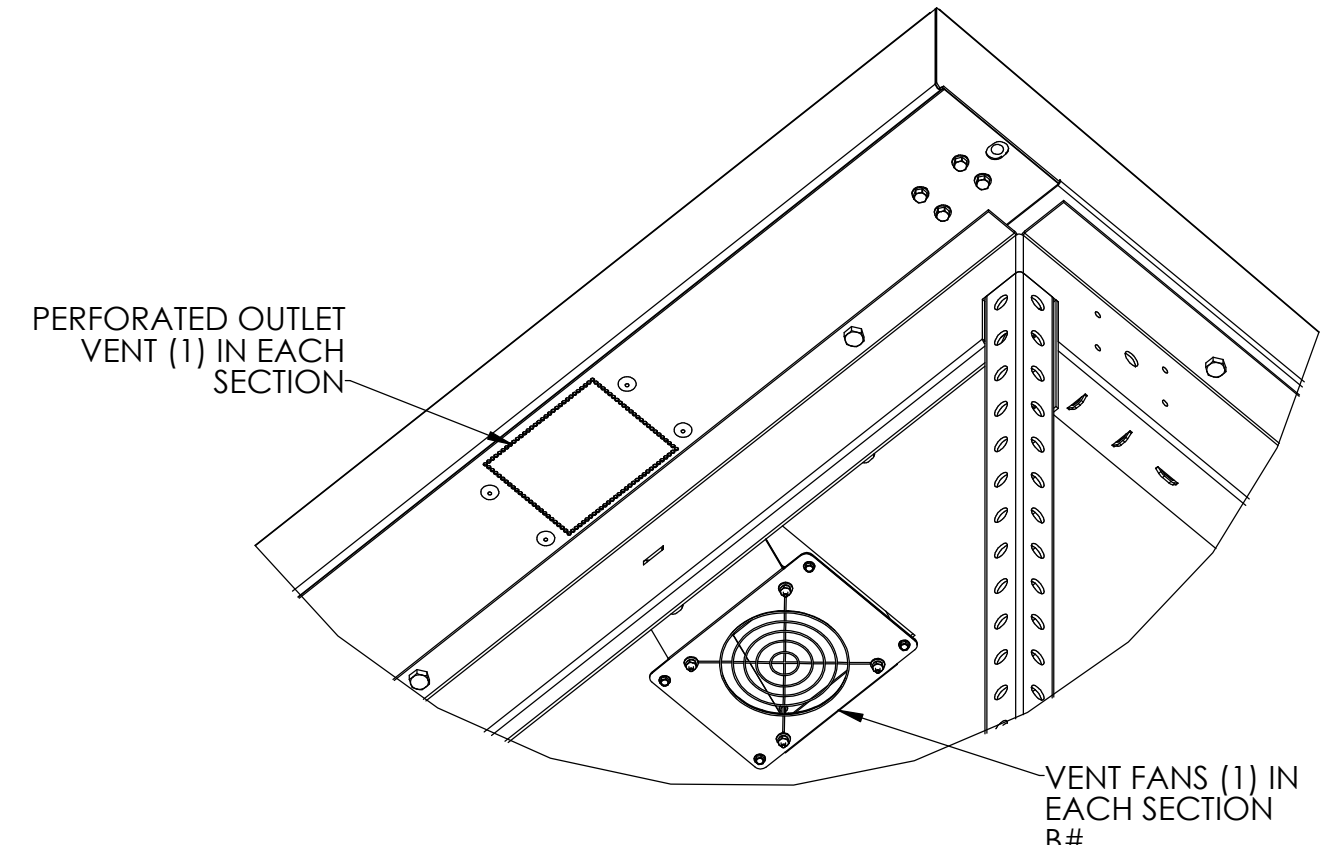
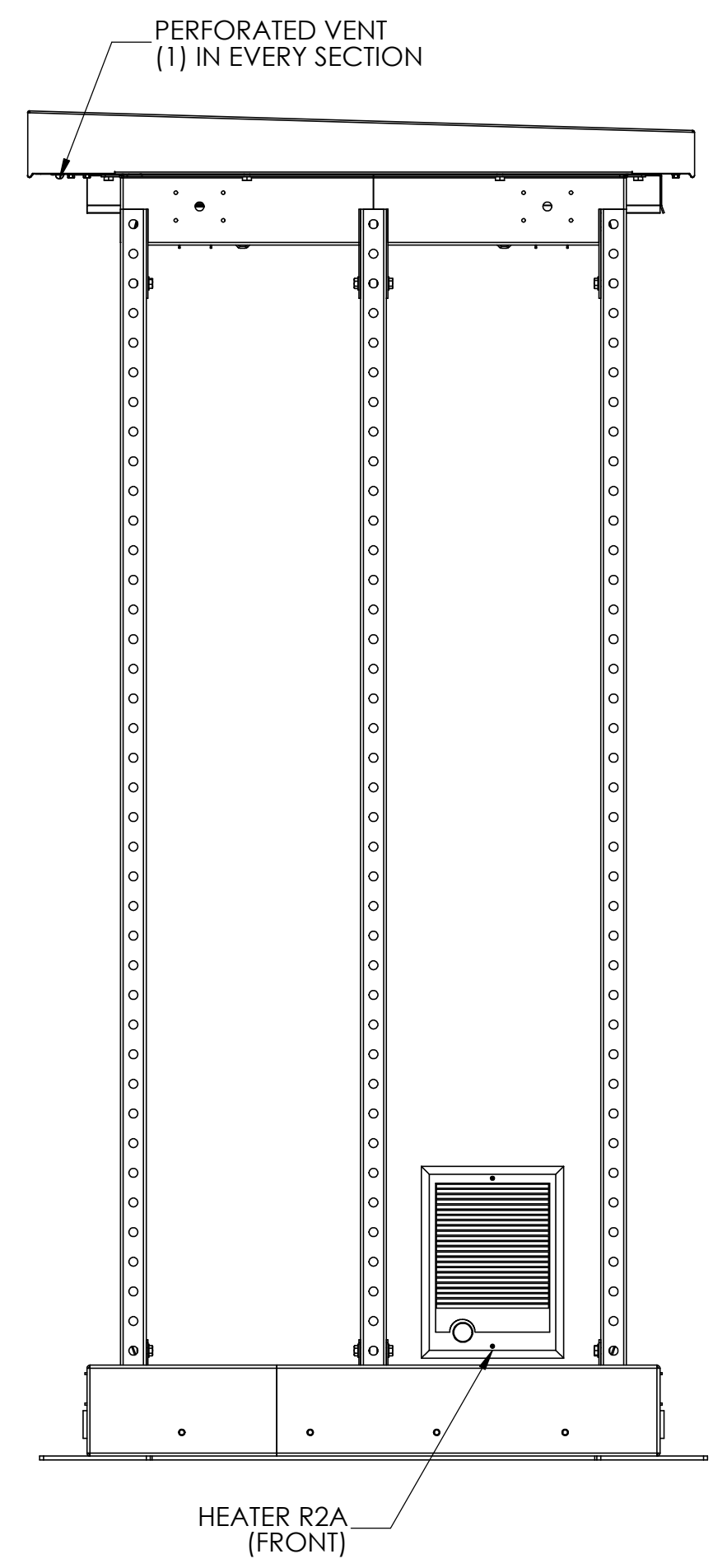
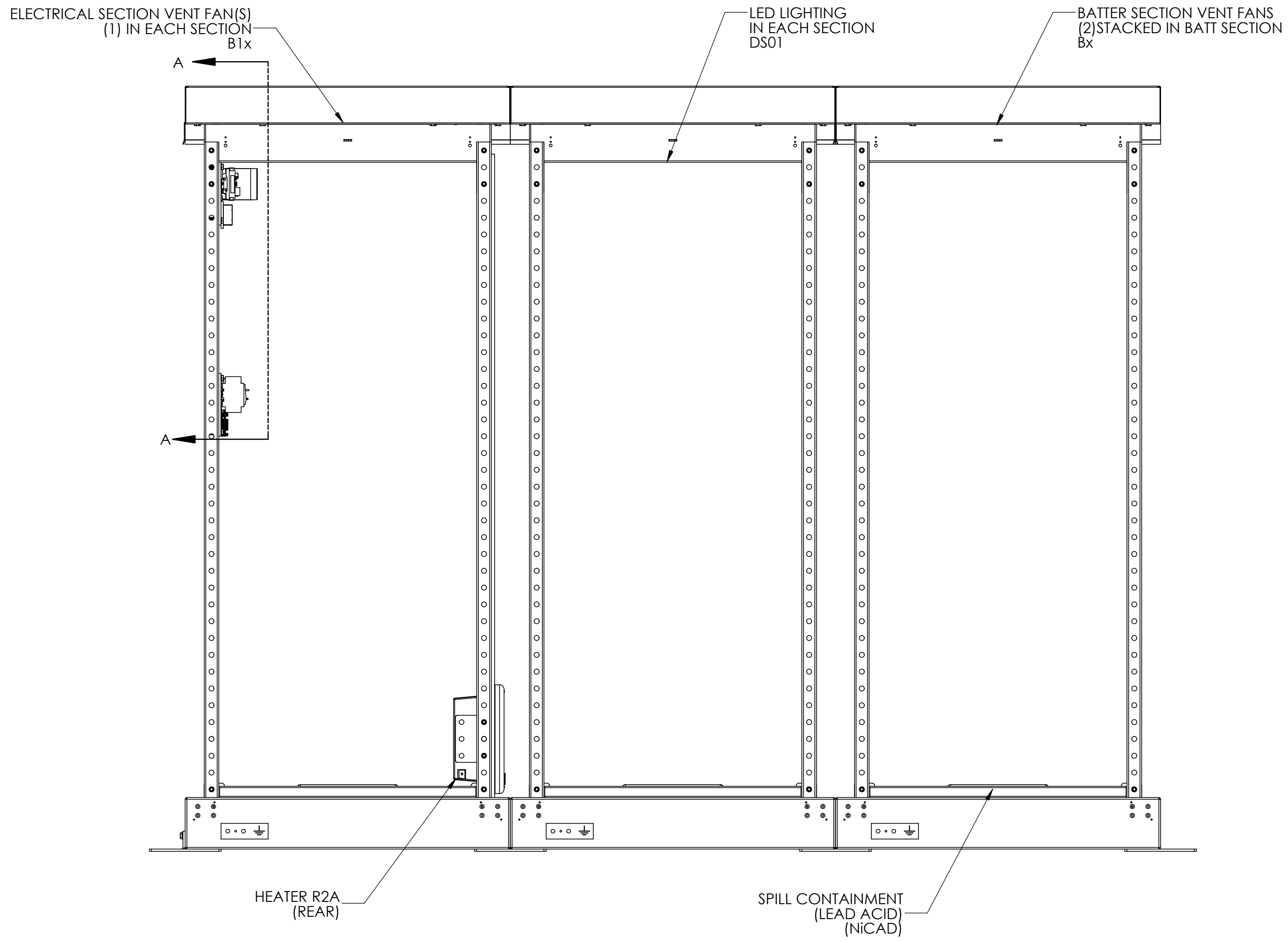
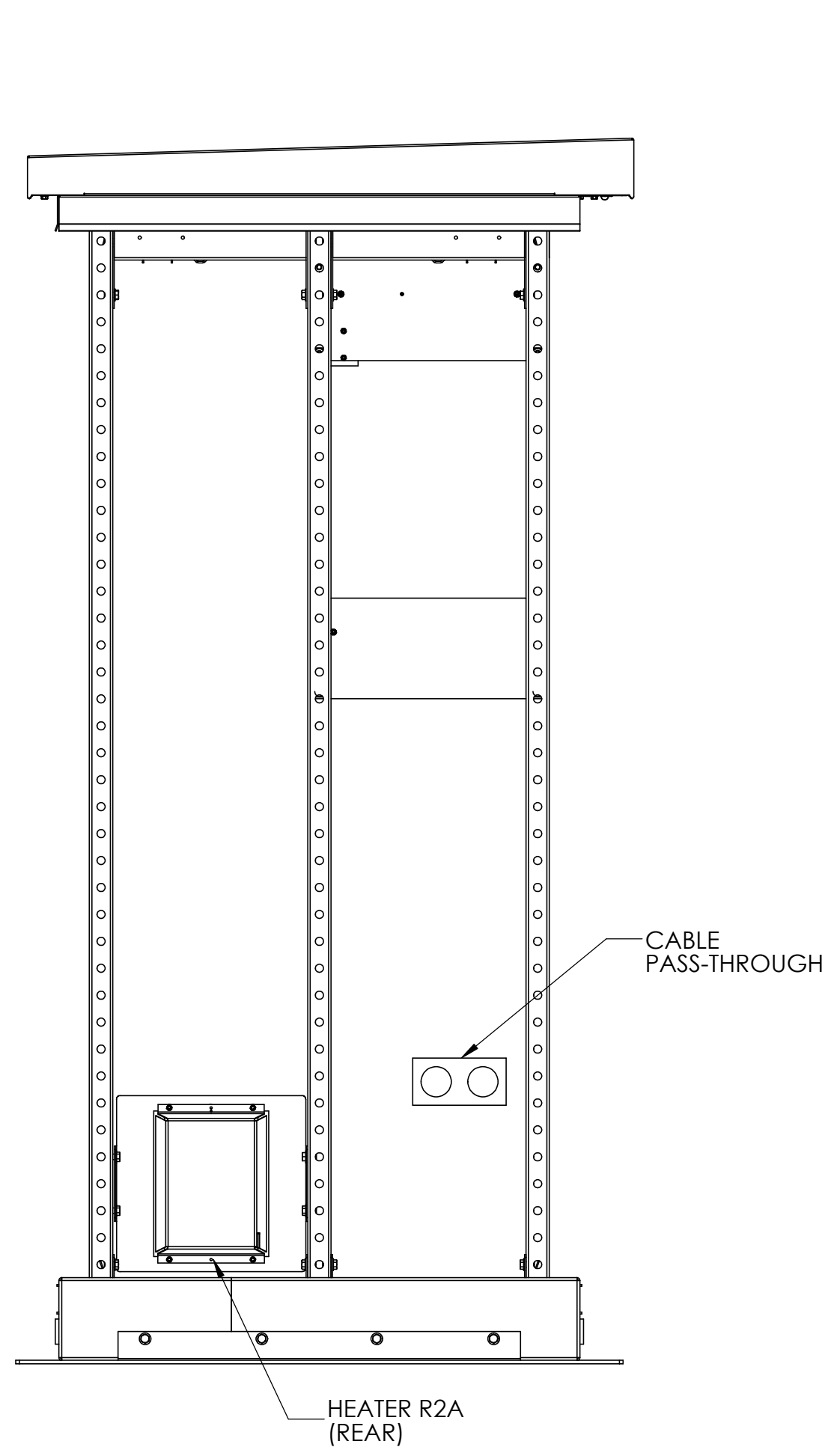


DESIGN NOTES:

- ENCLOSURE IS A NEMA-3R TYPE CABINET WITH GASKETING AND FOAM INJECTED PANELING. FINISH IS ANSI 61 GREY POWDERCOAT.
- HINGES MADE OF STAINLESS STEEL GRADE 316
- CONDUIT ENTRY PROVIDED THROUGH SIDE PANEL 10.5in BY 14in GLAND PLATE AVAILABLE FOR KNOCKOUT. SEE FOUNDATION DRAWINGS (JE5276-53) FOR KNOCKOUT LOCATIONS. CONDUIT ACCESS ALSO AVAILABLE FROM UNDERNEATH CABINET.
- LOCATE UNIT ONTO A PERMANENT, FLAT, AND LEVELED SURFACE, PREFERABLY CONCRETE OR OTHER FIREPROOF MATERIAL. SURFACE MUST BE CAPABLE OF SUPPORTING WEIGHT OF COMPLETE SYSTEM AND INSTALLED COMPONENTS. SEE FOUNDATION DRAWING (JE5276-53) FOR LOADING INFORMATION.
- VENTILATION AND THERMAL MANAGEMENT OF BATTERIES PER IEEE 1635. SEISMIC CERTIFICATION PER IEEE 693.
- THE WEIGHT OF THE CONSOLE WITHOUT BATTERIES IS 1390lb [630kg]
- FOR LIFTING, USE OPTIONAL STRAPPING SYSTEM (SEE E15196-02).

REV   DRN BY   CHK BY   APP BY   DATE	DRN BY   DATE	<b>HINDLEPOWER</b> <small>©2015 Hindle Power Inc. All Rights Reserved. www.hindlepower.com</small>
B   KJB   RCF   RCF   05/01/24	KJB   05/01/24	
DESCRIPTION	CHK BY   DATE	<b>TITLE</b> EPIC SERIES 2.0 CONSOLE OUTLINE: NEMA 3R 5063 ENCL SALES ORDER No. N/A
UPDATED DESIGN	RCF   05/01/24	
APP BY   DATE	APP BY   DATE	<small>UNLESS OTHERWISE SPECIFIED:          ALL DIMENSIONS TO CENTER LINE          UNLESS INDICATED OTHERWISE          (INCHES &amp; FRACTIONS &amp; DECIMALS)          TOLERANCES ARE: FRACTIONS: 1/16"          DEC: ± 0.125, ANG ± 0.5°</small>
RCF   05/01/24	RCF   05/01/24	
<small>SCALE   DWG No.</small> <b>D</b>   1:12		<small>REV   SHEET</small> <b>B</b>   1 OF 1

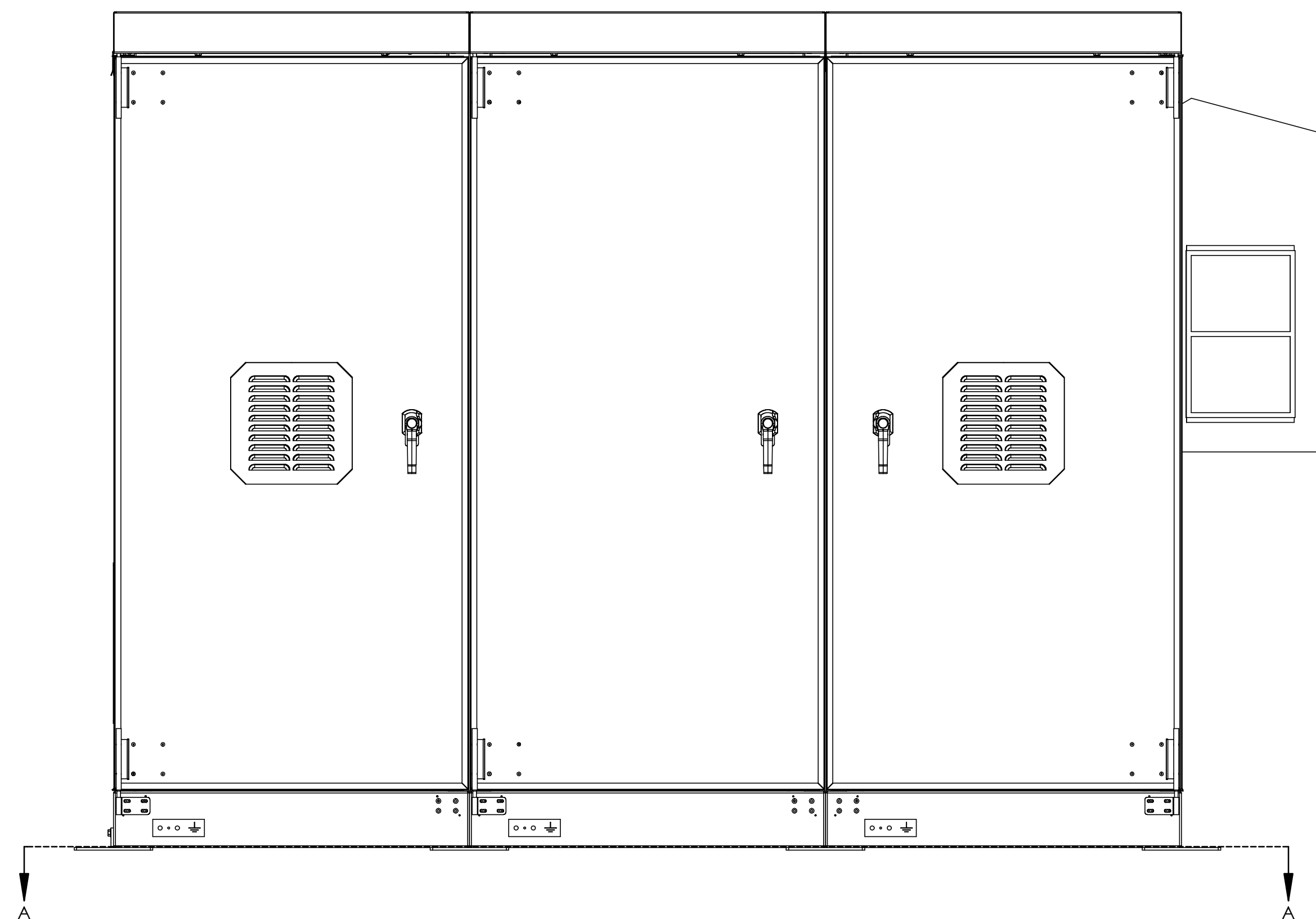
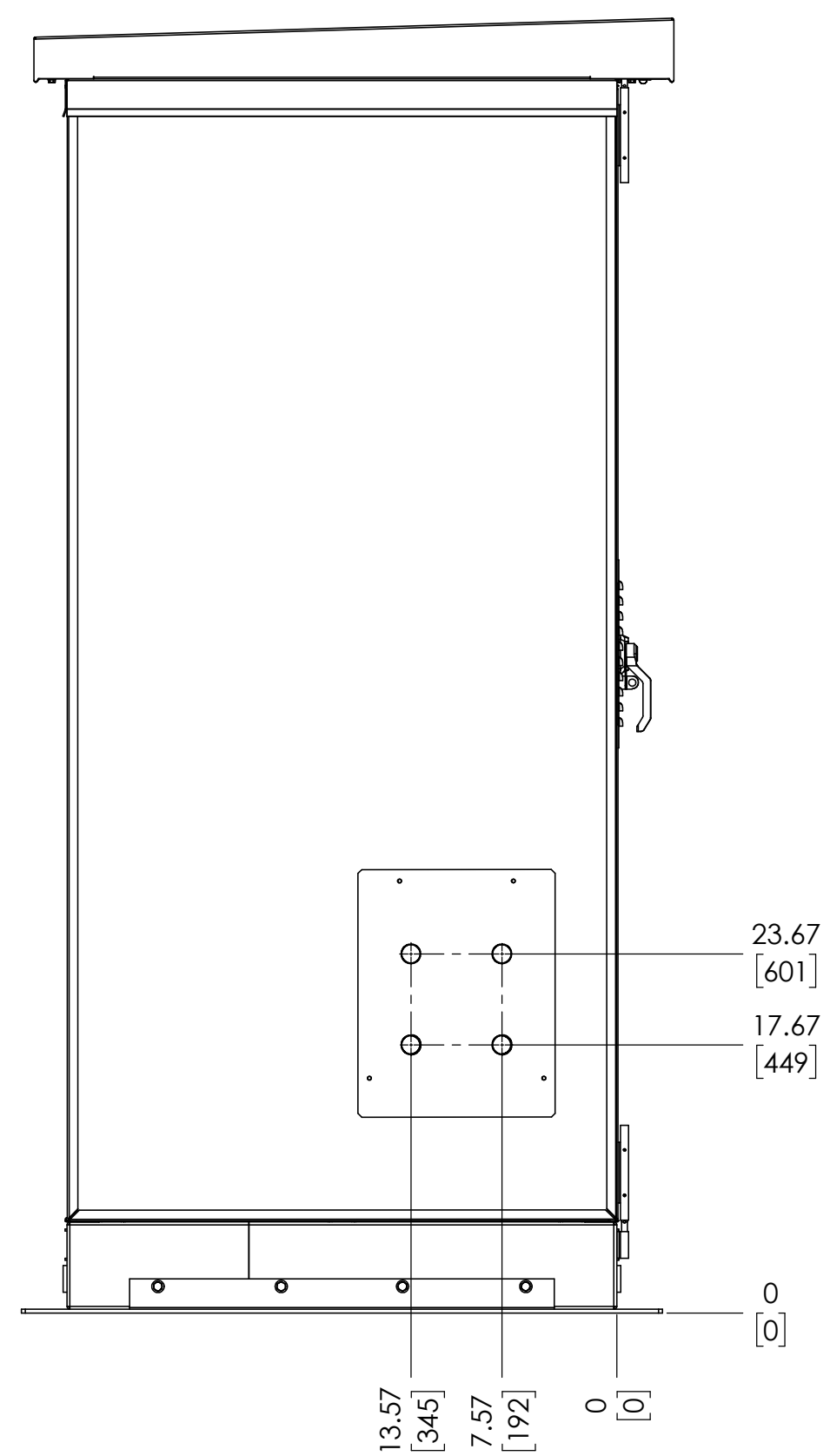


FAN AND LIGHT BOARD (A7) ALARM INDICATOR LEDES	
LED	ALARM DESCRIPTION
INPUT 1	HVAC ALARM
INPUT 2	Available
INPUT 3	Available
INPUT 4	Available
FAN 1	FAIL
FAN 2	ON

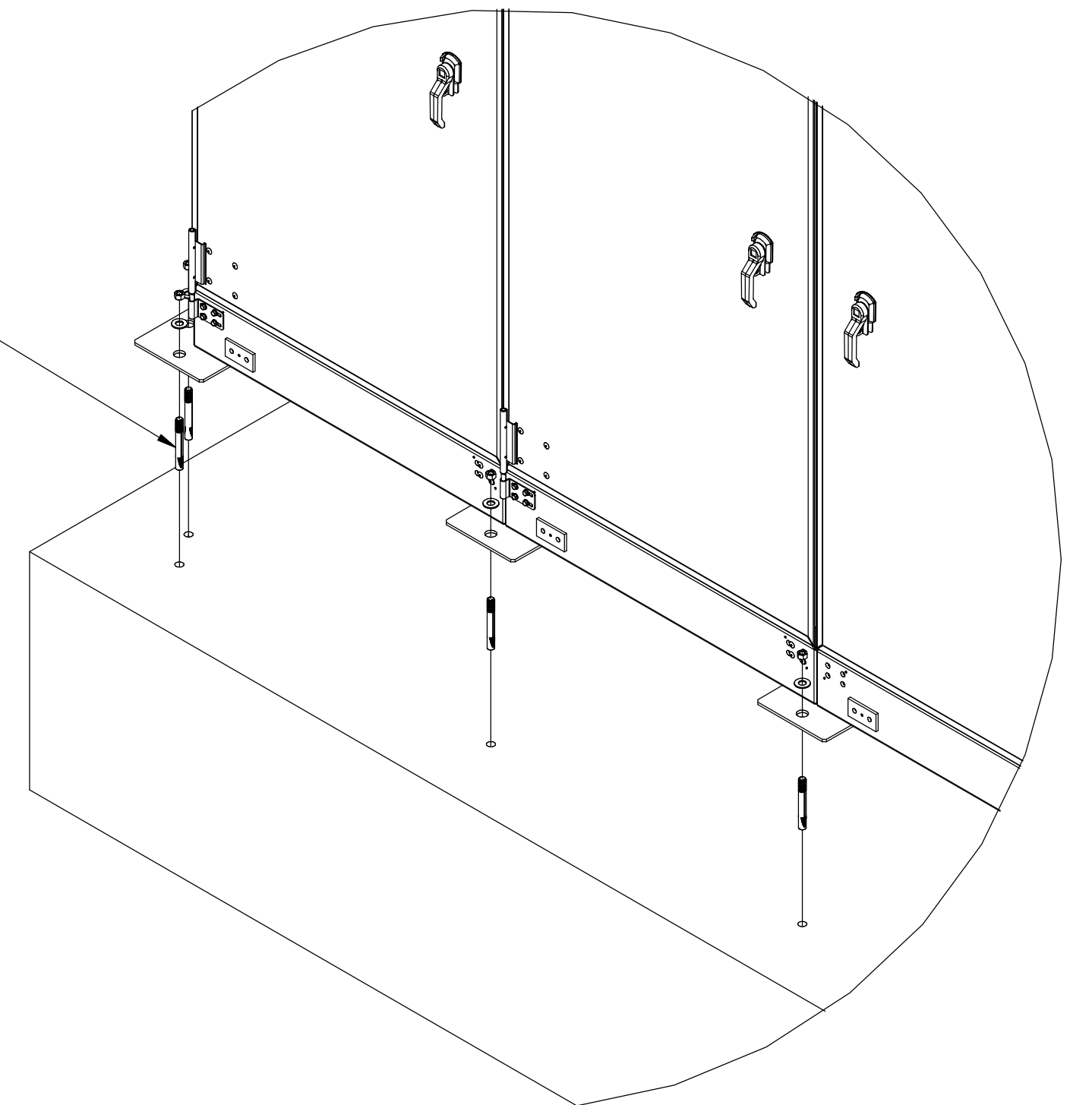
SEE MANUAL FOR MORE DETAIL ON ALARM INPUTS

- NOTES:
- TO PROVIDE A CLEAR VIEW OF THE CONSOLE INTERNAL COMPONENTS, THE FOLLOWING ITEMS ARE NOT SHOWN:
    - FRONT DOORS W/ EYE WASH
    - REAR PANELS/DOORS
    - LEFT AND RIGHT SIDE PANELS
  - DO NOT LIFT, PUSH OR RELOCATE THE EPIC CONSOLE WITH BATTERIES INSTALLED WITHIN ENCLOSURE.
  - BATTERY TYPE: ## (# JARS)

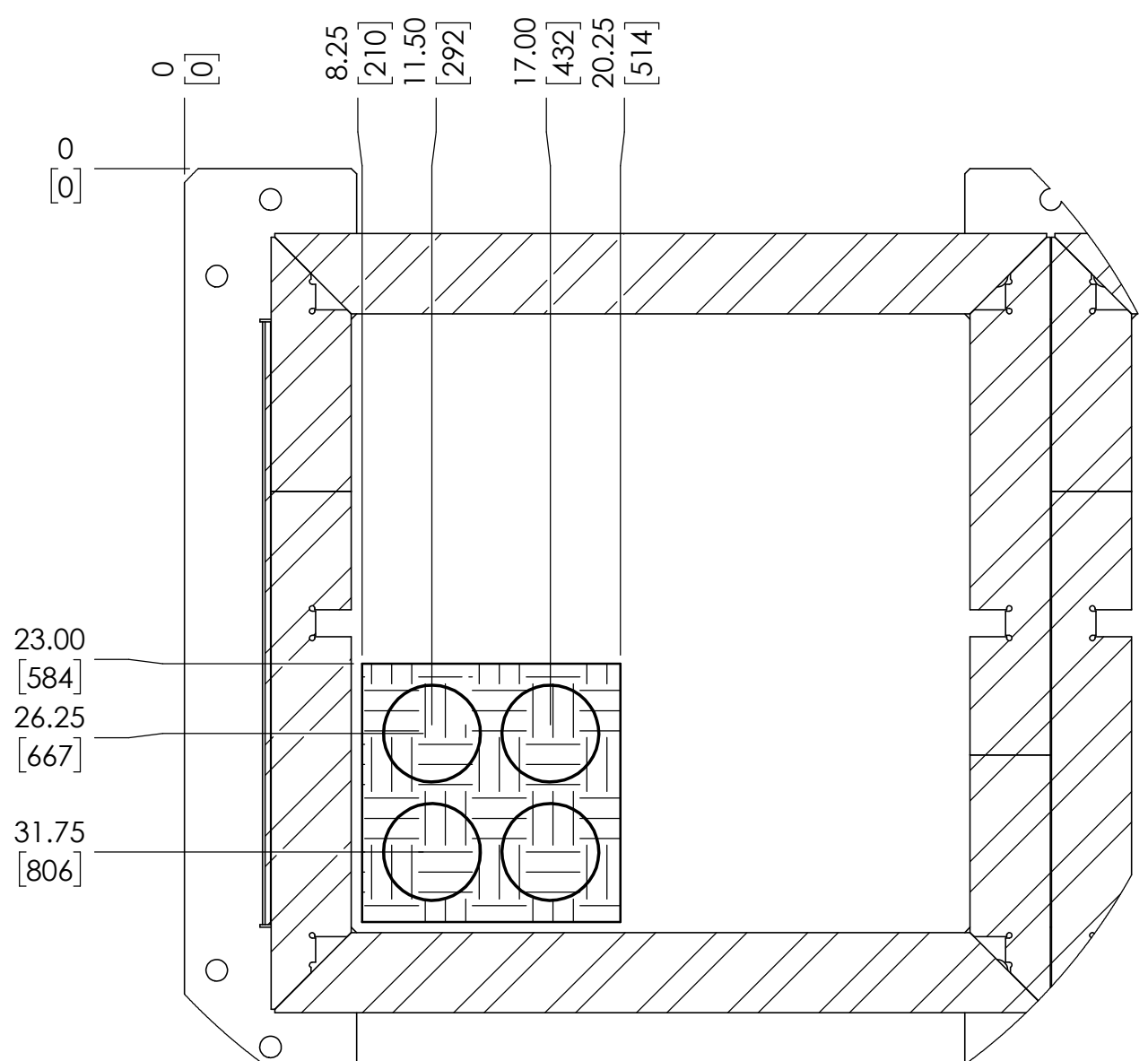
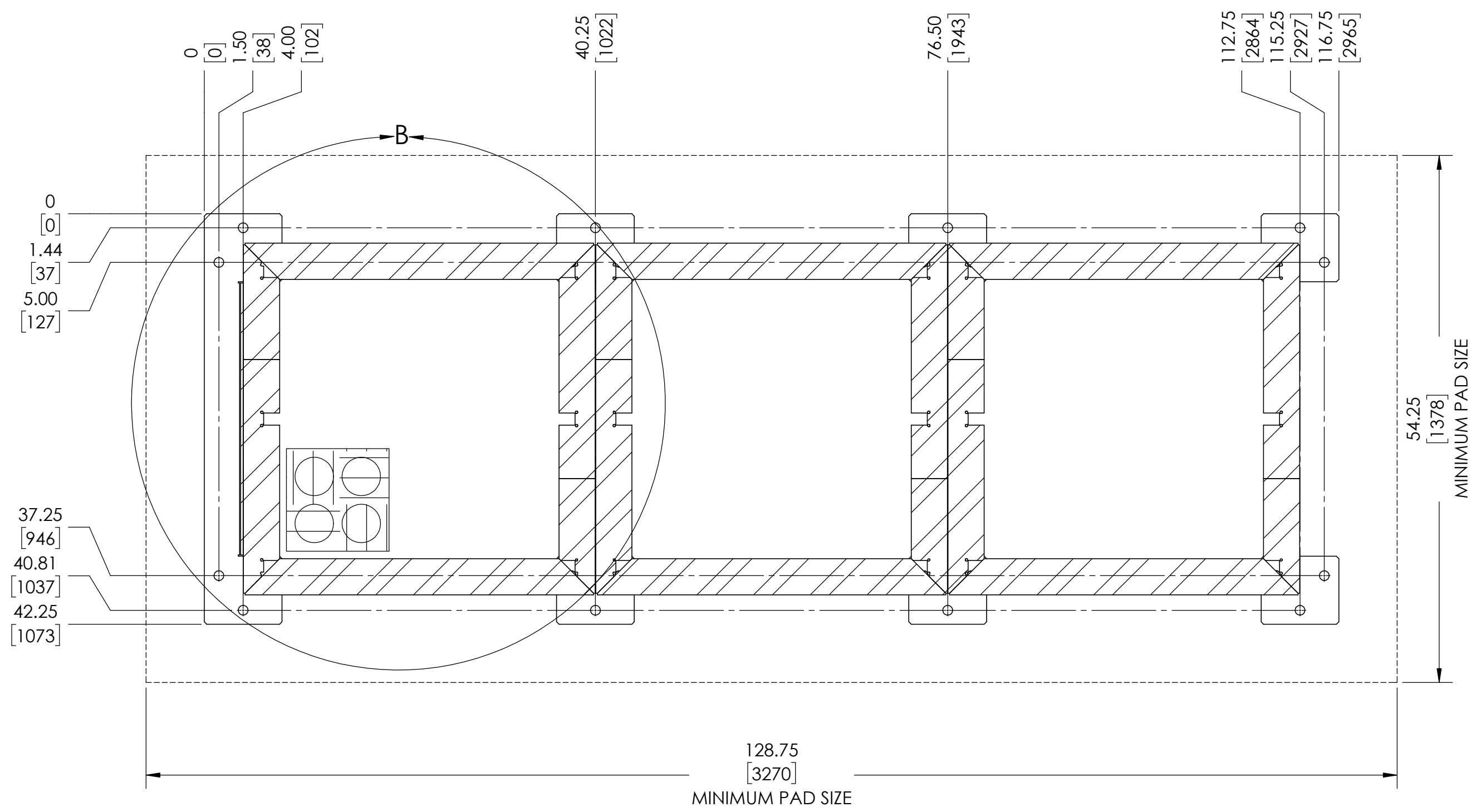
REV   DRN BY   CHK BY   APP BY   DATE	DRN BY   DATE		<b>EPIC SERIES 2.0 CONSOLE</b> INTERNAL LAYOUT: 1 ELEC. / 1 BATT. SALES ORDER No. N/A
B   KJB   RCF   RCF   05/01/24	KJB   05/01/24		
DESCRIPTION	CHK BY   DATE	<small>UNLESS OTHERWISE SPECIFIED ALL DIMENSIONS FOLLOW THE ANSI OVER SIZE (INCHES POUNDS &amp; SECONDS) TOLERANCES ARE: FINIC: ±.004, DEC: ±.010, ANG: ±.5°</small>	
UPDATED DESIGN	RCF   05/01/24	TITLE: <b>JE5270-53</b>	
	APP BY   DATE	SCALE: 1:10	
	RCF   05/01/24	SHEET: 1 OF 1	



NOTE 2



SECTION A-A  
MOUNTING DIMENSIONS

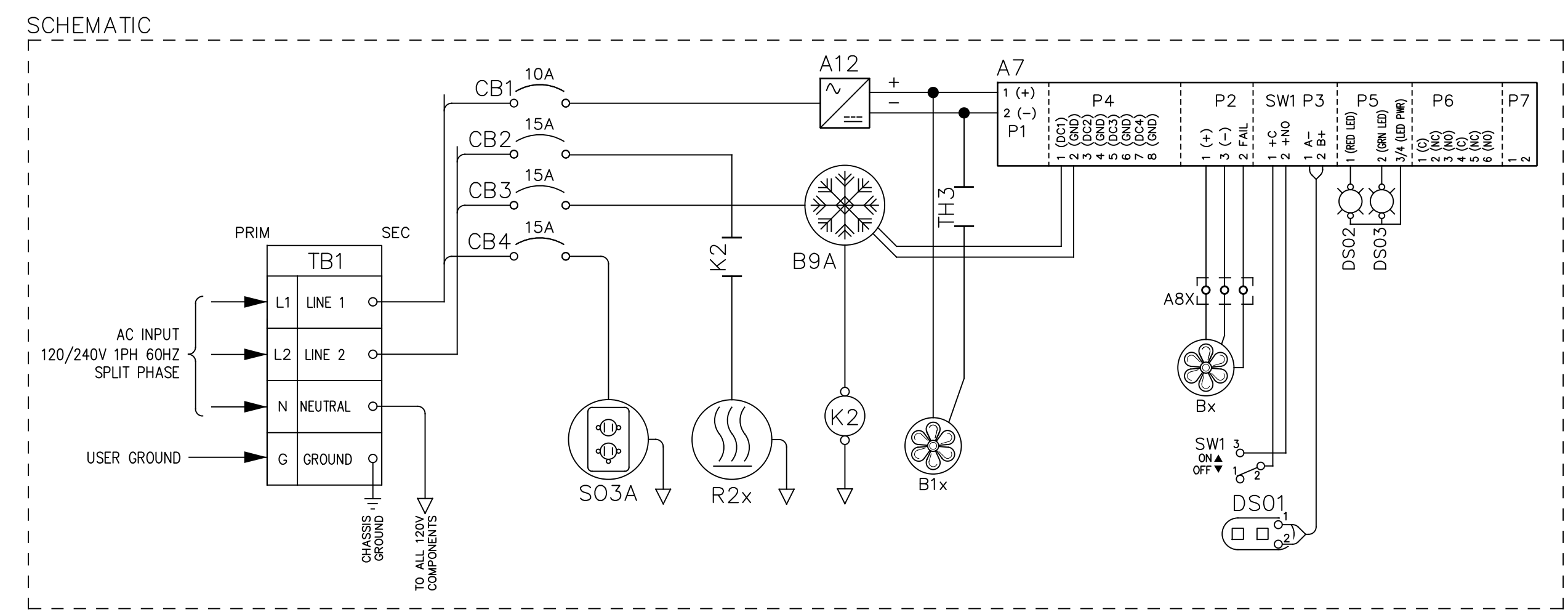
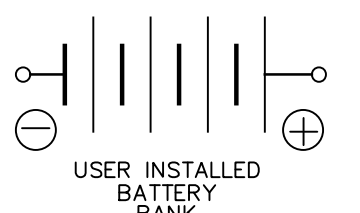
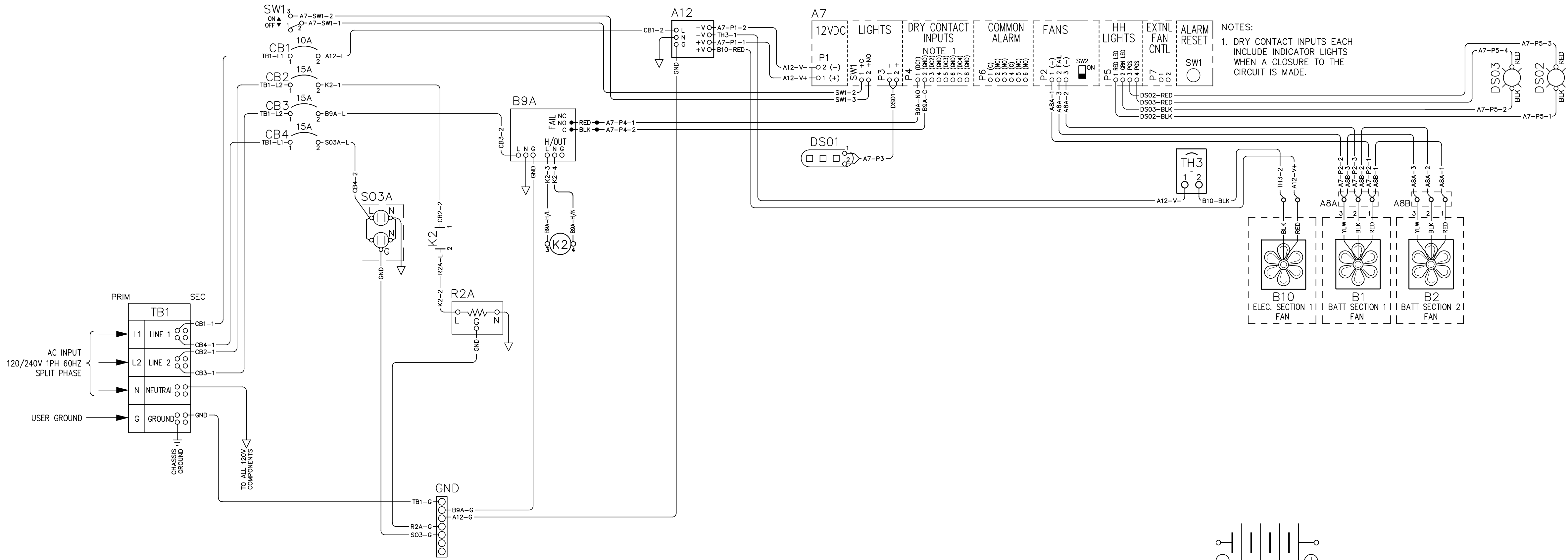


DETAIL B  
SCALE 1 : 8

NOTES:

1. MOUNTING DIMENSIONS SHOWN ON DRAWING ARE FINAL. WE RECOMMEND PLACING CONSOLE, THEN DRILLING FOR MOUNTING ANCHORS.
2. ANCHOR BOLTS ARE TO BE HILTI M12 HDA-TR STAINLESS STEEL UNDERCUT (OR EQUIVALENT). HOLE DEPTH TO BE MINIMUM OF 5.3" [135mm], PAD DEPTH TO BE MINIMUM OF 8.0" [203mm]
3. CONCRETE PAD TO EXTEND A MINIMUM OF 6" [153mm] FROM EDGE OF CABINET ON ALL SIDES. SEE MOUNTING DIMENSIONS BELOW. THE WEIGHT OF THE CONSOLE WITH BATTERIES (SPECIFIED IN PURCHASE ORDER) IS 1390lb [630kg]
4. CONCRETE PAD TO BE 4000 psi OR GREATER.
5. ELECTRICAL CONDUIT MAY ENTER FROM UNDERNEATH CABINET, BUT ONLY THROUGH STUB-UP LOCATIONS SHOWN IN DETAIL B.
6. CONDUIT ENTRY PROVIDED THROUGH SIDE PANEL 10.5in BY 14in GLAND PLATE AVAILABLE FOR KNOCKOUT. KNOCKOUTS MAY NOT BE VISIBLE, USE DIMENSIONS TO VERIFY BREAKAWAY POINTS.

REV   DRN BY   CHK BY   APP BY   DATE	DRN BY   DATE		975 East 10th Street Suite 100, Westland Michigan 48186-1000 www.hindlepower.com
B   KJB   RCF   RCF   05/01/24	KJB   05/01/24		
DESCRIPTION	CHK BY   DATE	<b>EPIC SERIES 2.0 CONSOLE</b> FOUNDATION DRAWINGS SALES ORDER No. N/A	
UPDATED DESIGN	RCF   05/01/24	SCALE: DWG/NO 1:11	
APP BY   DATE RCF   05/01/24		TITLE EPIC SERIES 2.0 CONSOLE FOUNDATION DRAWINGS SALES ORDER No. N/A	
ALL DIMENSIONS FOLLOW THE ANSI SYSTEM OF UNITS (INCHES, FEET AND DECIMALS) (MILLIMETERS AND METRIC) DEC = 1/16, 1/8, 1/4, 3/8, 1/2, 5/8, 3/4, 7/8, 1		SCALE: 1:11 SHEET 1 OF 1	



EPIC SERIES COMPONENTS

SYMBOL	DESCRIPTION
A7	FAN/LIGHT BOARD
A8x	FAN BOARD(S)
A12	12VDC POWER SUPPLY
B9x	AIR CONDITIONING UNIT(S)
Bx	BATTERY SECTION VENT FANS
B1x	ELECTRIC SECTION VENT FANS
CB1	CIRCUIT BREAKER FOR A12 P/S
CB2	CIRCUIT BREAKER FOR HEATER
CB3	CIRCUIT BREAKER FOR AIR CONDITIONER
CB4	CIRCUIT BREAKER FOR GFI OUTLET
DS01	CONSOLE LED LIGHTS
DS02	RED LED
DS03	GREEN LED
E2	HEAT AND AC TERMINAL BLOCK
K2	HEATER SYSTEM RELAY
R2x	HEATER
SO3x	15A GFI OUTLET(S)
SW1	CONSOLE LED LIGHT SWITCH
TB1	AC INPUT TERMINAL BLOCK
TH3	ELECTRONIC SECTION THERMAL SENSOR

LEGEND FOR EPIC LINE

SYMBOL	DESCRIPTION
○	DEVICE TERMINAL
⊙	TERMINAL BLOCK POINT IN TRANSFORMER
⊚	TERMINAL BLOCK POINT FOR SCADA
⊛	TERMINAL BLOCK POINT FOR COMMUNICATIONS
⊜	TERMINAL BLOCK POINT IN POWER CIRCUIT BREAKER
▲	TERMINAL IN A.C. OR D.C. PANELBOARD
—	SHIPPED WITH WIRING INSTALLED
- - -	WIRING TO BE INSTALLED

I/O TERMINAL	DESCRIPTION - TYPE	CONNECTION
TB1 PRIM	L1, L2, AC INPUT / USER NTRL, GND TERMINALS - CU-ALUMINUM COMP LUG	(1) 2/0-#14 AWG
TB1 SEC	LINE 1, LINE 2 AC INPUT / USER NTRL, GND TERMINALS - CU-ALUMINUM COMP LUG	(4) #4-#14 AWG

REV: 1 DRN BY: B KJB CHK BY: CMF DATE: 10/18/2024	DRN BY: KJB DATE: 10/18/21 CHK BY: CMF DATE: 10/18/21	APP BY: RCF DATE: 10/18/21	<p>1075 South John Street Easton, PA 18042-6661 PH 610-330-9000 FAX 610-330-8810 www.handlepowerinc.com</p>
DESCRIPTION: STANDARD DRAWINGS TITLE: EPIC SERIES 2.0 CONSOLE CONNECTION DIAGRAM: 1 ELEC. SECTION 2 BATT SECTION SALES ORDER NO. N/A			REV: B SHEET: 1 OF 1
PROPERTY AND CONFIDENTIAL NOTICE ALL RIGHTS RESERVED. NO PART OF THIS DOCUMENT MAY BE REPRODUCED OR TRANSMITTED IN ANY FORM OR BY ANY MEANS, ELECTRONIC OR MECHANICAL, INCLUDING PHOTOCOPYING, RECORDING, OR BY ANY INFORMATION STORAGE AND RETRIEVAL SYSTEM, WITHOUT PERMISSION IN WRITING FROM HANDLE POWER, INC.			SCALE: DWG NO: JE5272-53 INTS: 1