



AT10.1 SERIES

Operating and Service Instructions

MICROPROCESSOR-CONTROLLED
FLOAT BATTERY CHARGER

SINGLE PHASE INPUT

GROUP II
(30 - 100 Adc)



HINDLEPOWER

JA5011-02

HOW TO READ THE AT10.1 MODEL NUMBER

GROUP II RATINGS (30-100 Adc)

The **AT10.1** configured model number is coded to describe the unit's features and options. Please identify the model number printed on the data nameplate decal, and write it in the spaces provided below.

AT10														
A	B	C	D	E	F	G	H	J	K	L	M	N	P	

Follow the chart below to determine the configuration of the AT10.1.

DESCRIPTION	CODE	FEATURE
A SERIES	AT10	AT10.1 BATTERY CHARGER
B NOMINAL DC OUTPUT VOLTAGE	012	12 Vdc
	024	24 Vdc
	048	48 Vdc
	130	130 Vdc
C NOMINAL DC OUTPUT CURRENT	030	30 Adc
	040	40 Adc
	050	50 Adc
	075	75 Adc
D DC OUTPUT FILTERING	100	100 Adc
	F	FILTERED (STANDARD w/BATT)
	E	ELIMINATOR (w/o BATTERY)
	S	SPECIAL 30 mV RMS (at 130V BATT)
E AC INPUT VOLTAGE	U	UNFILTERED
	120	120 Vac 60 Hz
	208	208 Vac 60 Hz
	240	240 Vac 60 Hz
	480	480 Vac 60 Hz
	600	550-600 Vac 60 Hz
	220	220 Vac 50/60 Hz
	380	380 Vac 50/60 Hz
416	416 Vac 50/60 Hz	

DESCRIPTION	CODE	FEATURE
F AC CIRCUIT BREAKER RATING (SEE TABLE)	S	STANDARD
	M	MEDIUM AIC
	H	HIGH AIC
	∅	NO AC BREAKER
G AC FUSES (200 kAIC)	F	SUPPLIED
	X	NOT SUPPLIED
H DC CIRCUIT BREAKER RATING (SEE TABLE)	S	STANDARD
	M	MEDIUM AIC
	H	HIGH AIC
	∅	NO DC BREAKER
J DC FUSES (20 kAIC)	F	SUPPLIED
	X	NOT SUPPLIED
K AUX ALARM RELAY BOARD	A	SUPPLIED
	X	NOT SUPPLIED
L COPPER GROUND BUS	G	SUPPLIED
	X	NOT SUPPLIED
M LIGHTNING ARRESTOR	L	SUPPLIED
	X	NOT SUPPLIED
N FUNGUS PROOFING	F	APPLIED
	X	NOT APPLIED
P STATIC PROOFING	S	APPLIED
	X	NOT APPLIED

DESCRIPTION CODE FEATURE

DESCRIPTION CODE FEATURE

INPUT AND OUTPUT INTERRUPTING CAPACITY RATINGS

ORDER CODE	CIRCUIT BREAKER TYPE	AC CIRCUIT BREAKER RATINGS (208/240/480 Vac) *	DC CIRCUIT BREAKER RATINGS (125/250 Vdc)	OPTIONAL AC FUSE RATING (208-600 Vac)	OPTIONAL DC FUSE RATING (12/24/48/130 Vdc)
S	STANDARD	5,000 AIC	5,000 AIC	200,000 AIC	20,000 AIC
M	MEDIUM AIC	25,000 AIC	10,000 AIC		
H	HIGH AIC	65,000 AIC	20,000 AIC		

* Contact your sales representative 550-600 Vac 60Hz circuit breaker AIC ratings.

NOTICE

The factory-configured model number printed on the AT10.1 data nameplate decal does not feature certain options and accessories. Nor does it feature any field-installed options. Check off below any options and/or accessories that are initially included, or are installed after shipment.

<input type="checkbox"/>	floor/wall/rack-mounting brackets	<input type="checkbox"/>	zero-center ground detection meter w/test switch
<input type="checkbox"/>	NEMA Type-2 drip shield	<input type="checkbox"/>	end of discharge alarm relay
<input type="checkbox"/>	NEMA Type-4 (12/13) cabinet	<input type="checkbox"/>	battery discharge alarm relay
<input type="checkbox"/>	cabinet heater strips	<input type="checkbox"/>	barrier type auxiliary alarm terminal block(s)
<input type="checkbox"/>	pad/key lock for front panel door	<input type="checkbox"/>	external temperature compensation probe
<input type="checkbox"/>	analog ac voltmeter	<input type="checkbox"/>	DNP3 Level 2 / Modbus communications module
<input type="checkbox"/>	analog ac ammeter	<input type="checkbox"/>	forced load sharing signal interconnection cable

Please find the serial number on the data nameplate and record it here:

MANUFACTURER'S WARRANTY



FIVE-YEAR WARRANTY NEW PRODUCT - BATTERY CHARGER



[applies only to product(s) delivered within the United States and Canada]

Product Details:

Battery Charger Model:	
Factory Ordering Code:	
Battery Charger Serial Number:	
Date Shipped:	
Date Energized:	

Standard Warranty

This product is warranted to be free from defects in material and workmanship for a period of **five (5) years** from date of manufacture.

During the term of the warranty period: parts, assemblies, or components deemed to be defective will be repaired or replaced at the manufacturer's option, free of charge. All costs related to removal, reinstallation and transportation will be paid by the purchaser/customer and/or operator of the product. Evaluation, repair and/or replacement of any defective part(s) are FOB manufacturer's factory.

This warranty does not cover products or parts that are damaged from improper use or abuse, as determined by the manufacturer. Accessory items or additional items carry only their respective manufacturer's warranty. Consumable items (such as fuses and electrolytic capacitors), which wear out under normal use are specifically not covered by this standard warranty. Any consequential damage due to diagnosis or repair by any party other than the manufacturer's authorized personnel is not covered under this warranty.

MANUFACTURER'S WARRANTY

❑ Extended Spare Parts Warranty

The manufacturer's extended warranty includes all items as mentioned in the "**Standard Warranty**" as previously listed, plus reasonable in/out freight costs related to a warranty claim for parts. Said freight cost is based on either standard UPS rates or common carrier only, as appropriate. Contact your sales representative for more information & pricing regarding the extended spare parts warranty.

❑ Magnetic Parts 25-Year Extended Warranty (equal to 5% of the original purchase price)

Lifetime warranty (*limited to 25 years from date of shipment*) covers battery charger major electromagnetic components (T1 transformer, L1 inductor & L2 inductor) as applicable. Coverage is for 100% replacement of any covered magnetic component that fails during normal use. Abuse, neglect, and damage from outside sources or improper application will make this warranty null and void. The manufacturer reserves the right to make final determination regarding the application of this warranty. The manufacturer will be responsible for costs related to inbound and outbound freight of warranted magnetic components (T1, L1 & L2).

Freight cost is based on standard UPS rates or common carrier only, as appropriate. Costs related to removal and/or reinstallation of warranted magnetic components will be the responsibility of the purchaser/customer and/or operator of the product. Contact your sales representative for more information & pricing regarding the magnetic parts extended warranty.

NOTICE

Requests for returns or warranty claims **must** be made via manufacturer's Return Material Authorization (RMA) instructions and assignment.

Contact your sales representative for more information & pricing regarding returns or warranty claims. Returns that do not follow this procedure will not be honored.

Election to any of the above offered extended warranties must be done within the terms of the initial standard warranty.

PLEASE READ AND FOLLOW ALL SAFETY INSTRUCTIONS

NOTICE

1. Before using the AT10.1, read all instructions and cautionary markings on:
A) this equipment, B) battery, and C) any other equipment to be used in conjunction with the AT10.1.
2. This manual contains important safety and operating instructions, and should therefore be filed for easy access.
3. Remove all jewelry, watches, rings, etc. before proceeding with installation or service.
4. Maintain at least 6in / 152mm of free air on all vented surfaces for cooling. Allow sufficient clearance to open the front panel for servicing.
5. Connect or disconnect the battery only when the AT10.1 is off, to prevent arcing or burning.
6. Do not operate the AT10.1 if it has been damaged in any way. Refer to qualified service personnel.
7. Do not disassemble the AT10.1. Only qualified service personnel should attempt repairs. Incorrect reassembly may result in explosion, electrical shock, or fire.
8. Do not install the AT10.1 outdoors, or in wet or damp locations, unless specifically ordered for that environment.
9. Do not use the AT10.1 for *ANY* purpose not described in this manual.

WARNING

1. Do not touch any uninsulated parts of the AT10.1, especially the input and output connections, as there is the possibility of electrical shock.
2. During normal operation, batteries may produce explosive gas. Never smoke, use an open flame, or create arcs in the vicinity of the AT10.1 or the battery.
3. Turn the AT10.1 off before connecting or disconnecting the battery to avoid shock hazards and/or equipment damage.
4. De-energize and lock out all ac and dc power sources to the AT10.1 before servicing.
5. Do not operate the AT10.1 with any power source that does not match the specified ac and dc voltage ratings. Refer to the data nameplate decal affixed to the outside panel for operational requirements.
6. Do not operate the AT10.1 with the acrylic safety shield or any other supplied guards removed or improperly installed.

TABLE OF CONTENTS

HOW TO READ THE AT10.1 MODEL NUMBER.....	Inside Front Cover
MANUFACTURER'S WARRANTY.....	Removable Form
IMPORTANT SAFETY INSTRUCTIONS.....	i

1 Receiving and Installing the AT10.1 Battery Charger

1.1 Storing the AT10.1.....	2
1.2 Reporting shipping damage.....	2
1.3 Unpacking and inspecting the AT10.1.....	2
<i>Inspection checklist</i>	2
1.4 Moving the AT10.1.....	3
<i>Enclosure type and weight table</i>	3
1.5 Mounting the AT10.1.....	3
1.5.1 Wall-Mounting the AT10.1.....	4
1.5.2 Floor-Mounting the AT10.1.....	6
1.5.3 Rack-Mounting the AT10.1.....	8
1.6 Changing transformer taps.....	10
1.7 Making the ac input connections.....	12
1.8 Making the dc output connections.....	14
1.9 Wiring the AT10.1 for remote sensing.....	16
1.10 Wiring to the remote alarm contacts.....	18
<i>Auxiliary Alarm Relay PC Board (optional)</i>	19
1.11 Installing the temperature compensation probe (optional).....	20
<i>Using temperature compensation</i>	22
1.12 Installing the AT10.1 for remote communications (optional).....	23
1.13 Installing the AT10.1 for forced load sharing (optional).....	23

2 Operating the AT10.1 Battery Charger

2.1 Starting the AT10.1	
2.1.1 Understanding the start-up sequence.....	24
2.1.2 Checking the installation.....	24
2.1.3 Starting the AT10.1.....	24
<i>Using the digital meter</i>	24
<i>Factory settings table</i>	25
2.2 Using the AT10.1 front panel features	
2.2.1 If the meter displays an error message.....	26
2.2.2 Selecting the meter mode.....	26
2.2.3 Selecting the Float or Equalize mode.....	27
2.2.4 Choosing the Equalize method.....	27
<i>Manual Timer method</i>	27
<i>Manual Equalize method</i>	28
<i>Auto-Equalize Timer method</i>	28
2.2.5 Testing the front panel indicators.....	29
2.2.6 Testing the Auxiliary Alarm Relay PC Board (optional).....	29
2.2.7 Interpreting the alarm indicators.....	29

TABLE OF CONTENTS

2.3	Setting the AT10.1 parameters	
2.3.1	Understanding parameter settings	30
2.3.2	Setting the Float and Equalize voltages	31
2.3.3	Setting the Equalize timer	32
2.3.4	Setting the Alarms	32
	<i>Setting the high and low dc voltage alarms</i>	33
	<i>Adjusting ground detection sensitivity</i>	34
	<i>Disabling the ground detection alarm</i>	35
2.3.5	Setting the Current Limit value	35
2.3.6	Enabling the high dc voltage shutdown feature	36
2.3.7	Adjusting the Voltmeter accuracy.....	37
2.3.8	Using the Low Level Detector (LLD)	38
2.3.9	Using the front panel security feature	39
2.4	Performing routine maintenance.....	40
	<i>Sample preventive maintenance procedure</i>	42
3	Servicing the AT10.1 Battery Charger	
3.1	A step-by-step troubleshooting procedure	44
3.2	Interpreting front panel error messages.....	45
3.3	Using the troubleshooting chart	48
3.4	Troubleshooting chart begins on.....	49
3.5	Replacing defective components	58
3.6	Ordering replacement parts.....	62
	<i>Replacement parts tables (begin on)</i>	62
	APPENDIX A: AT10.1 Performance Specifications	70
	APPENDIX B: Field Installable Accessories	71
	APPENDIX C: Standard Drawings *	
	Outlines: AT10.1 Group II Battery Charger NEMA-1 Style-5017 / 5018 Enclosure	72 / 74
	Internal Component Layouts: AT10.1 Style-5017 / 5018 Enclosure w/Common Options	76 / 78
	Control Panel / PC Board Detail: AT10.1 Group II Battery Charger	80
	Schematics: AT10.1 Group II Battery Charger - Standard / Optional	82 / 84
	Connection Diagram: AT10.1 Group II Battery Charger - Standard / Optional	86 / 88
	APPENDIX D: Recommended Float/Equalize Voltages / Temp. Compensation	90
	APPENDIX E: DNP3 Level 2 / Modbus Communications Module	91
	APPENDIX F: Forced Load Sharing	92
	APPENDIX G: CE Grounding Compliance	94
	APPENDIX H: Remote Shutdown	95
	APPENDIX J: Battery Open Alarm	96
	MANUAL SPECIFICATIONS	100
	RELATED DOCUMENTS (web-based content)	Inside Back Cover

** A customized record drawing package is available for your particular AT10.1, featuring an itemized internal component layout, electrical schematic with component ratings, and a full connection diagram. If the standard drawings featured in this manual are not sufficient, please contact your Sales Representative for drawing availability from the AT10.1 manufacturer.*

RECEIVING THE AT10.1

1. RECEIVING THE AT10.1

1.1. STORING THE AT10.1

If you store the AT10.1 for more than a few days before installation, store it in the original shipping container, and in a temperature-controlled, dry climate. Ambient temperatures of 0 to 122 °F / -18 to 50 °C are acceptable. Storage should not exceed two (2) years due to the limited shelf life of the dc filter capacitors when they are not in service.

1.2. REPORTING SHIPPING DAMAGE

Upon delivery of the AT10.1 (or related products) if you discover any damage or shortage, make notation on all copies of delivering carrier's delivery receipt before signing and notify the delivery person of your findings. If loss or damage is discovered after delivery, notify delivering carrier immediately and request an inspection. The manufacturer does not assume any liability for damage during transportation or handling.

Should the products require an inspection by (or return to) the manufacturer, please contact your sales representative for further instructions. Any returned material must be properly packed in compliance with shipping regulations. It is preferable to use the original shipping materials if possible. Mark the outside of the shipping container with the Return Material Authorization (RMA) number issued by the manufacturer.

1.3. UNPACKING AND INSPECTING THE AT10.1

Carefully remove all shipping materials from the AT10.1. Remove the AT10.1 from the shipping pallet for inspection. Save all shipping materials until you are sure that there is no shipping damage.

Once the AT10.1 is unpacked, inspect the unit for possible shipping damage, using the checklist below. If shipping damage has occurred, refer to Section 1.2 on this page for proper reporting.

INSPECTION CHECKLIST

- Enclosure exterior and interior are not marred or dented.
- There is no visible damage to exterior or interior components.
- All internal components are secure.
- Printed circuit boards are firmly seated on their standoffs.
- All hardware is tight.
- All wire terminations are secure.
- The User's Manual is included.
- You received all items on the packing list.

1.4. MOVING THE AT10.1

Once you have established that the AT10.1 is undamaged, identify the enclosure style and weight of your unit. Refer to the table below.

AT10.1 Group II - Style and Shipping Weight Table
NEMA Type-1 Enclosures (**Style-5017** / **Style-5018**)

Output Voltage	Ampere Rating				
	30 Adc	40 Adc	50 Adc	75 Adc	100 Adc
12 Vdc	Style-5017 140 lb 63 kg	Style-5017 155 lb 70 kg	Style-5017 170 lb 77 kg	Style-5018 220 lb 100 kg	Style-5018 280 lb 127 kg
24 Vdc	Style-5017 150 lb 68 kg	Style-5017 180 lb 82 kg	Style-5017 190 lb 86 kg	Style-5018 250 lb 113 kg	Style-5018 320 lb 145 kg
48 Vdc	Style-5017 170 lb 77 kg	Style-5017 220 lb 100 kg	Style-5017 240 lb 109 kg	Style-5018 340 lb 154 kg	Style-5018 440 lb 200 kg
130 Vdc	Style-5017 220 lb 100 kg	Style-5018 300 lb 136 kg	Style-5018 320 lb 145 kg	Style-5018 440 lb 200 kg	n/a

Actual unit weight is approximately 20 lb / 9kg below listed shipping weight in table.

The Style-5017 & Style-5018 enclosures do not feature top lifting eyes for moving. Move the AT10.1 with a forklift whenever possible, using the supplied shipping pallet.

To lift the AT10.1 into a wall-mount or rack-mount installation, use a heavy-duty sling or a scissor lift. To place the AT10.1 into a floor-mount installation, use a forklift, lifting the Style-5018 enclosure from the bottom between the mounting legs.

For further AT10.1 standard enclosure information, see the outline drawings for the Style-5017 ([JE5025-00](#)) and Style-5018 ([JE5026-00](#)) enclosures in Appendix C on pages 72 and 74.

1.5. MOUNTING THE AT10.1

The AT10.1 must be installed in manner that allows easy access to the front ac (CB1) and dc (CB2) circuit breakers. Chose a mounting method for the AT10.1 enclosure from the table below.

MANUAL SECTION	MOUNTING METHOD	ENCLOSURE	
		Style-5017	Style-5018
1.5.1	Wall-Mounting	STANDARD	OPTIONAL
1.5.2	Floor-Mounting	OPTIONAL	STANDARD
1.5.3	19in / 483mm Rack-Mounting	OPTIONAL	n/a
	23-24in / 584-610mm Rack-Mounting	OPTIONAL	OPTIONAL

INSTALLING THE AT10.1

1.5.1. Wall-Mounting the AT10.1

Wall-mounting is the standard means of installing the AT10.1 Style-5017 enclosure. When wall-mounting the AT10.1, consider the following:

1. Refer to the outline drawing ([JE5025-00](#)) in Appendix C on page 72 for the overall footprint of the Style-5017 enclosure.
2. The wall must be strong enough to properly support the weight of the AT10.1, plus a safety factor. See the Weight Table featured in Section 1.4 on page 3. The weight of your AT10.1 may be different, depending on the feature, options, and accessories ordered with the unit.
3. Be conscious of planned ac input and dc output wiring to the AT10.1, selecting conduit entrances carefully. Note the standard pre-fab conduit knockouts located on the sides of the enclosures.
4. The location:
 - Should be free of drips and splatter. If falling particles and liquids are a problem, install a NEMA Type-2 drip shield (p/n **EI0191-01**). For kit availability, see ordering information in Appendix B on page 71.
 - Should be between 0 and 122 °F / -18 and 50 °C, with relative humidity between 5% and 95% non-condensing.
 - Must be free of flammable or explosive materials.
5. Maintain at least 6in / 152mm of free air on all vented surfaces for cooling.
6. Allow at least 36in / 914mm front clearance for access to the AT10.1 for operation and maintenance.

NOTICE

If you need to wall-mount a *larger* AT10.1, housed in a Style-5018 enclosure, a wall-mounting bracket accessory (p/n **EI5008-00**) is required. For kit availability see ordering information in Appendix B on page 71. The kit includes two (2) mounting brackets, special hardware, and *Installation Instructions* ([JA5063-00](#)) for the wall-mounting procedure.

INSTALLING THE AT10.1

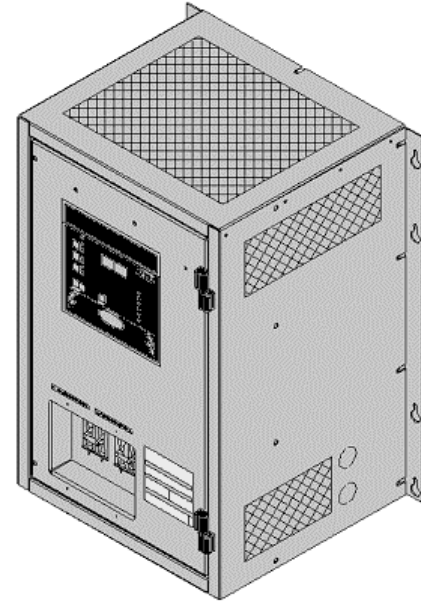
PROCEDURE (Style-5017 enclosure)

To wall-mount the AT10.1, install eight (8) 0.25in / 6.4mm anchor bolts, rated to support the unit weight plus a safety factor of at least two (2) times, into the wall.

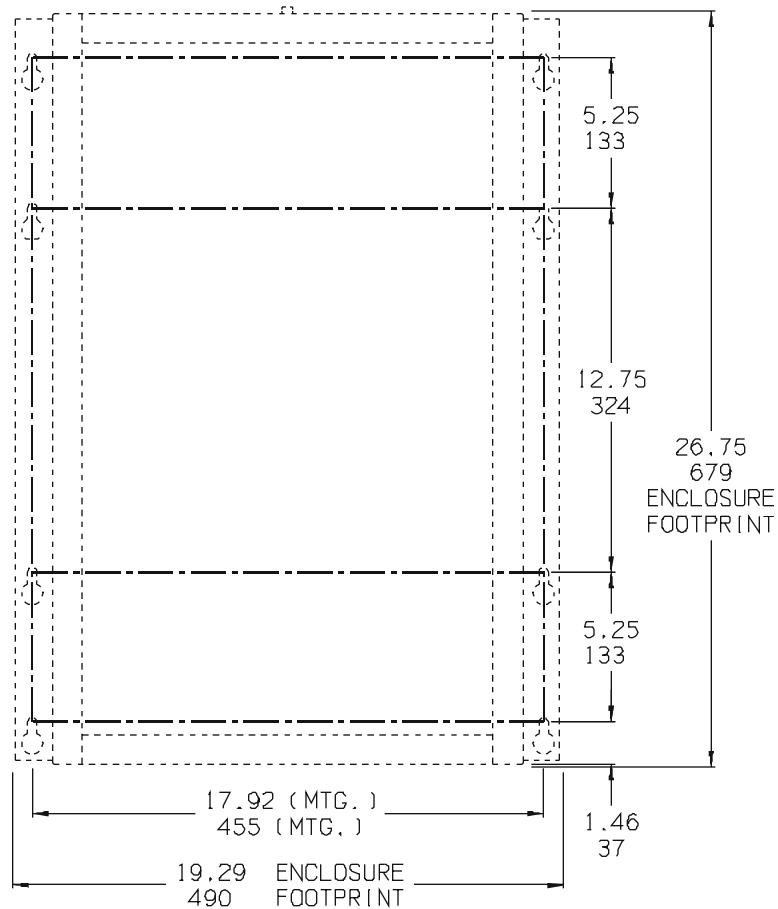
Place the AT10.1 on the anchor bolts, add appropriate mounting hardware, and tighten securely.

Refer to the graphic below for the AT10.1 Style-5017 wall-mounting pattern and enclosure footprint.

Dimensions are in/mm.



Style-5017 Enclosure



INSTALLING THE AT10.1

1.5.2. Floor-Mounting the AT10.1

Floor-mounting is the standard means of installing the AT10.1 Style-5018 enclosure. When floor-mounting the AT10.1, consider the following:

1. Refer to the outline drawing ([JE5026-00](#)) in Appendix C on page 74 for the overall footprint of the Style-5018 enclosure.
2. Be conscious of planned ac input and dc output wiring to the AT10.1, selecting conduit entrances carefully. Note the standard pre-fab conduit knockouts located on the sides of the enclosure.
3. The location:
 - Should be free of drips and splatter. If falling particles and liquids are a problem, install a NEMA Type-2 type drip shield (p/n **EI0191-02**). For kit availability, see ordering information in Appendix B on page 71.
 - Should be between 0 and 122 °F / -18 and 50 °C, with relative humidity between 5% and 95% non-condensing.
 - Must be free of flammable or explosive materials.
4. Maintain at least 6in / 152mm of free air on all vented surfaces for cooling.
5. Allow at least 36in / 914mm front clearance for access to the AT10.1 for operation and maintenance.

NOTICE

If you are floor-mounting the AT10.1 in a Style-5017 enclosure, a floor-mounting bracket accessory (p/n **EI0192-00**) is required. For kit availability see ordering information in Appendix B on page 71. The kit includes brackets that elevate the top of the AT10.1 approximately 47in / 1194mm above floor level, with provisions for floor anchoring. The kit also includes special hardware and *Installation Instructions* ([JA0083-00](#)) for the floor-mounting procedure.

INSTALLING THE AT10.1

PROCEDURE (Style-5018 enclosure)

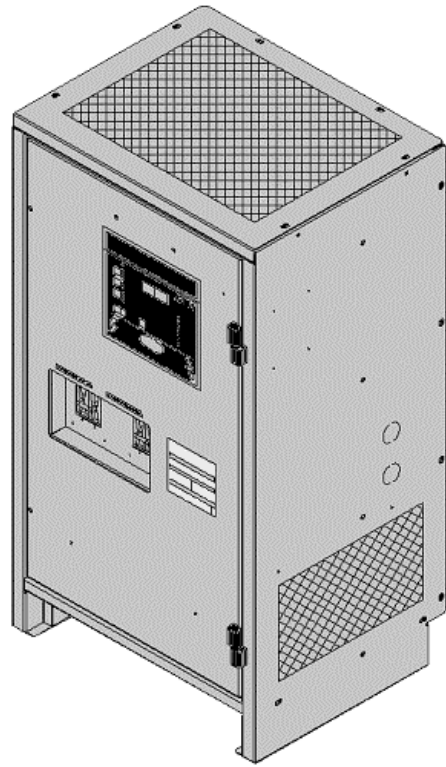
To floor-mount the AT10.1, install four (4) 0.25in / 6.4mm anchor bolts into the floor.

Carefully lift the AT10.1 above the anchor bolts using the methods described in Section 1.4. Guide the enclosure onto the floor bolt pattern and lower it into place.

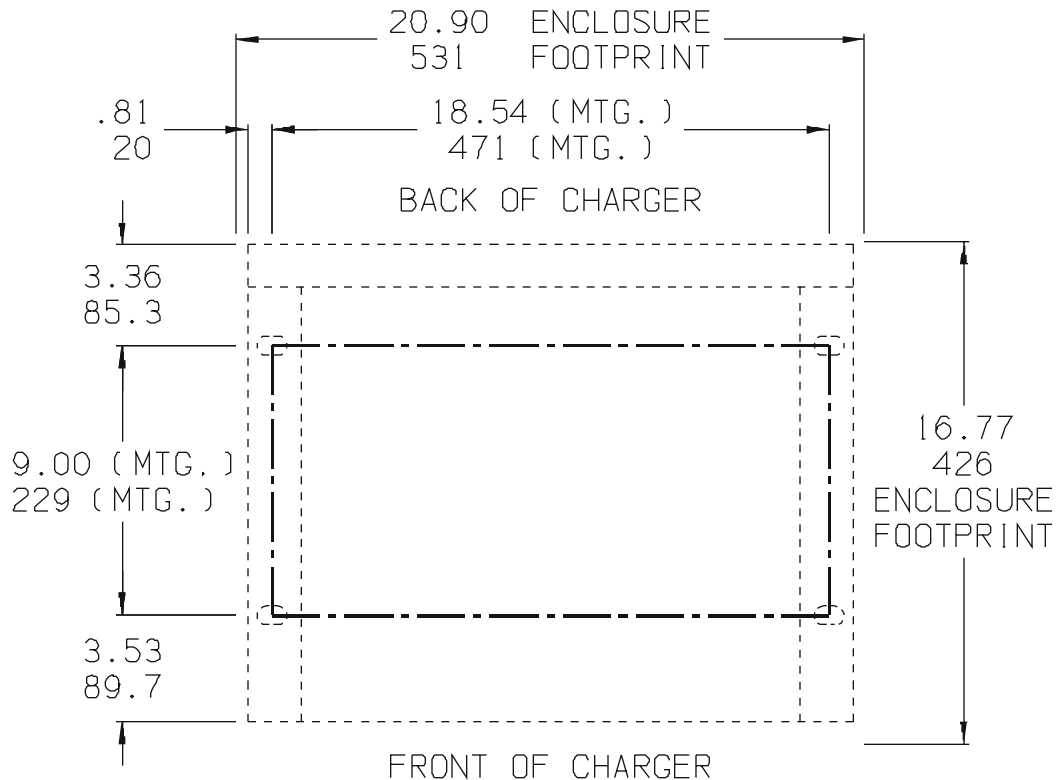
Add appropriate mounting hardware to the anchor bolts and tighten securely.

Refer to the graphic below for the AT10.1 Style-5018 floor-mounting pattern and enclosure footprint.

Dimensions are in/mm.



Style-5018 Enclosure



INSTALLING THE AT10.1

1.5.3. Rack-Mounting the AT10.1

The AT10.1 can be installed in most relay racks with standard EIA hole spacing. The Style-5017 and Style-5018 enclosures do not need to be modified for rack mounting, but a special kit (p/n **EI0193-0#**) is required. For kit availability see the ordering information in Appendix B on page 71. The kit includes two (2) mounting brackets, necessary hardware, and *Installation Instructions* ([JA0091-02](#) / [JA0091-03](#)) for the rack-mounting procedure. Refer to the table below for allowable combinations.

CHARGER RATING		Enclosure Style	RACK WIDTH	
Voltage	Current		19in / 483mm	23-24in / 584-610mm
12 Vdc	30-50 Adc	5017	EI0193-01	EI0193-02
	75-100 Adc	5018	n/a	EI0193-03
24 Vdc	30-50 Adc	5017	EI0193-01	EI0193-02
	75-100 Adc	5018	n/a	EI0193-03
48 Vdc	30-50 Adc	5017	EI0193-01	EI0193-02
	75-100 Adc	5018	n/a	EI0193-03
130 Vdc	30 Adc	5017	EI0193-01	EI0193-02
	40-75 Adc	5018	n/a	EI0193-03
MOUNTING KIT				

When rack-mounting the AT10.1, consider the following:

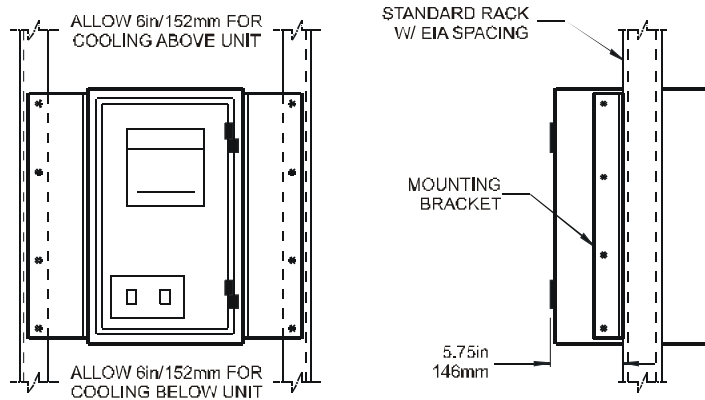
1. The rack must be strong enough to properly support the weight of the AT10.1. See the Weight Table located in Section 1.4 on page 3, or consult the AT10.1 product literature ([JF5006-01](#)).
2. Be conscious of planned ac input and dc output wiring to the AT10.1, selecting conduit entrances carefully. Note the standard pre-fab conduit knockouts located on the sides of the enclosures. Ensure that planned conduit is accessible after the AT10.1 is rack-mounted.
3. The location:
 - Should be free of drips and splatter. If falling particles and liquids are a problem, install a NEMA Type-2 drip shield (p/n **EI0191-0#**). For kit availability, see ordering information in Appendix B on page 71.
 - Should be between 0 and 122 °F / -18 and 50 °C, with relative humidity between 5% and 95% non-condensing.
 - Must be free of flammable or explosive materials.
4. Maintain at least 6in / 152mm of free air on all vented surfaces for cooling.
5. Allow at least 36in / 914mm front clearance for access to the AT10.1 for operation and maintenance.

INSTALLING THE AT10.1

PROCEDURE (Style-5017)

Refer to the detailed *Instructions* ([JA0091-02](#)) supplied with the kit.

- Make sure the side manual pocket is removed.
- Attach the two (2) rack-mounting brackets to the sides of the Style-5017 enclosure, using the supplied 0.25in / 6.4mm hardware, and tighten securely.

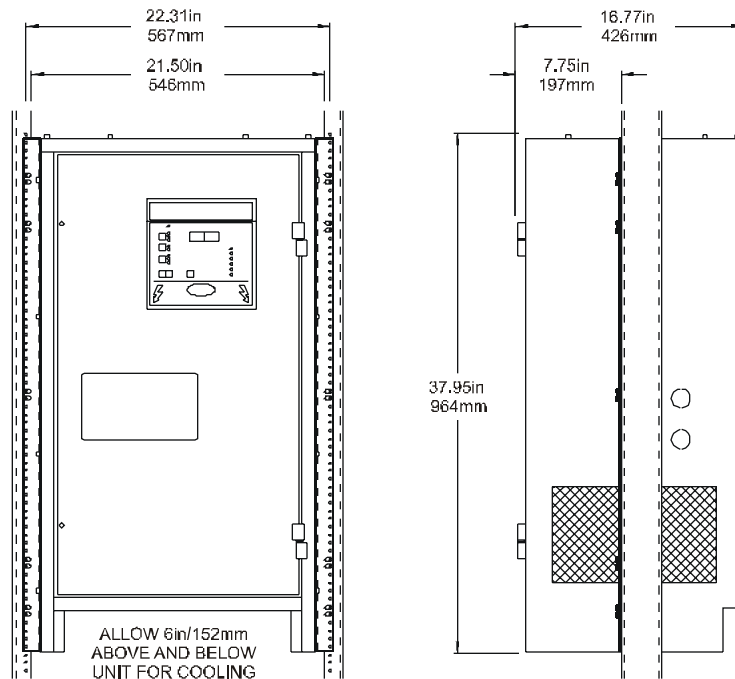


- Using a scissor lift, guide the AT10.1 into the gap of the relay rack.
- Adjust height and mount in place using appropriate hardware (not supplied).

PROCEDURE (Style-5018)

Refer to the detailed *Instructions* ([JA0091-03](#)) supplied with the kit.

- Attach the two (2) rack-mounting brackets to the sides of the Style-5018 enclosure, using the supplied 0.25in / 6.4mm hardware, and tighten securely.



- Using a scissor lift, guide the AT10.1 into the gap of the relay rack.
- Adjust height and mount in place using appropriate hardware (not supplied).

INSTALLING THE AT10.1

1.6. CHANGING THE TRANSFORMER TAPS

⚠ CAUTION Before connecting external power to the AT10.1, verify the ac input voltage listed on the data nameplate decal, and the tag attached to the ac breaker (CB1). The power isolation transformer (T1) is designed with an ac input voltage tolerance of +10% to -12%.

If available on-site ac supply voltage does not match the AT10.1 input requirements, you may need to replace certain ac components. See Section 3.6 on page 62 for ordering replacement parts. Failure to use properly rated components may damage the AT10.1.

If your AT10.1 was supplied with one of the following ac input voltage features, the transformer is re-tappable:

- 120 *or* 208 *or* 240 Vac 60Hz *
- 120 *or* 220 *or* 240 Vac 50/60Hz *
- 380 *or* 416 Vac 50/60Hz
- 550 *or* 600 Vac 60Hz

If the AT10.1 was supplied with the 480 Vac 60Hz ac input feature, the transformer will *only* accept the listed voltage. Do not attempt to re-tap this transformer. If the transformer is not re-tappable, a full ac feature change is needed. Contact your sales representative for ordering *all* voltage and current-specific ac replacement parts (T1, CB1 & VR2-VR5).

⚠ WARNING Before changing the transformer (T1) taps, shut down the AT10.1. Lock out ac and dc power supplies. Merely turning off (opening) the AT10.1 internal circuit breakers does *not* eliminate live voltages inside the enclosure. Allow filter capacitors (C1/C2) to bleed off. De-energize any external wiring to the AT10.1 alarm relay contacts (TB3/TB4). Verify no internal voltages are present before proceeding.

* Group II AT10.1s are wired from the factory to accept a *single* ac input supply voltage. If you are re-tapping from 120V to 208 or 240V, or changing from 208 or 240V to 120V, component and ac wiring replacement is *also* required. Transformer re-taps for 208/240, 380/416, or 550/600 Vac do not require additional changes. For a more detailed description of this procedure, or for ac voltage changes not listed, refer to *Service Instruction* ([JD5026-00](#)).

AT10.1 Group II isolation transformers feature bolted connections, protected with heat shrink insulation, which may need to be removed.

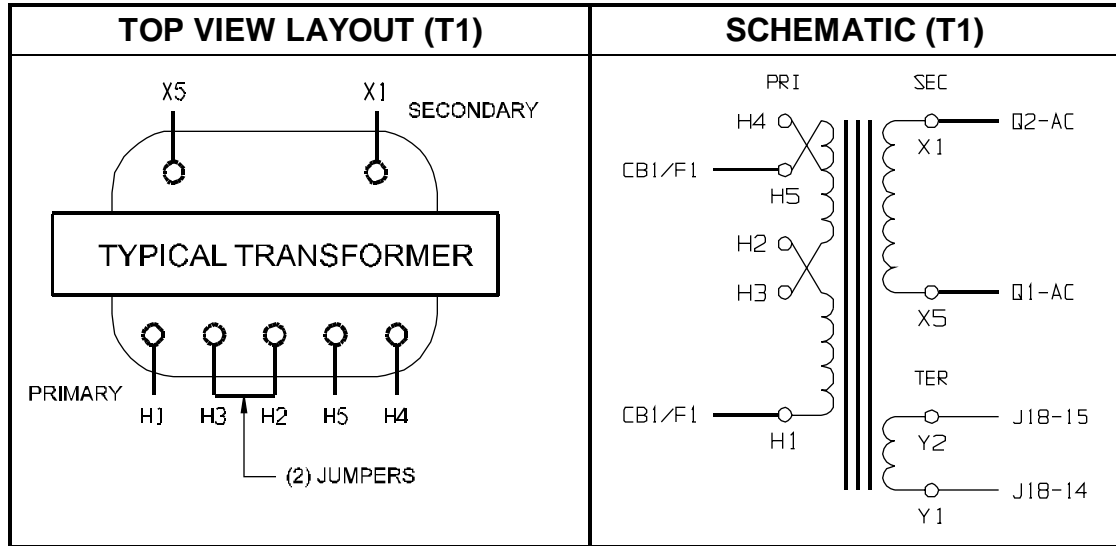
NOTICE This procedure refers *only* to AT10.1 Group II battery chargers (*rated 30-100 Adc*). Refer to a similar procedure, Section 1.6 in O&SI ([JA0102-01](#)) for Group I (*rated 6-25 Adc*) models. Otherwise, damage to the AT10.1 and site equipment may occur.

INSTALLING THE AT10.1

PROCEDURE

1. Shut down the AT10.1, then see Section 3.5 for necessary steps to follow when accessing internal components within the enclosure.
2. Verify that no internal voltages are present before proceeding.
3. Refer to the images below and identify the primary-side "taps" (H#) on the AT10.1 Group II power isolation transformer (T1).

AT10.1 Group II SINGLE PHASE ISOLATION TRANSFORMER (excludes 480 Vac non-tappable variant)



4. Inspect the transformer wiring inside the AT10.1, and identify the five (5) primary "taps" (T1-H1, -H3, -H2, -H5 & T1-H4), arranged left-to-right.
5. Refer to the table below and rewire primary connections as needed.

120 Vac	208 Vac	240 Vac	480 Vac
H1 to H3, H2 to H5	H2 to H4	H2 to H3	n/a

6. If the transformer is supplied with two (2) wiring jumpers per tap, always use both as specified in the table above.
7. Check work for tight connections, and no exposed wires touching ground.
8. **⚠ CAUTION** Confirm any protection devices, upstream from the AT10.1, are adequately sized for the new ac input voltage and current. For maximum ac input current values, refer to standard ([DC5016-00](#)).
9. Restart the AT10.1 using the procedure in Section 2.1.
10. Contact the factory for a new data nameplate with revised ac input values.
11. For more detailed instructions of this procedure, or for voltage changes not listed, refer to *Service Instruction* ([JD5026-00](#)).

INSTALLING THE AT10.1

1.7. MAKING THE AC INPUT CONNECTIONS

WARNING

The AT10.1 is a commercial product, and not intended for use in a residential environment, or to be powered by low-voltage public mains. It is the responsibility of the *installer* of the AT10.1 to provide suitable ac supply wiring. Wiring must be approved for use in the country in which the AT10.1 is installed. When selecting wire sizes, consult the data nameplate decal affixed to the front panel of the AT10.1 for maximum voltage and current requirements. The AT10.1 must also be grounded in accordance with the electrical rules of the country where installed. Follow these steps to supply proper ac power to the AT10.1:

1. Confirm that the AT10.1 main power transformer (T1) is properly jumpered for the site ac input supply voltage. See Section 1.6 for details.
2. Use a branch circuit breaker or fused disconnect switch upstream from the AT10.1. This device should have lockout capability so that the ac input supply to the AT10.1 can be de-energized for unit maintenance. A time delay circuit breaker or slow-blow fuse is recommended.
3. Size the branch circuit breaker or fused disconnect switch for the maximum ac input current of the AT10.1. This rating is listed on the left-hand side of the AT10.1 data nameplate. For a comprehensive list of these maximum ac input values, access standard ([DC5016-00](#)).

NOTICE

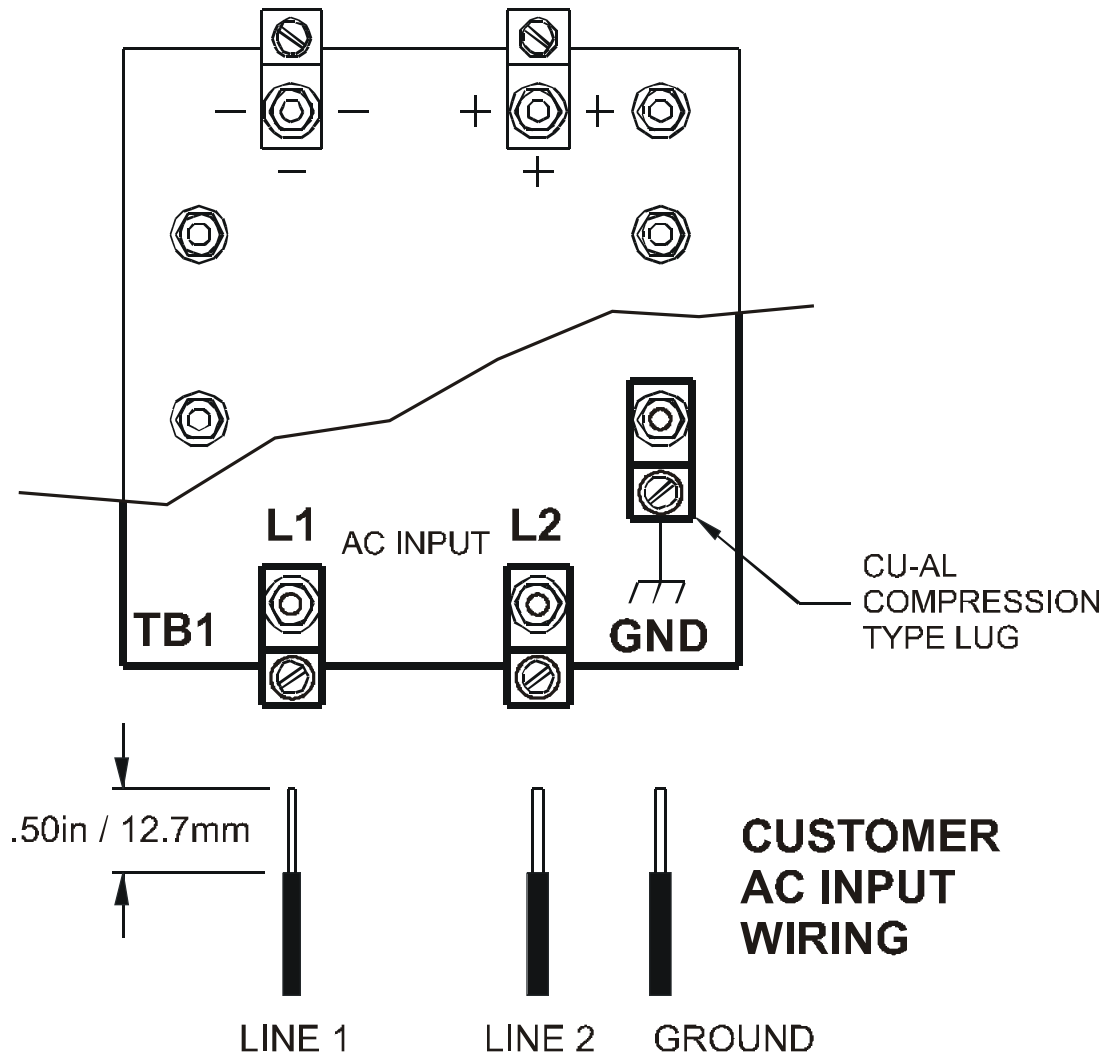
*An ac feeder breaker (or fuse) is **required** if the AT10.1 features 480 Vac input, is equipped with the standard AIC breaker, and no ac fuses. The feeder must be rated to interrupt the short-circuit current of the ac supply.*

4. Size ac input wiring per the National Electric Code (NEC) and local codes for the trip rating of the branch circuit breaker or fused disconnect switch.
5. Do not run external ac input power wiring through the same conduit of the AT10.1 enclosure as external dc output power wiring.
6. All site requirements of your facility take precedence over these instructions.

PROCEDURE

1. Remove the acrylic safety shield.
2. Run the ac input supply wiring into the AT10.1, ending at terminals TB1-L1, TB1-L2, and TB1-GND on the I/O panel board.
3. The AT10.1 features three (3) CU-AL compression lugs on the ac input terminals, which accept #14 - 1/0 AWG wire. Strip 0.50in / 13mm from the insulation of the incoming ac input supply wiring.
4. Connect the wires to the appropriate ac lugs as shown on the next page.
5. Using a flat-head screwdriver, securely tighten the compression screws on the ac lugs to 35-50 in-lb / 4.0-5.7 Nm.
6. Check all connections and reinstall the acrylic safety shield.

MAKING THE AC INPUT CONNECTIONS - GRAPHICS



⚠ CAUTION

NOTES

1. The drawing above does not show other components mounted to the I/O panel (TB1-L#). Be careful not to disconnect any other component leads.
2. Conduit must be properly grounded, and in compliance with national, local, and site codes where installed. See Appendix G on Page 94 for details.
3. Use copper or aluminum conductors only.
4. On 120 Vac input, connect the neutral leg to the terminal L2.

INSTALLING THE AT10.1

1.8. MAKING THE DC OUTPUT CONNECTIONS

It is the responsibility of the *installer* of the AT10.1 to provide suitable dc output, battery, and dc load wiring. Follow these steps to connect the battery to the AT10.1:

1. Size dc wiring to minimize voltage drop. Acceptable wire size depends on the installation. As a guideline, the voltage drop should not exceed 1% of nominal output voltage at full current. Refer to the table below to determine the voltage drops for various wire sizes, currents and distances.

WIRE SIZING CHART

VOLTAGE DROP PER 100ft / 30.5m OF WIRE (for copper at 68 °F / 20 °C)

WIRE SIZE (AWG)	DC CURRENT (Amperes)				
	30	40	50	75	100
#10	3.0V	4.0V	5.0V	<i>not recommended</i>	<i>not recommended</i>
#8	1.9V	2.5V	3.1V	<i>not recommended</i>	<i>not recommended</i>
#6	1.2V	1.6V	2.0V	3.0V	<i>not recommended</i>
#4	0.7V	1.0V	1.2V	1.9V	2.5V
#2	0.5V	0.6V	0.8V	1.2V	1.6V
#0	0.3V	0.4V	0.5V	0.7V	1.0V

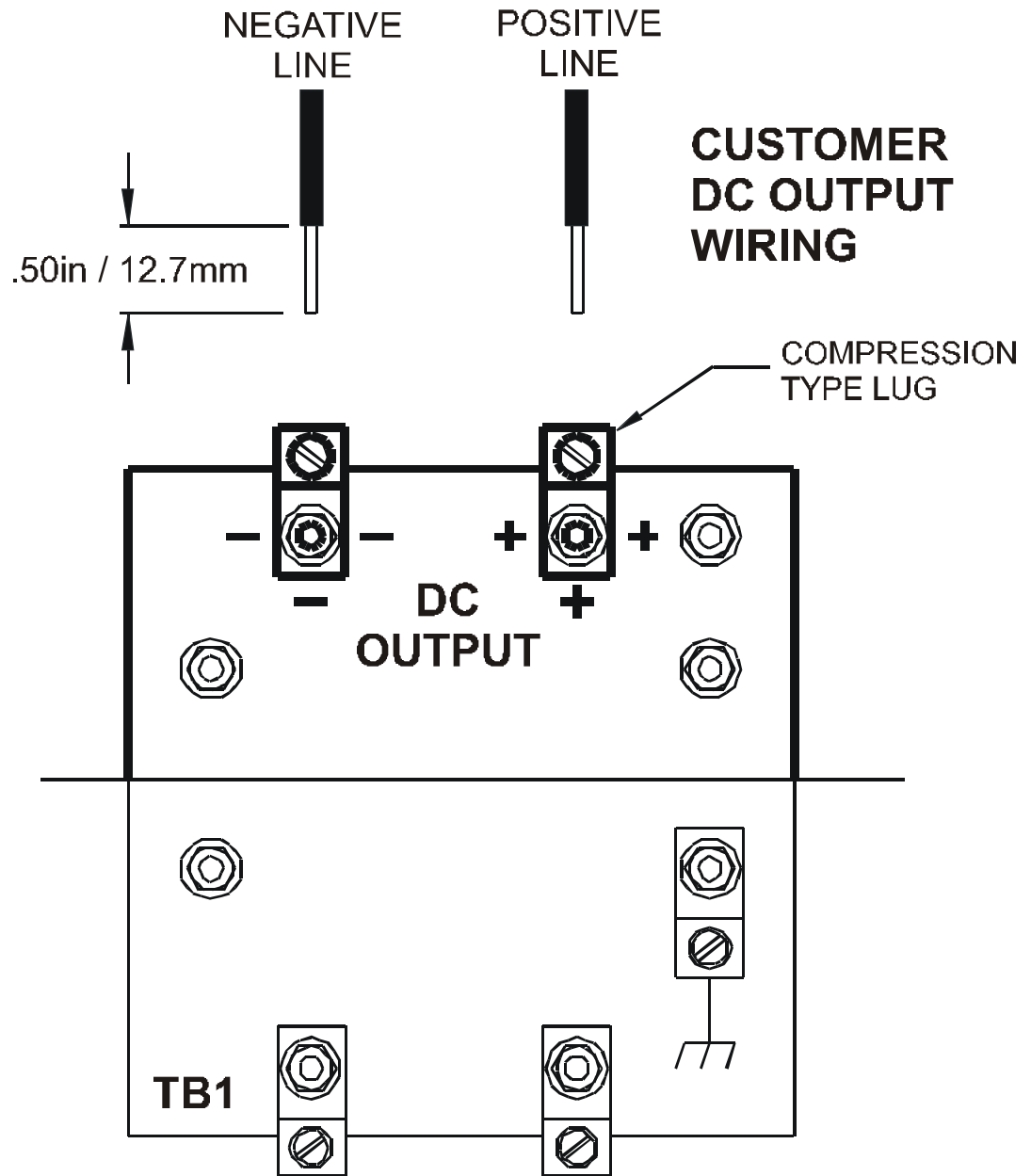
EXAMPLE: 100ft / 30.5m of #8 AWG wire at 50A has a 3.1 Volt drop.

2. The AT10.1 is factory wired to regulate the output voltage at the output terminals. If the total voltage drop is greater than 1% (e.g., 1.3V for a 130 Vdc system), remote sense wiring is recommended, see Section 1.9.
3. Do not run external ac and dc power wiring, feeding the AT10.1, through the same conduit.
4. All specific requirements of your facility take precedence over these instructions.

PROCEDURE

1. Use a dc disconnect switch or circuit breaker between the AT10.1 and dc bus. This device should have lockout capability to allow the AT10.1 to be disconnected from the dc bus for maintenance.
2. Remove the acrylic safety shield.
3. Run the dc wiring to terminals TB1(+) and TB1(-) on the I/O panel board in the enclosure. Compression lugs, accepting wire sizes #14-1/0 AWG, are supplied for your convenience.
4. Strip the insulation 0.5in / 12.7mm on the incoming wires. Connect the wires to the appropriate dc lugs as shown on the next page.
5. Using a flat-head screwdriver, securely tighten the compression screws on the lugs to 35-50 in-lb / 4.0-5.7 Nm.
6. Reinstall the safety cover after you have made and checked all connections.

MAKING THE DC OUTPUT CONNECTIONS - GRAPHICS



⚠ CAUTION

NOTES

1. The drawing above does not show other components mounted to the I/O panel. Be careful not to disconnect any other component leads.
2. Always use a proper ground.
3. Use copper or aluminum conductors only.

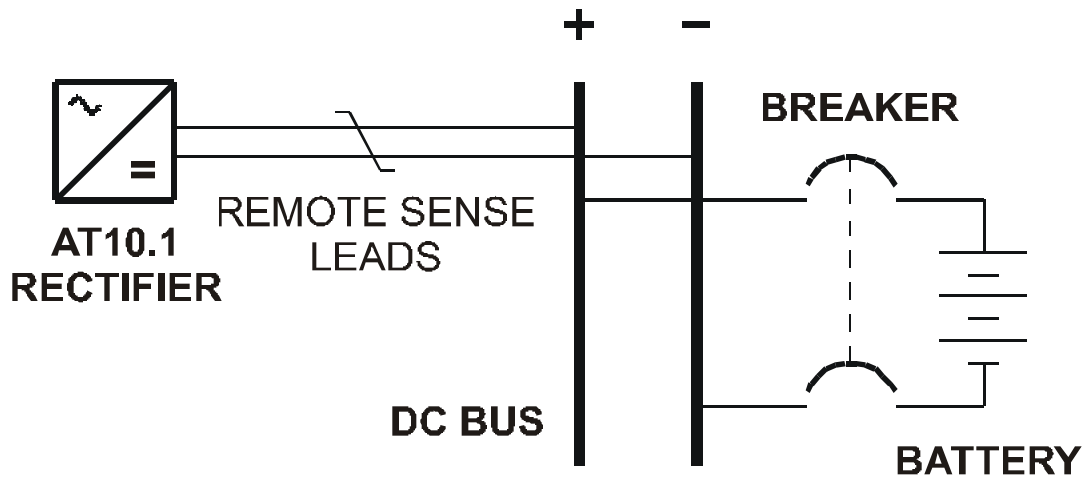
INSTALLING THE AT10.1

1.9. WIRING THE AT10.1 FOR REMOTE SENSING

You can wire the AT10.1 to regulate the output voltage at the battery terminals, instead of at the charger output terminals (TB1+/-). Remote sensing provides the following:

1. Compensates for voltage drop in the dc wiring between the AT10.1 and the battery.
2. Directly monitors the battery or dc bus voltage. The front panel meter displays the actual voltage on the dc bus.

SCHEMATIC



You wire the AT10.1 for remote sensing by installing twisted pair cabling from the AT10.1 remote sense terminals to the battery terminals. The AT10.1 control circuitry then measures the dc voltage at the battery terminals, and controls the output of the charger to maintain the battery voltage at the desired Float or Equalize voltage.

NOTICE

*If the remote sense wiring fails, the AT10.1 detects the fault, and displays **E 06** on the front panel meter. See Section 3.2 for details.*

CAUTION

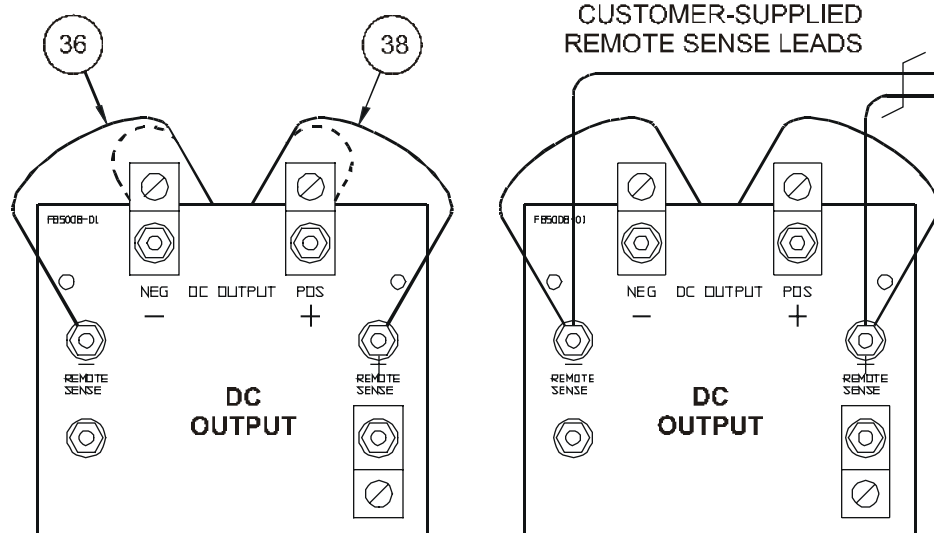
The AT10.1 cannot protect against short circuits in the remote sense wiring. Install a small 1.0A in-fuse at the battery or dc bus end of the remote sense cable.

PROCEDURE

1. De-energize and lock out all ac and dc voltages within the AT10.1 enclosure. Check with a voltmeter.
2. Remove safety shield.
3. Remove the two (2) dc output CU-AL compression lugs.

INSTALLING THE AT10.1

4. Move wire # **36** from TB1(-) to REM SENSE NEG(-).
5. Move wire # **38** from TB1(+) to REM SENSE POS(+).
6. Connect user-supplied external remote sense leads from the battery or dc bus to the remote sense terminals on the I/O panel.



7. Replace the two (2) dc output CU-AL compression lugs, and tighten all hardware.
8. Check your work thoroughly, and replace the safety shield, before re-energizing the AT10.1.
9. Restart the AT10.1 according to the procedure in Section 2.1.

NOTES

1. Use #16 AWG twisted pair.
2. Maximum current is 150 mA.
3. Run leads in their own conduit.
4. Fuse the wiring at the battery or dc bus.

DISABLING REMOTE SENSE

If you ever need to disable remote sense, follow the steps below:

1. De-energize and lock out all ac and dc voltages to the AT10.1.
2. Check with a voltmeter.
3. Disconnect remote sense wires from the battery or dc bus *first*.
4. Remove sense leads from the REM SENSE POS(+) & REM SENSE NEG(-) terminals on I/O panel (TB1) *second*.
5. Insulate each lead separately, and coil up wires. Leave them in the bottom of the AT10.1, in case you want to wire for remote sense in the future.
6. Reconnect wire # **38** to TB1(+).
7. Reconnect wire # **36** to TB1(-).
8. Restart the AT10.1 according to the procedure in Section 2.1.

INSTALLING THE AT10.1

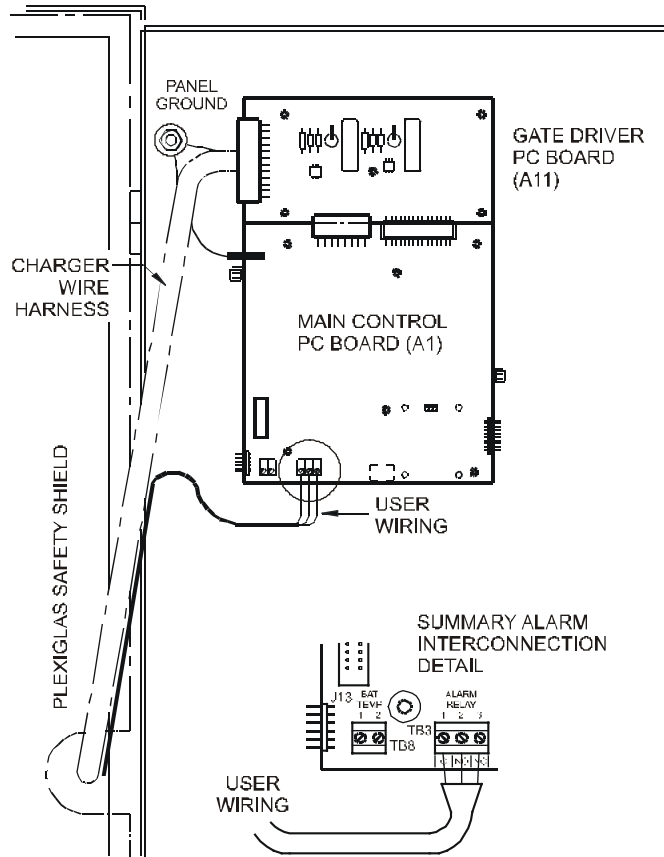
1.10. WIRING TO THE REMOTE ALARM CONTACTS

Built-in Summary "Common" Alarm Relay (standard)

The AT10.1 Main Control PC Board (A1) is equipped with a "common" Summary Alarm relay. This relay contact transfers when any one or more of the standard AT10.1 alarms exist.

See Section on 2.2.1 on page 26 for a list of these alarms and status codes. One form-C alarm contacts are provided, and accessible via terminal block (TB3), as shown in the figure to the right.

Follow the procedure below to wire an annunciator to this contact.



PROCEDURE

1. Allow 30in / 762mm of wire inside the enclosure. Excess will be trimmed.
2. Route annunciator wires to the AT10.1 front panel door by following the existing harness through the door hinge as shown. Use two (2) wire ties and allow a 4-6in / 102-153mm loop for the hinge.
3. Trim wires to the proper length for connecting to TB3. Strip 0.25in / 6.4mm of insulation from the wires.
4. Make the connections at TB3, and securely tighten compression screws.

NOTES

1. Alarm contacts are rated at 0.5A / 125 Vac/Vdc.
2. Summary Alarm relay terminal block (TB3) is compression type, accepting wire sizes #22-14 AWG.
3. Terminals are labeled in non-alarm condition.
4. If user alarm contacts (TB3 and/or TB4A/B) are to drive inductive **dc** loads (e.g. a larger dc relay) an external protective diode must be applied at the dc relay to avoid equipment damage. See *Application Note* ([JD5011-00](#)).

INSTALLING THE AT10.1

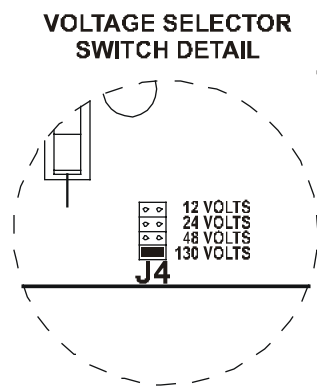
Auxiliary Alarm Relay PC Board (optional)

The optional Auxiliary Alarm Relay PC Board (A5), mounted on the right side panel of the circuit breaker bracket, provides two (2) form-C contacts (TB4-1 through TB4-36) for each of the following individual alarms:

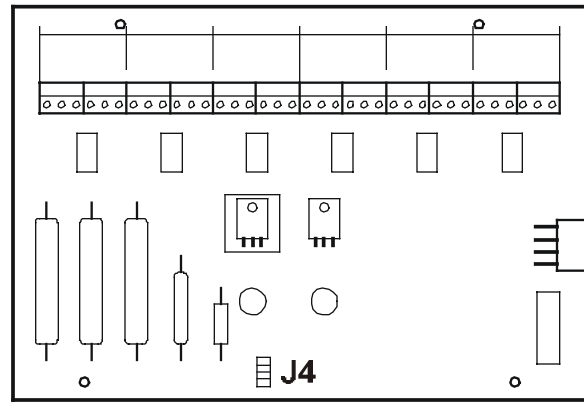
- High DC Voltage
- Low DC Voltage
- DC Output Failure
- AC Input Failure
- Ground Fault Detection (positive or negative)
- Summary (common) Alarm

Alarm contacts (TB4A/B), marked in non-alarm condition, are as follows:

HVDC			LVDC			DC OUT FAILURE			AC FAIL			GROUND DETECT			SUMMARY																				
C, NC, NO	C, NC, NO	C, NC, NO	C, NC, NO	C, NC, NO	C, NC, NO	C, NC, NO	C, NC, NO	C, NC, NO	C, NC, NO	C, NC, NO	C, NC, NO	C, NC, NO	C, NC, NO	C, NC, NO	C, NC, NO	C, NC, NO																			
1	2	3	4	5	6	7	8	9	10	11	12	13	14	15	16	17	18	19	20	21	22	23	24	25	26	27	28	29	30	31	32	33	34	35	36



TB4



PROCEDURE

1. Deenergize and lock out all ac and dc voltages to the AT10.1.
2. Allow internal voltages to dissipate, then check with a voltmeter.
3. Remove the acrylic safety shield.
4. Route remote annunciator wiring into the enclosure through one of the unused conduit knockouts on the side of the enclosure.
5. As shown in the figure above, connect the wiring (use #22-14 AWG) to the appropriate terminals of TB4 on the Auxiliary Alarm Relay PC Board (A5).
6. Strip each wire 0.25in / 6.4mm and securely tighten the terminal screws.
7. Replace the safety shield and restart the AT10.1.

NOTES

1. Alarm contacts are rated at 0.5A / 125 Vac or Vdc.
2. Terminal block (TB4) is compression type, accepting #22-14 AWG wire.
3. Terminals are labeled in non-alarm condition.
4. For a detailed view of the optional Auxiliary Alarm Relay PC Board (A5), refer to drawing ([JE5030-29](#)) listed in Appenix C on page 80.

INSTALLING THE AT10.1

1.11. INSTALLING THE TEMPCO PROBE ASSEMBLY (OPTIONAL)

The temperature compensation (or TempCo) probe contains a temperature-dependent resistor, encased in an epoxy module, installed near the battery. There are three (3) steps in installing the assembly:

1. Mounting the probe assembly near the battery.
2. Installing an interconnection cable from the probe assembly to the AT10.1.
3. Wiring the **charger end** of the cable to a terminal block on the AT10.1.

The actual temperature compensation probe (A10), or puck, is the same for all battery types and all output voltages of the AT10.1. The accessory part numbers differ depending on cable length ordered. See the tables in Appendix B on page 71 for ordering information. Each kit contains detailed *Installation Instructions* ([JA5015-00](#)), and a separate *Application Note* ([JD5003-00](#)) for further user details. The main elements of the installation are outlined below.

WARNING

High voltages appear at several points inside the AT10.1. Use extreme caution when working inside the enclosure. Do not attempt to work inside the AT10.1 unless you are a qualified technician or electrician. Disconnect and lock out all power from the AT10.1 before starting to remove or replace any components. Turn off ac power at the distribution panel upstream from the charger. Disconnect the battery from the AT10.1 dc output terminals (TBI+/-).

PROCEDURE

1. De-energize and lock out all ac and dc voltage sources to the AT10.1, and check with a voltmeter before proceeding.
2. Mount the probe on a clean, dry surface, as close to the battery as possible, such as the battery rack. **DO NOT** mount the probe:
 - on the battery itself
 - on unpainted wood, or bare galvanized metal.
 - on plastic surfaces
3. To apply the probe, clean the mounting surface with isopropyl alcohol, and allow to dry thoroughly. Remove the protective backing from the double-faced adhesive tape on the probe, and securely press it onto the surface.
4. Install the cable supplied with the temperature compensation probe kit:
 - Start at the AT10.1. The end of the cable with two (2) stripped wires and a quick-connect terminal will be installed inside the AT10.1.
 - Leave 30in / 762mm of cable inside the enclosure, and route the other end to the probe at the battery.

INSTALLING THE AT10.1

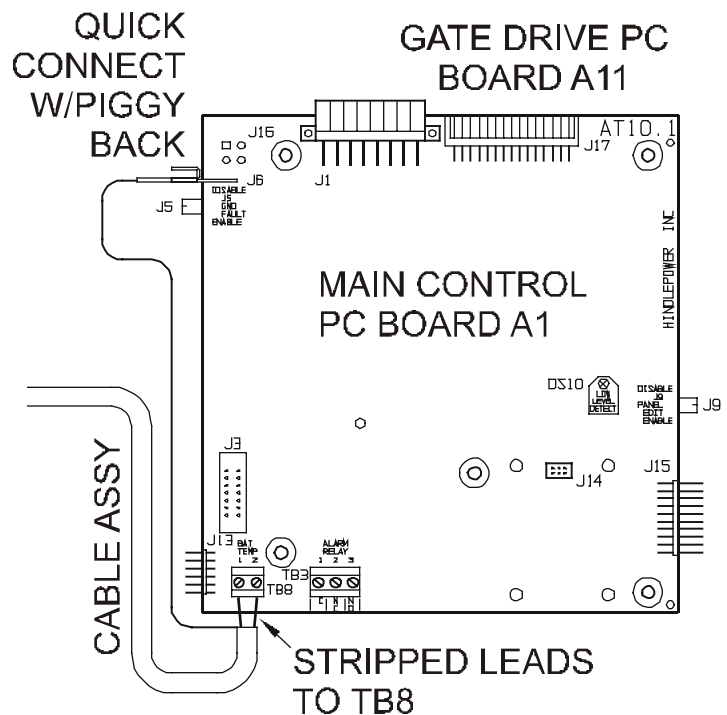
- Run the cable through a conduit if possible, but not through a conduit containing any power wiring.
- Route the other end to the probe at the battery and coil up excess cable.

NOTICE

If the standard (25ft / 7.6m) cable is not long enough, longer cable assemblies are available in lengths of 50, 100 & 200ft / 15.2, 30.5 & 61.0m. See Appendix B on page 71 for ordering information.

5. Attach the interconnection cable to the AT10.1 as shown in the figure below:

- Route the cable within the AT10.1 enclosure so it runs with the wire harness to the back of the front panel, and easily reaches the Main Control PC Board (A1).
- At the Main Control PC Board (A1), insert one of the bare wires from the cable into each terminal of TB8. Polarity is not vital.



- Plug the connector at the end of the nylon-shielded wire of the cable assembly onto J6.
 - Using plastic wire ties, fasten the interconnection cable loosely to the existing wire harness. Make sure that the cable conforms to the service loop at the hinge end of the door.
6. At the battery, connect the quick-connect terminals to the temperature compensation probe. Polarity is not vital. Coil up any excess wire and tape or tie it together to prevent damage.
 7. Set jumper (J30) on the Main Control PC Board (A1) to positions 2-3 to use *compensated* voltages, or to positions 1-2 to use *uncompensated* voltages.

INSTALLING THE AT10.1

8. Check your work. Confirm that:
 - All connections are secure.
 - The shield is connected to ground at the *charger end only* (A1-J6).
 - The cable is connected to the 2-position terminal block (TB8) on the Main Control PC Board (A1). Other terminal blocks may look similar.
9. Restart the AT10.1 using the procedure in Section 2.1. During startup, the AT10.1 displays **Pb** on the front panel meter, indicating that the temperature compensation is set up for lead-acid battery types. While this is being displayed, you can press any front panel key to change the display to read **nicd**, to change the temperature compensation setup for nickel-cadmium batteries. The choice you make is saved internally, and will be used again by the AT10.1 the next time it starts.
10. Adjust the output Float and Equalize voltages to the battery manufacturer's recommended values, using the AT10.1 front panel meter, as described in Section 2.3.2.

NOTICE

*If the temperature compensation probe, or the probe wiring, is damaged and becomes an open circuit, the AT10.1 detects the damage and displays **E 08** on the front panel meter. The AT10.1 then reverts to normal non-temperature-compensated operation until the probe or wiring is repaired. Once the probe is repaired, you must restart the AT10.1 to activate the probe, as described in Section 2.1.*

Using temperature compensation

When an electric storage battery is being charged, the terminal voltage of the battery changes a small amount whenever the battery temperature changes. As the battery temperature increases, its terminal voltage decreases. When a constant output voltage float-type rectifier charges a battery, Float current increases when the temperature increases. This results in overcharging the battery, which can result in damage to the materials, or at least the need for more frequent maintenance.

When the AT10.1 is equipped with a temperature compensation probe, it is able to adjust the output voltage applied to the battery to keep the Float current constant, thereby avoiding overcharging. The probe senses the ambient temperature at the battery, and adjusts the output Float/Equalize voltages to compensate for variations in temperature. If the ambient temperature increases, the AT10.1 output voltage decreases.

If any inconsistencies are experienced in the AT10.1 when the temperature compensation probe is utilized, temporarily disconnect the probe. Refer to *Application Note* ([JD5003-00](#)) for further details.

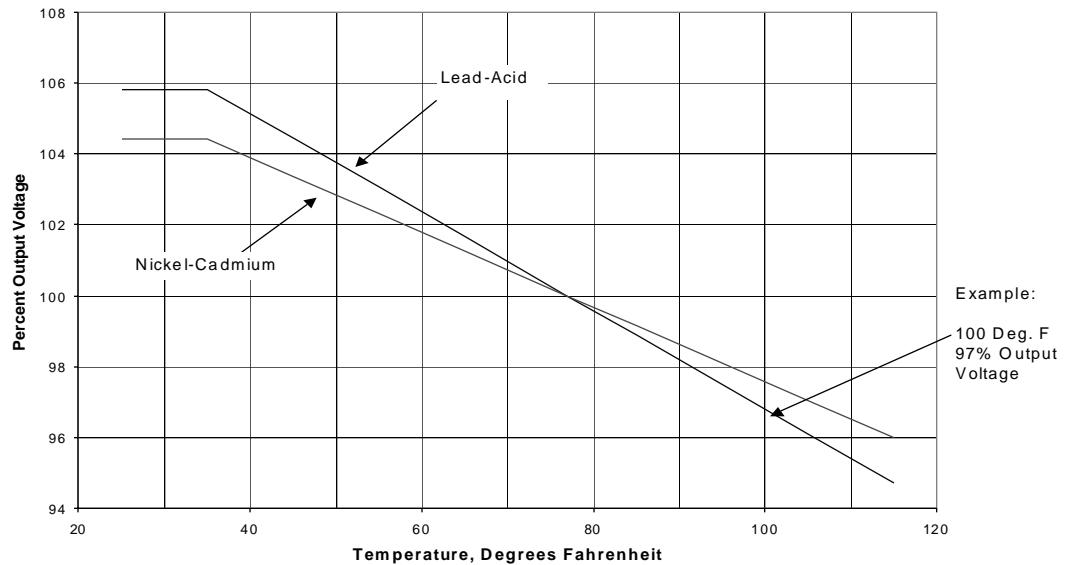


INSTALLING THE AT10.1

Note the following:

- Set Float and Equalize voltages to the values recommended by the battery manufacturer for 77 °F / 25 °C.
- When you enter the **Edit Mode** to adjust the Float or Equalize voltage (see Section 2.3.2), the front panel meter displays the 77 °F / 25 °C value for the Float or Equalize voltage, even if the battery is warmer or cooler than 77 °F / 25 °C.
- The actual output voltage of the AT10.1 may be different from the value displayed on the front panel meter, if the battery is warmer or cooler than 77 °F / 25 °C.
- Use a digital meter to measure *actual* output voltage of the AT10.1. If you know the temperature at the temperature compensation probe, you can use the graph below to determine that the output voltage is correct.
- If the battery temperature goes below 32 °F / 0 °C, there will be no further increase in AT10.1 output voltage. Likewise, if the battery temperature goes above 122 °F / 50 °C, there is no further decrease in output voltage.

OUTPUT VOLTAGE VS BATTERY TEMPERATURE



EXAMPLE: Suppose you have a lead-acid battery whose temperature is 100 °F / 37.8 °C. As shown on the graph, the output voltage should be approximately 97% of the 77 °F voltage. If the Float voltage is set on the front panel to 132 Vdc, the actual output voltage will be:

$$132 \times 0.97 = 128 \text{ Vdc}$$

1.12. INSTALLING FOR REMOTE COMMUNICATION (OPTIONAL)

Refer to separate *Operating Instructions* ([JA0102-04](#)).

1.13. INSTALLING FOR FORCED LOAD SHARING (OPTIONAL)

Refer to Appendix F on page 92 or *Operating Instructions* ([JA5054-00](#)).

OPERATING THE AT10.1

2. OPERATING THE AT10.1 BATTERY CHARGER



2.1. STARTING THE AT10.1

2.1.1. Understanding the startup sequence

The AT10.1 is set up at the factory to work with most common batteries and loads without further adjustment. When starting the AT10.1 for the first time, factory settings (Float voltage, Equalize voltage, etc.) control operation of the charger. Settings can be changed after the AT10.1 fully starts. **FACTORY SETTINGS** are listed in table on page 25.

The AT10.1 startup routine takes about 5 seconds. The microprocessor that controls the AT10.1 initializes the charger by reading the settings that are stored internally. The control circuitry then "soft starts" the AT10.1, and the dc output voltage and current increase gradually to the rated value.

2.1.2. Checking the installation

Confirm that you have followed the installation instructions carefully. Check the ac input supply voltage and the battery voltage, and make sure they match the information on the AT10.1 data nameplate. *Verify that the jumpers on the main transformer (T1) are correct for the ac supply voltage.* Open the front panel door and carefully check the battery polarity at the dc output terminals TB1(+/-).

Using the Digital Meter

When you first start the AT10.1, the meter display alternates between dc output voltage and dc output current.

Each reading is held for 2 seconds. Indicator lights to the left of the display indicate whether the meter is displaying voltage or current.

If you want to "freeze" the meter to display only voltage, press the **METER MODE** key on the front panel. To freeze the meter to display only current, press the key again. Press the key twice more to revert to the alternating display.

2.1.3. Starting the AT10.1

When you are sure that all connections to the AT10.1 are properly made, follow these steps to start up the AT10.1:

- Turn on (close) the dc output circuit breaker (CB2) *first*.
- The digital meter indicates battery voltage only. If the meter display does not light, **do not proceed**. Turn off (open) the dc breaker (CB2).
- Check all connections and the battery polarity again. Also check the battery voltage. It must be above 50% of nominal voltage to turn on the display. If you cannot find the problem, refer to the *Troubleshooting Procedure* in Section 3.1 on page 44.

NOTICE

If you attempt to turn on the dc circuit breaker (CB2) with the battery connected in reverse polarity, the breaker will immediately trip. Do not try to close the dc breaker again, since this may damage the AT10.1. If the AT10.1 is equipped with dc fuses, one or both fuses will blow when the battery is reversed. Correct the battery polarity before proceeding.

OPERATING THE AT10.1

- If you have an optional temperature compensation probe installed, the front panel displays **Pb** during startup, indicating that temperature compensation is set up for lead-acid battery types. While this is being displayed, you can press any front panel key to change the display to read **nicd**, to change the temperature compensation setup for nickel-cadmium batteries. The choice you make is saved internally, and will be used again by the AT10.1 then next time it starts.
- Turn on the front panel ac breaker. The digital meter displays the output voltage and current. See **Using the Digital Meter** on page 24. You should hear a soft hum from the AT10.1 as the output current increases.

NOTICE

*If you have a filtered model of the AT10.1, and you turn on the ac breaker (CB1) first, before the dc breaker (CB2), there is a possibility that CB2 will trip when you try to turn it on. This is caused by the dc filter capacitors (C1/C2) discharging into the battery. To get around this problem, turn off the ac breaker and restart the AT10.1 by turning on the **dc breaker first**.*

- The green **FLOAT** indicator lights. Press the **CHRG MODE** key on the front control panel. The **FLOAT** indicator goes off, and the yellow **EQLZ** indicator lights. Press the **CHRG MODE** key again to return the AT10.1 to Float mode.

The table below lists the normal factory settings for Float and Equalize voltage, Equalize time, Current Limit setting, and alarm settings. If your purchase order specified other Float or Equalize voltage settings, a tag attached to the front panel of the AT10.1 lists the actual voltage settings.

FACTORY SETTINGS FOR ALL PARAMETERS

Parameter	Nominal Vdc			
	12	24	48	130
Float Voltage	13.00	26.00	52.00	131.0
Equalize Voltage	14.00	28.00	56.00	139.0
HVDC Alarm	14.40	28.80	57.60	144.0
LVDC Alarm	12.00	24.00	48.00	120.0
Equalize Time	24 hours			
Equalize Method	Manual Timer			
Current Limit	110% of nominal output current			
HVDC Shutdown	disabled			

OPERATING THE AT10.1

2.2. USING THE AT10.1 FRONT PANEL FEATURES

2.2.1. If the meter displays an error or status message

The AT10.1 control circuitry performs diagnostic checks of the battery charger during system start-up, then continuously during operation. If it detects a failure (**E ##**) or special status (**A ##**), an intermittent code will appear on the front control panel, displayed between dc output values.

Code	Explanation	Summary
<i>E 01</i>	rating resistor R2 open or defective	Yes
<i>E 02</i>	short circuit on dc output	Yes
<i>E 03</i>	high dc voltage shutdown occurrence	Yes
<i>E 04</i>	internal memory failure	Yes
<i>E 0b</i>	voltage sense failure (internal / external / remote)	Yes
<i>E 07</i>	dc breaker open, or dc output wiring defective	Yes
<i>E 08</i>	remote TempCo probe defective	Yes
<i>E 10</i>	open internal feedback loop	Yes
<i>E 12</i>	internal over-temp circuit defective	Yes
<i>E 13</i>	rectifier over-temperature occurrence	Yes
<i>E 14</i>	forced load sharing not working properly	No
<i>E 15</i>	battery open	Yes
<i>E 1b</i>	remote shutdown	Yes
<i>A 01</i>	manual Equalize enabled for more than 24 hours	Yes
<i>A 02</i>	Equalize mode inhibited	No
<i>A 04</i>	voltmeter calibration inhibited w/TempCo active	No
<i>A 05</i>	dc output at current limit setting	No

See Section 3.2 on page 45 for a full explanation of each code. Codes **E 05**, **E 09**, **E 11**, and **A 03** are not used. Other codes are as follows.

<i>Pb / nl cd</i>	battery type for active temperature compensation
<i>L5-P / L5-S</i>	forced load sharing status (primary / secondary)
<i>RS t L</i>	alarm reset
<i>t P S t</i>	battery open alarm test

2.2.2. Selecting the meter mode

- Upon startup the AT10.1 front panel meter alternates, displaying dc output voltage and current, measured within 1%. **DC VOLTS** and **DC AMPERES** indicators light respectively, to indicate which measurement is displayed.
- Press the **METER MODE** key to change the method of display. The 4-character front panel digital meter features four (4) operating modes:
 1. Alternating between output voltage and output current. When the AT10.1 is in a timed Equalize mode, the meter alternates between output voltage, output current, and Equalize hours remaining.
 2. Displaying output voltage only. The **DC Volts** indicator lights.
 3. Displaying output current only. The **DC Amperes** indicator lights.

4. Displaying Equalize hours remaining only. The **EQLZ HRS REMAINING** indicator lights. If the AT10.1 is not in a timed Equalize mode, the meter displays full programmed Equalize time.

2.2.3. Selecting the Float or Equalize mode

The AT10.1 has two (2) output voltage *modes*, 'Float' and 'Equalize'. Use the *Float* mode for all normal battery charging, and to operate the dc system. Use *Equalize* mode if it is necessary to balance the level of charge among cells of the battery. Consult the battery data sheets for information on Equalize-charging the battery.

- Press the **CHRG MODE** key to change to Equalize mode.
- Press the **CHRG MODE** key at any time to change back to Float mode.

If the Equalize method is set to Manual Timer or Auto-Equalize Timer, the AT10.1 will revert to Float mode at the end of selected Equalize time.

2.2.4. Choosing the Equalize method

Press the **EQLZ MTHD** key to choose the desired Equalize *method*. The indicator next to the desired Equalize method will light. Three (3) Equalize methods are available in the AT10.1:

- Manual Timer
- Manual Equalize
- Auto-Equalize Timer

These Equalize methods are described below.

Manual Timer Method

Choose the manual timer method if you perform regularly scheduled Equalize charging, or if you base your Equalize charging on regular readings of the specific gravity of each cell of the battery (for lead-acid batteries). When the battery requires Equalize charging, adjust the manual timer to 1-2 hours for each 100 AH of battery capacity (see Section 2.3.3 to learn how to adjust the Equalize time). The battery manufacturer can help you determine the best equalizing schedule for the battery.

After you select the manual timer method, press the **CHRG MODE** key to put the AT10.1 into Equalize mode. The **EQLZ** indicator will light. When the Equalize timer is finished, the AT10.1 reverts automatically to Float mode, and the **FLOAT** indicator lights.

Any time during Equalize charge, you can switch the AT10.1 back to Float, by pressing the **CHRG MODE** key. The **FLOAT** indicator will light.

If there is an ac power failure during the Equalize charge, the AT10.1 remembers the remaining Equalize time. When ac power is restored, it resumes the Equalize charge where it left off.

OPERATING THE AT10.1

Manual Equalize Method

Choose the manual Equalize method when you want to Equalize charge the battery, but only when you are able to monitor the battery voltage and gassing rate. After you select the manual Equalize method, press the **CHRG MODE** key to put the AT10.1 into Equalize mode. The **EQLZ** indicator will light.

Press the **CHRG MODE** key again to return the AT10.1 to Float mode. The **FLOAT** indicator will light.

NOTICE

Never leave the AT10.1 unattended in Equalize mode with the manual Equalize method selected. A sustained overcharge may cause permanent damage to the battery.

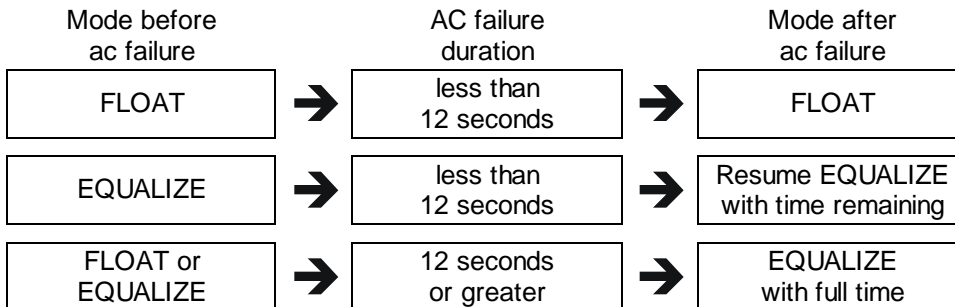
Auto-Equalize Timer Method

Select the auto-equalize timer method if you have a **flooded** (non-sealed) battery, that is subject to infrequent discharges, or when the battery will be discharged by at least half its rated capacity during an ac power failure.

When ac power is restored to the AT10.1, it turns on in Equalize mode automatically, and the **EQLZ** indicator lights. At the end of the Equalize charging time that you select, the AT10.1 reverts automatically to Float mode, and the **FLOAT** indicator lights. At any time during the Equalize charge, you can switch the AT10.1 back to Float mode by pressing the **CHRG MODE** key. The **FLOAT** indicator will light.

Consult the battery manufacturer's instructions before using the auto-equalize timer method with sealed (valve-regulated) lead-acid batteries.

Whenever the ac supply fails for 12 seconds or longer, the auto-equalize timer is enabled. For shorter periods, the timer behaves as listed below:



Switching to Equalize Mode with Auto-Equalize Timer Method Selected

You can start an Equalize charge at any time.

- Press the **CHRG MODE** key. The **EQLZ** indicator will light.

When the Equalize timer is finished, the AT10.1 reverts automatically to Float mode, and the **FLOAT** indicator lights.

2.2.5. Testing the front panel indicators

- Press the **DOWN** key. This is also the **LAMP TEST** key.

The meter will display **BBBB**, and all status & alarm indicators will light.

The **LAMP TEST** key does not test the **AC ON** indicator. The **AC ON** indicator lights whenever ac power is present, and the ac circuit breaker is turned on. The **LAMP TEST** key does not operate when ac power is off.

To test the action of the AT10.1 summary alarm relay, press and hold the **LAMP TEST** key for 4 seconds to transfer the relay. If you are monitoring the relay with a remote annunciator, it will detect the alarm condition.

2.2.6. Testing the Auxiliary Alarm Relay PC Board (optional)

If you have the optional Auxiliary Alarm Relay PC Board (A5) installed, you can similarly test the six (6) individual alarm relays. Press and hold the **LAMP TEST** key for 4 seconds to transfer the relays. If you are monitoring the relays with a remote annunciator, it will detect the alarm conditions.

2.2.7. Interpreting the alarm indicators

There are six (6) red alarm LED indicators at the right side of the front panel. An indicator lights for each of the following alarm conditions:

- **HIGH DC VOLTAGE:** DS13 lights whenever the dc output voltage exceeds the specified alarm voltage setting. See Section 2.3.4 to learn how to adjust the HVDC alarm setting.
- **LOW DC VOLTAGE:** DS14 lights whenever the dc output voltage is below the specified alarm voltage setting. See Section 2.3.4 to learn how to adjust the LVDC alarm setting.
- **DC OUTPUT FAILURE:** DS15 lights whenever the AT10.1 cannot provide its full rated output voltage *or* its full rated output current. This alarm setting cannot be adjusted.
- **AC INPUT FAILURE:** DS16 lights whenever the ac power supply to the AT10.1 is interrupted.
- **POS (+) GND:** DS17 lights whenever leakage current from the battery positive terminal to ground exceeds a specified threshold. *
- **NEG (-) GND:** DS18 lights whenever leakage current from the battery negative terminal to ground exceeds a specified threshold. *

** The ground fault detection sensitivity can be adjusted from 5 to 30 k Ω , see Section 2.3.4 on page 34.*

When an alarm occurs, the indicators will light immediately. The AT10.1 also features a summary alarm relay with one (1) form-C contacts (TB3) rated 0.5A / 125 Vac/Vdc. If an alarm condition lasts for 30 seconds or longer, the summary alarm relay transfers. Under standard settings, when the alarm condition is corrected, the corresponding relay and indicator resets automatically. Latching alarm capability for the AT10.1 is available, featured in supplemental *Operating Instructions* ([JA5098-00](#)).

OPERATING THE AT10.1

2.3. SETTING PARAMETERS IN THE AT10.1

2.3.1. Understanding Parameter Settings

You can change the settings of the AT10.1 while it is operating, using the front panel controls. The changes you make take effect immediately, and are saved internally. If the AT10.1 is taken out of service, and then later returned to service, it restarts using the last values you set. You can adjust the following parameters:

- Float voltage
- Equalize voltage
- Equalize timer (in hours)
- High dc voltage alarm setting
- Low dc voltage alarm setting
- Current Limit value (in Amperes)
- High dc voltage shutdown feature (on or off)

Your choice of Equalize method is also saved internally.

When you want to change any parameter, press the **EDIT/ENTER** key to put the AT10.1 into **Edit Mode**. The meter display flashes about once per second, and the status indicators prompt you to adjust the respective parameter. Adjust each parameter by pressing the **UP** or **DOWN** key until the meter displays the desired reading. You can make the display scroll up or down continuously by pressing and holding the **UP** or **DOWN** key.

You cannot exceed certain upper and lower limits for the operating parameters. To see what the limits are for your AT10.1, refer to the Specifications in Appendix A on page 70.

When you initially press the **EDIT/ENTER** key, the AT10.1 prompts you to adjust the first parameter in the list above (Float voltage). When you obtain the desired value on the front display, press the **EDIT/ENTER** key again. The AT10.1 saves the new setting internally, and then prompts you to adjust the second parameter.

Continue this way, adjusting the first six (6) parameters in the bulleted list above. If you want to skip adjusting any parameter, just press the **EDIT/ENTER** key again. The AT10.1 then moves to the next parameter.

When you are finished adjusting the sixth parameter (Current Limit), press the **EDIT/ENTER** key again. The AT10.1 saves all adjustments you made internally, and reverts to normal operation. The new settings take effect immediately.

If you do not press any front panel key for 25 seconds, **Edit Mode** ends automatically, and any change you made to the last setting is not saved.

2.3.2. Setting the Float and Equalize voltages

- Press the **EDIT/ENTER** key.

The **FLOAT** and **DC VOLTS** indicators light, and the display flashes the present value of the Float voltage. Press and release the **UP** or **DOWN** key to increase or decrease the value in the display by one count, or press and hold the **UP** or **DOWN** key to scroll the value in the display upward or downward. When the meter displays the desired Float voltage, release the **UP** or **DOWN** key. If you go past the voltage you want, press the **UP** or **DOWN** key again to reach the voltage you want to set.

- Press the **EDIT/ENTER** key. The new Float voltage setting is saved internally.

The **EQLZ** and **DC VOLTS** indicators light, and the display flashes the present value of the Equalize voltage. Press and release the **UP** or **DOWN** key to increase or decrease the value in the display by one count, or press and hold the **UP** or **DOWN** key to scroll the value in the display upward or downward. When the meter displays the desired Equalize voltage, release the **UP** or **DOWN** key. If you go past the voltage you want, press the **UP** or **DOWN** key again to reach the voltage you want to set.

- Press the **EDIT/ENTER** key. The new Equalize voltage setting is saved internally.

If you want to adjust the Equalize timer duration, skip to Section 2.3.3.

OR

If you want to exit the **Edit Mode** now, press the **EDIT/ENTER** key four (4) more times until the AT10.1 returns to normal operation.

If you do not press any front panel key for 25 seconds, **Edit Mode** ends automatically, and any change you made to the last setting is not saved.

NOTICE

For ranges of Float and Equalize settings (Vdc) in *Specifications*:

- see Appendix A on page 70

For battery chemistry *Recommended Float and Equalize Voltages*:

- see Appendix D on page 90

OPERATING THE AT10.1

2.3.3. Setting the Equalize Timer

- Press the **EDIT/ENTER** key until the **EQLZ HRS REMAINING**, **MANUAL TIMER** and **AUTO EQLZ TIMER** indicators all light. The display will flash the present value (hours) of Equalize timer duration.

Press and release the **UP** or **DOWN** key to increase or decrease the value on the display by one count. Press and hold the keys to scroll the values upward or downward. If a desired value is passed, press the opposite key to fine tune. When the meter displays the desired Equalize time (in hours), release the **UP** or **DOWN** key. The maximum value is 255 hours.

*If you set the Equalize time to zero hours, Equalize mode is **disabled**.*

- Press the **EDIT/ENTER** key. The new Equalize timer duration is saved internally. The timer setting works for both the manual timer and the auto-equalize timer.

If you want to adjust the alarm settings, skip to Section 2.3.4.

OR

If you want to exit the **Edit Mode** now, press the **EDIT/ENTER** key three (3) more times until the AT10.1 returns to normal operation.

2.3.4. Setting the Alarms

After you save the Equalize timer setting, the **Edit Mode** automatically prompts you to adjust the settings of the high dc voltage and low dc voltage alarms. There is a red indicator light on the front control panel of the AT10.1 for each of the following alarm conditions:

- High DC Voltage
- Low DC Voltage
- DC Output Failure
- AC Input Failure
- Positive (+) Ground Fault Detection
- Negative (-) Ground Fault Detection

When an alarm occurs, the indicator LEDs will light immediately. The AT10.1 also features a summary alarm relay with one (1) form-C remote contacts (TB3), rated 0.5A / 125 Vac/Vdc. If an alarm condition lasts for 30 seconds or longer, the summary alarm relay contacts transfer. When the alarm condition is corrected, the relay and all indicators reset automatically. If latching alarms/relays are enabled the relay will need to be reset manually, see Section 2.2.7 on page 29.

The summary alarm relay also transfers when the AT10.1 detects certain secondary errors, indicated by meter display codes rather than a discrete front panel red LED. Codes **E 01** through **E 13**, and **A 01** will trigger the summary alarm. See Section 3.2 on page 45 for all error and status codes.

Setting the High DC Voltage Alarm

- Press the **EDIT/ENTER** key until the **HIGH DC VOLTAGE** indicator flashes, and the display flashes the present value of the high dc voltage alarm.

Press and release the **UP** or **DOWN** key to increase or decrease the value in the display by one count, or press and hold the **UP** or **DOWN** key to scroll the value in the display upward or downward. When the meter displays the desired high dc voltage alarm point, release the **UP** or **DOWN** key. If you go past the voltage you want, press the **UP** or **DOWN** key again to reach the voltage you want to set.

- Press the **EDIT/ENTER** key. The new high dc voltage alarm setting is entered into permanent memory.

Setting the Low DC Voltage Alarm

- Press the **EDIT/ENTER** key until the **LOW DC VOLTAGE** indicator flashes, and the display flashes the present value of the low dc voltage alarm.

Press and release the **UP** or **DOWN** key to increase or decrease the value in the display by one count, or press and hold the **UP** or **DOWN** key to scroll the value in the display upward or downward. When the meter displays the desired low dc voltage alarm point, release the **UP** or **DOWN** key. If you go past the voltage you want, press the **UP** or **DOWN** key again to reach the voltage you want to set.

- Press the **EDIT/ENTER** key. The new low dc voltage alarm setting is entered into permanent memory.

If you want to adjust the Current Limit setting, skip to Section 2.3.5.

OR

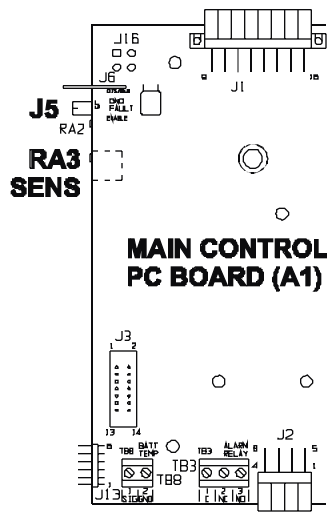
If you want to exit the **Edit Mode** now, press the **EDIT/ENTER** key again to return the AT10.1 to normal operation.

OPERATING THE AT10.1

Adjusting Ground Detection Sensitivity

The AT10.1 ground detection alarm sensitivity is adjustable from 5 to 30 k Ω . You must have a small jeweler's screwdriver for adjustment, along with a "test resistor" whose Ohmic value is sized for the required ground sensitivity.

The ground detection sensitivity is adjusted equally (+/-) from 5 to 10 k Ω , but slightly less equally from 10 to 30 k Ω . Adjustments are made via potentiometer labeled **RA3 SENS**, located on the Main Control PC Board (A1), as shown in the figure at the right.



NOTICE

*Do not try to adjust the upper potentiometer labeled **RA2 BALANCE**. This adjustment is made at the factory for proper circuit operation.*

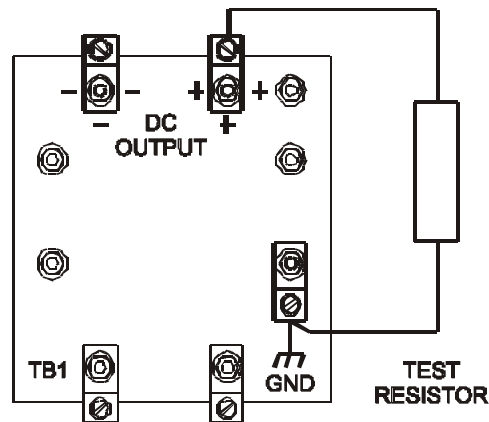
CAUTION

Before connecting or disconnecting a test resistor to the AT10.1, de-energize and lock out all ac and dc voltage sources.

Check with a voltmeter before proceeding. Restart the AT10.1 only when necessary to make the sensitivity adjustment. If the battery is grounded, do not attempt this procedure.

Remove the acrylic safety shield at the I/O panel board. Connect the test resistor between **TB1(+)** and ground.

Adjust **RA3** counter-clockwise until the front panel indicator goes out, then adjust clockwise until the **POS (+) GND** indicator *just* lights. Make this adjustment slowly, since the indicator is only updated once every 4 seconds.



De-energize and lock out power to the AT10.1. Remove the test resistor at **TB1(+)** and verify the **POS (+) GND** indicator goes out. Connect the test resistor between **TB1(-)** and ground. Verify that the **NEG (-) GND** indicator lights. If not, adjust **RA3** clockwise until it *just* does.

Remove the test resistor and return the AT10.1 to normal operation.

Using Ground Detection in Charger Standby Mode

NOTICE If the AT10.1 is put into standby mode by opening the dc circuit breaker (CB2), the ground detection circuit will send an erroneous *positive* (+) fault alarm. There are two (2) ways to work around this:

- Disable the ground detection circuit while the AT10.1 is in standby, as described below.
- Put the AT10.1 into standby by opening the ac input circuit breaker (CB1), and leaving the dc circuit breaker (CB2) closed.

Operating the AT10.1 with the ac breaker (CB1) closed, but the dc breaker (CB2) open, is an *abnormal* condition. It is not recommended.

Disabling the Ground Detection Alarm

You can disable the ground detection alarm circuit, and isolate the circuit from chassis ground. If the battery is normally grounded, or you want to defeat the alarm for any other reason, follow these steps:

- Shut down the AT10.1 and lock out all ac and dc voltage sources. This includes alarm and remote sense wires if they were installed. Open the front panel door and check with a voltmeter before proceeding.
- Locate jumper **J5** at the top left of the Main Control PC Board (A1) as shown on the previous page. Move the jumper to the **DISABLE** position. The **POS (+) GND** and **NEG (-) GND** indicators and the summary alarm relay (TB3) will not respond to a ground fault.

Restart the AT10.1, following the procedure in Section 2.1.

2.3.5. Setting the Current Limit value

The AT10.1 automatically limits its dc output current in case of overload or battery discharge. You can adjust the value of the Current Limit from 50% to 110% of rated current. The factory setting is 110%.

The Current Limit adjustment is the last step in the normal **Edit Mode** sequence. If the AT10.1 is not in the **Edit Mode**, press the **EDIT/ENTER** key six (6) times, until the meter display flashes the value of the Current Limit setting (in Amperes). Press and release the **UP** or **DOWN** key to increase or decrease the value in the display by one count, or press and hold the **UP** or **DOWN** key to scroll the value in the display upward or downward. When the meters display the desired Current Limit value, release the **UP** or **DOWN** key. If you go past the number you want, press the **UP** or **DOWN** key again to reach the number you want to set.

- Press the **EDIT/ENTER** key.
- The new Current Limit setting is saved internally.
- The front panel display will flash **End** to confirm.

If you do not press any front panel key for 25 seconds, **Edit Mode** ends automatically, and any change you made to the last setting is not saved.

OPERATING THE AT10.1

2.3.6. Enabling the High DC Voltage shutdown feature

The AT10.1 has a built-in (selectable) *shutdown* feature for high dc voltage events, to protect the battery. In case of any maladjustment, or internal failure that results in a continuous output voltage that is too high, the AT10.1 shuts down after 30 seconds. The front panel meter displays code **E 03**, and the summary alarm relay contact (TB3) transfers.

NOTICE

*The AT10.1 is normally shipped from the factory with the High DC Voltage shutdown feature **disabled**.*

The shutdown set point (Vdc) is the same as the High DC Voltage *alarm* setting. Refer to Section 2.3.4 on page 33.

To *enable* the HDCV shutdown feature:

- The AT10.1 must be in normal operation (not the **Edit Mode**) to enable HDCV Shutdown.
- Press both the **UP** and **CHRG MODE** keys simultaneously.
- The 4-digit front panel meter will briefly display **OFF**, then switch to **ON**. This confirms HDCV shutdown has been *enabled*.
- If the display briefly shows **ON**, then switches to **OFF**, HDCV shutdown was previously enabled. It is now *disabled*.
- Toggle the shutdown feature to the desired setting by pressing the **UP** or **DOWN** key.

Parallel Operation

If two (or more) AT10.1s are connected in parallel, both sense the output voltage. If one AT10.1 runs away, it will supply *all* the output current. The other will have *zero* output current. The high dc voltage shutdown does not operate in an AT10.1 with zero output current, so that only the *defective* AT10.1 (of two or more in parallel) shuts down. The other AT10.1 will continue to supply the load normally.

Once the desired shutdown setting is reached, do not press any further keys...and *wait*. After 4 seconds of inaction, the last state indicated (**ON** or **OFF**) is saved internally. The 4-digit front panel meter will display **END**, then automatically return to the previous meter mode. As stated, the **EDIT/ENTER** key is *not* used for the HDCV shutdown feature.

Resetting After Shutdown

If the AT10.1 shuts down because of high dc voltage event, the front panel meter displays error code **E 03**. Restart the AT10.1 after a shutdown by turning the ac input circuit breaker (CB1) off, then on again.

2.3.7. Adjusting the Voltmeter Accuracy

The AT10.1 voltmeter is adjusted at the factory to display the actual dc output voltage within $\pm 0.25\%$. The meter *must* be recalibrated if any component is replaced that affects meter accuracy, such as the Main Control PC Board (A1) or Scaling Resistor (R4). This adjustment procedure is different from all others, because the meter reading remains constant while the output voltage of the AT10.1 changes. Do this adjustment with a fully charged battery and no load connected.

- Enter **Edit Mode** to adjust the AT10.1 Float voltage to the desired value. See Section 2.3.2 on page 31 for adjusting Float voltage.
- After entering the Float voltage, exit **Edit Mode** by pressing the **EDIT/ENTER** key four (4) times until the AT10.1 returns to normal operation. If you do not press any front panel key for 25 seconds, **Edit Mode** ends automatically, and any change made to the last setting is not saved.
- After successfully exiting **Edit Mode**, you may adjust the voltmeter accuracy. Press and hold the **UP** and **EQLZ MTHD** keys simultaneously.
- The **DC VOLTS METER MODE** indicator will light, and the front panel display flashes the dc output voltage reading.
- Measure the AT10.1 dc output voltage using a meter accurate to $\pm 0.25\%$ or better.
- While watching the external meter *connected* to the AT10.1 output (not the front control panel display), press the **UP** or **DOWN** key until the actual (meter) output voltage matches the Float setting on the front panel display.

NOTICE

*Allow 1-2 seconds for the dc output voltage to stabilize each time you press the **UP** or **DOWN** key.*

- Each time you press **UP** or **DOWN**, the AT10.1 dc output voltage is raised or lowered by a small amount.
- Continue to press **UP** or **DOWN** until the actual (measured) dc voltage agrees with the front panel display reading, within $\pm 0.25\%$.
- When you are finished adjusting the output voltage, the AT10.1 waits 5 seconds before the front panel display automatically returns to normal operation.

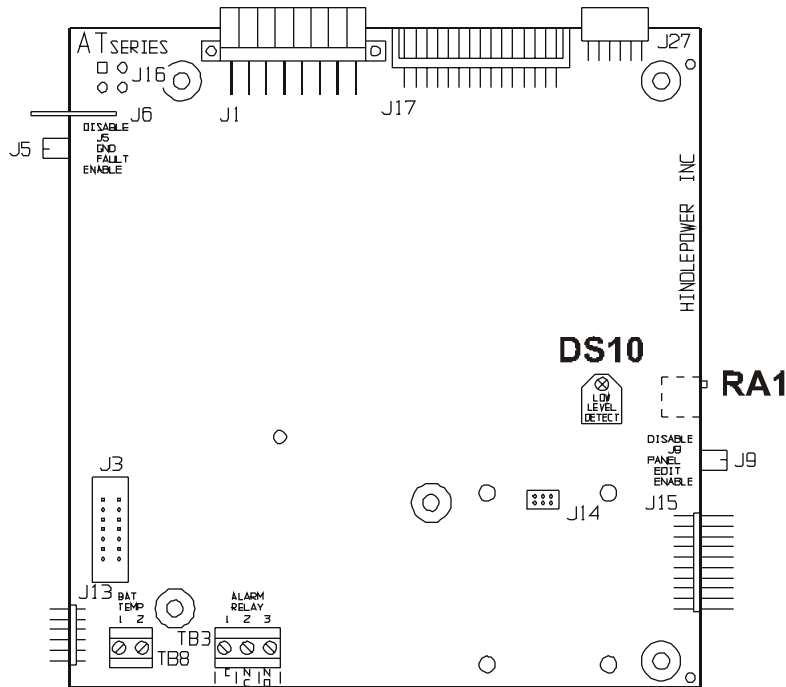
OPERATING THE AT10.1

2.3.8. Using the Low Level Detector (LLD)

The AT10.1 is equipped with a summary (common) alarm relay safety override circuit. This feature forces the alarm relay contact to transfer, sending an alarm, even if there is a catastrophic failure of the AT10.1 control circuitry. A low battery voltage triggers the safety circuit.

Main Control PC Board (A1) hardware, not software, maintains the low level detect circuit. Therefore, to remotely monitor this alarm, user connections must be made at terminal block (TB3). The summary alarm contacts (TB4) on the Auxiliary Alarm Relay PC Board will not signal a low level detect alarm.

If you have a dc power supply, you can adjust the battery voltage that triggers the alarm. On the back of the Main Control PC Board (A1), find the potentiometer **RA1**, as shown in the figure below.



Disconnect all ac and dc power sources from the AT10.1. Connect your dc power supply to the AT10.1 dc output terminals (TB1+/-), positive to positive and negative to negative. Adjust the power supply to the voltage at which you want to activate the alarm.

NOTICE

You need at least 50% of the nominal output voltage to power the AT10.1 Main Control PC Board (A1).

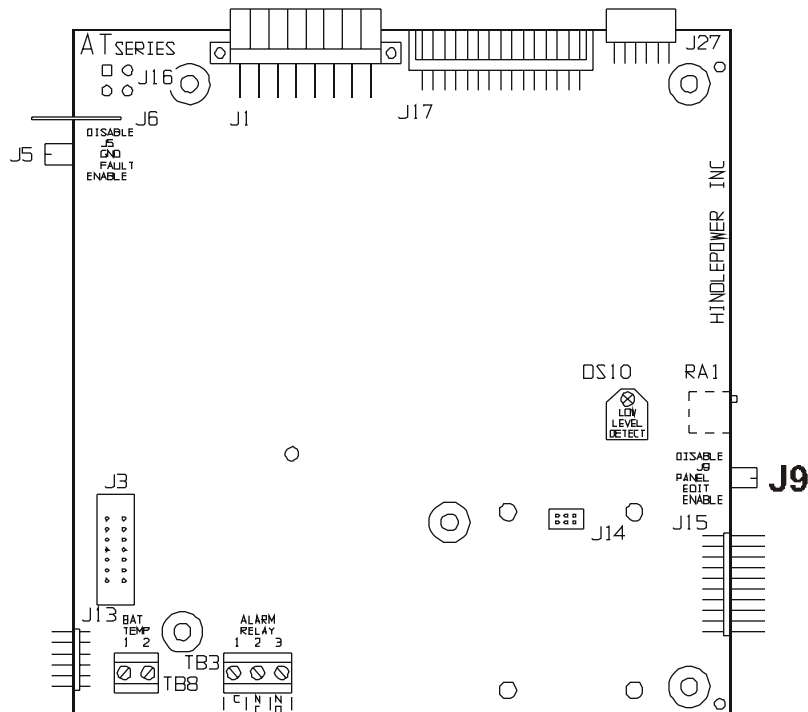
Adjust **RA1** with a small jeweler's screwdriver clockwise until the alarm just activates. A red LED indicator (**DS10**) next to **RA1** indicates when the alarm is active.

2.3.9. Using the front panel security feature

The AT10.1 is shipped from the factory with all the front control panel keys enabled. You can disable the following front panel functions:

- Selecting Equalize method
- Changing settings using the **EDIT/ENTER** key
- Toggling the High DC Voltage shutdown feature

To disable the front control panel keys, open the AT10.1 door and locate the small plastic jumper **J9** on the right side of the Main Control PC Board (A1). See the figure below.



Move the jumper up to the **DISABLE** position (pins 2 and 3). With this setting, only the front panel **METER MODE** and **CHRG MODE** keys will function. All indicators will still work normally. Return the jumper down to the **ENABLE** position (pins 1 and 2) to return all front panel key functionality.

OPERATING THE AT10.1

2.4. PERFORMING ROUTINE MAINTENANCE

⚠ WARNING

High voltages appear at several points inside the AT10.1. Use extreme caution when working inside the enclosure. Do not attempt to work inside the AT10.1 unless you are a qualified technician or electrician.

Disconnect and lock out all power from the AT10.1 before starting to remove or replace any components. Turn off ac power at the distribution panel upstream from the charger. Disconnect the battery from the AT10.1 dc output terminals (TB1+/-).

2.4.1. Keep it clean

At least once a year, vacuum all vented surfaces of the enclosure to ensure an adequate supply of cooling air.

- AT10.1 models rated 30-100 Adc are cooled by natural convection.

If you have an extremely dusty environment (especially if airborne dust is conductive), *carefully* vacuum out the interior. Clean the surfaces of circuit boards, and clean around electrical terminals.

The AT10.1 is rated for operation up to 122 °F / 50 °C. If your installation is in a warmer environment, or at an elevation over 3000ft / 914m, contact your sales representative for operating information.

2.4.2. Check power and signal connections

Check the tightness of all field connections inside the AT10.1, and connections to the battery. A loose or corroded connection at the battery terminals can be a fire or explosion hazard, and may cause erroneous operation of the AT10.1.

2.4.3. Check remote sense wiring (optional)

If you wired the AT10.1 for remote sense, check the signal connections to the battery or load, making sure insulation is in satisfactory condition. If there is a failure of the remote sense signal wiring, the AT10.1 displays the error code **E 06**. The AT10.1 returns to local control, sensing the output voltage at the charger output terminals (TB1+/-).

2.4.4. Check temperature compensation probe (optional)

If you are using the optional temperature compensation probe, confirm the probe (A10) is securely installed. Make sure the connectors and the wiring from the probe to the AT10.1 are in satisfactory condition.

If there is a failure of the temperature compensation probe, or the wiring, the AT10.1 displays the error code **E 08**.

2.4.5. Measuring the output ripple voltage (filtered models only)

If your AT10.1 is a filtered model, measure the ac ripple at the battery terminals at least once a year. Use an rms responding ac voltmeter.¹ If the battery Ampere-hour capacity is at least four (4) times the output current rating of the AT10.1, the ripple voltage should be no higher than the value featured in the specifications in Appendix A on page 70.

If you suspect that the output ripple voltage is too high, see "Output ripple voltage too high" of the *Troubleshooting Chart* in Section 3.4, page 54.

2.4.6. Viewing the voltage and alarm settings

You can review the parameter settings in the AT10.1 by pressing the **EDIT/ENTER** key on the front control panel. Each time you press the key, a different parameter displays, in the following order:

- Float voltage
- Equalize voltage
- Equalize time (in hours)
- High dc voltage alarm setting
- Low dc voltage alarm setting
- Current limit (in Amperes)

¹ Do not use a dc voltmeter. The ripple voltage on a battery is a very small ac voltage.

OPERATING THE AT10.1

SAMPLE PREVENTIVE MAINTENANCE PROCEDURE

AT10.1 BATTERY CHARGER ([JD0064-00](#))

Suggested Frequency: every six (6) months

Maintenance date _____ Performed by _____



High voltages appear at several points inside the AT10.1. Use extreme caution when working inside the enclosure. Do not attempt to work inside the AT10.1 unless you are a qualified technician or electrician.

Step (standard features)	Instructions	Results
Clean AT10.1	<ul style="list-style-type: none"> All vents clean and open. Dust and debris removed from inside unit. 	OK OK
Check all electrical connections and wiring	<ul style="list-style-type: none"> TB1 connections all tight. Internal wiring connections tight, slip-on connectors fully seated. Wire and lug insulation in satisfactory condition. Terminations at battery or dc bus are tight and corrosion free. 	OK OK OK
Check ac input voltage	<ul style="list-style-type: none"> Measure between TB1-L1 and TB1-L2 using an ac voltmeter. Value must be within +10% & -12% of nominal voltage. 	Input _____ Vac
Check dc output voltage	<ul style="list-style-type: none"> Measure at TB1(+) and TB1(-) using a dc voltmeter. Value should agree with front panel voltmeter within +/-0.25%, and must be correct values for the battery. If the AT10.1 is using a temperature compensation probe, see the graph on page 23 to determine correct battery voltage. You need to know the battery temperature for this step. 	Float _____ Vdc Equalize _____ Vdc
Check ripple voltage	<ul style="list-style-type: none"> Measure ac ripple at battery terminals using an ac voltmeter set to milliVolts scale. Check against specification in Appendix A on page 70. 	Ripple _____ mVac
Test font panel indicators	<ul style="list-style-type: none"> Press the LAMP TEST key on the front panel. 	OK
Test summary alarm relay	<ul style="list-style-type: none"> Press the LAMP TEST key and <i>hold</i> for 4 seconds. The summary alarm relay at TB3 will transfer. 	OK

OPERATING THE AT10.1

Exercise front panel controls	<ul style="list-style-type: none"> Switch from Float to Equalize, then back to Float. Turn off dc circuit breaker. E 07 may appear on display (requires at least 5% of rated output current). Reset dc breaker. 	OK OK
	<ul style="list-style-type: none"> Cycle through meter modes. 	VOLTS OK AMPERES OK HOURS OK
	<ul style="list-style-type: none"> Cycle through Equalize methods. 	MANUAL TIMER OK MANUAL EQLZ OK AUTO EQLZ TIMER OK
	<ul style="list-style-type: none"> Turn off ac circuit breaker. The AC INPUT FAILURE indicator LED should light. Reset ac breaker. 	Alarm OK
Check voltage and alarm settings	<ul style="list-style-type: none"> Use EDIT/ENTER key to scroll through settings. See page 30. 	FLOAT OK EQUALIZE OK HVDC alarm OK LVDC alarm OK Current Limit ____ Adc
Final checks	<ul style="list-style-type: none"> Make sure acrylic safety shield is in place. Restore AT10.1 to normal operation. Close latch on front panel. 	OK OK OK

Step (optional features)	Instructions	Results
Test auxiliary alarm relays	<ul style="list-style-type: none"> Press the LAMP TEST key and <i>hold</i> for 4 seconds. The discrete alarm relays at TB4 will transfer. 	OK
Check integrity of remote wiring	<ul style="list-style-type: none"> Remote sense wiring. See page 16. Temperature compensation wiring. See page 20. Temperature compensation probe. See page 20. 	OK OK OK
Final checks	<ul style="list-style-type: none"> Close padlock or key lock. 	OK

Step (10-year repair)	Instructions	Results
Replace Capacitors	<ul style="list-style-type: none"> Order and replace optional electrolytic filter capacitors (C1/C2). 	OK

ONLINE SUPPLEMENT (downloadable worksheet)
<http://www.ATSeries.net/PDFs/JD0064-00.pdf>



SERVICING THE AT10.1

3. SERVICING THE AT10.1

3.1. A STEP-BY-STEP TROUBLESHOOTING PROCEDURE

The AT10.1 is fully tested and calibrated from the factory, and should work for years with a minimum of attention. If you do encounter trouble, there are three (3) steps you should take to identify the problem and return the AT10.1 to service.

1. Check the front panel meter for an error code. The microprocessor control circuitry is able to diagnose common problems with the AT10.1, or with the installation or application. If the front panel displays an error code, see Section 3.2, *Interpreting Front Panel Error Messages*, for help in interpreting the code and solving the problem.
2. If the AT10.1 does not work properly, but there is no front panel error code, shut the unit down. Turn off (open) both front panel circuit breakers, and/or lock out ac and dc power externally. Restart the AT10.1 by restoring dc power *first*, followed by ac power second. This will return the AT10.1 to normal operation as long as there is no internal component failure.

NOTICE

Perform Step 2 only once. If the AT10.1 does not resume normal operation, go on to Step 3.

3. If the AT10.1 still does not work properly, make a list of the symptoms that you observe. Turn to *Using the troubleshooting chart* in Section 3.3. The troubleshooting chart relates common trouble symptoms to their causes, and gives the proper procedures for correcting the problem.
4. If the symptom does not appear on the troubleshooting chart, or if the recommended repair does not work, consult your sales or service representative to arrange for on-site or factory service.

3.2. INTERPRETING FRONT PANEL ERROR MESSAGES

If the AT10.1 control circuitry detects hardware or wiring problems, it may display an error code on the front panel meter. Certain non-error status codes are also displayed. To solve an error code problem, refer to the table below, which lists the codes and procedures to use.

⚠ WARNING

High voltages appear at several points inside the AT10.1. Use extreme caution when working inside the enclosure. Do not attempt to work inside the AT10.1 unless you are a qualified technician or electrician.

Disconnect and lock out all power from the AT10.1 before starting to remove or replace any components. Turn off ac power at the distribution panel upstream from the charger. Disconnect the battery from the AT10.1 dc output terminals (TB1+/-).

Error Code	Meaning	Repair Procedure
E 01	resistor R2 open or defective	<p>The Rating Resistor (R2) is installed at the back of the front panel in the Gate Driver PC Board (A11) input connector (J18). R2 is measured by the control circuitry on startup, and is used to determine some of the AT10.1 model-specific parameters, such as the Float voltage.</p> <p>If the AT10.1 detects that R2 is defective (or improper), it must be replaced. See Section 3.6 for parts ordering information. When you have completed the repair, restart the AT10.1 according to Section 2.1.</p>
E 02	short circuit on dc output	<p>The AT10.1 may display this error code if the battery is discharged to less than 6 Volts. When the battery re-charges to greater than 6 Volts, the error code will disappear. If you have a seriously discharged battery, allow the AT10.1 to run for 24 hours and check the battery voltage again. If it has not increased to the normal voltage rating, consult the battery manufacturer for help.</p> <p>If the battery voltage is normal, check the wiring at the AT10.1 dc output terminals (TB1+/-) for a short circuit.</p> <p>If the battery voltage is normal, and all external wiring is satisfactory, check the AT10.1 dc breaker (CB2). If it is tripped, try once to reset it. If it trips again immediately, there may be an internal short circuit in the AT10.1. Check the internal wiring. If the AT10.1 is filtered, check the dc filter capacitors (C1/C2) and the polarity diode (CR1).</p> <p>The AT10.1 normally recovers automatically from an E 02 condition. If you have shut down the AT10.1 for service, restart per Section 2.1.</p>
E 03	High DC Voltage shutdown activated	<p>To restart the AT10.1, turn the ac breaker off, then on. Check the Equalize voltage and High DC Voltage alarm settings. The HVDC alarm setting must be higher than the Equalize voltage setting.</p> <p>If you get another High DC Voltage shutdown after a few minutes of operation, there may be an internal component failure. See AT10.1 output voltage too high, or not controllable of the troubleshooting chart on page 52 in Section 3.4.</p>

SERVICING THE AT10.1

Error Code	Meaning	Repair Procedure
E 04	internal memory failure	<p>Any parameters that you set, such as Float or Equalize voltage, are saved internally. The internal memory is tested on startup. If the memory test fails, E 04 appears on the front display. The error may also appear if the controller was trying to write to the memory while a power failure occurred.</p> <p>If an E 04 code appears, try shutting down the AT10.1. Restart by turning on the dc breaker (CB2) first, followed by the ac breaker (CB1). If the AT10.1 restarts normally, you must reenter any changes you made to the factory settings (Float voltage, etc.).</p> <p>If E 04 appears repeatedly, the internal memory has been damaged. You must replace the Main Control PC Board (A1). See Section 3.6 for parts ordering information.</p>
E 05	<i>not used</i>	This error code was formerly used to indicate a reverse battery connection. It is not available in the AT10.1.
E 06	defective R4 or R14 resistor, or remote sense wiring failure	<p>Locate R4 and R14 on the Gate Driver PC Board (A11), mounted to the back side of the front control panel. Remove the wire harness plug from J18, and remove A11 from the Main Control PC Board (A1).</p> <p>Use an Ohmmeter to measure the values of R4 and R14 (see table 3-1 for the correct value). If either resistor is not within 1% of the specified value, the entire Gate Driver PC Board (A11) must be replaced (JD5012-11).</p> <p>If you are using remote sense wiring from the battery to the AT10.1, the wiring may have failed. The usual failure is an open circuit. A short circuit will usually be indicated by smoke or fire in the wiring.</p> <p>The AT10.1 displays the error code if it detects this wiring failure. You should respond to this problem quickly, to make sure the AT10.1 regulates the output voltage properly. Wire an annunciator (e.g. buzzer) to the summary alarm relay contact (TB3) for remote indication of any charger problem. Otherwise monitor the AT10.1 operation using the optional DNP3 Level 2 / Modbus Communications Module (JA0102-04).</p> <p>If a failure exists in remote sense wiring, the AT10.1 regulates its output voltage locally until you correct the problem, see Sections 1.9. The locally controlled voltage may not reflect the true requirements of the battery.</p> <p>When you complete the repair, restart the AT10.1 per Section 2.1.</p>
E 07	open dc breaker (CB2) or internal dc wiring failure	<p>If the dc breaker (CB2) is open, open the ac breaker (CB1). Restart by closing the dc breaker (CB2) first, followed by the ac breaker (CB1). If the dc breaker trips again, see the troubleshooting chart in Section 3.4.</p> <p>If the dc breaker (CB2) is closed, but the front panel meter displays E 07, check the battery. If the battery is disconnected, and you then disconnect the dc load, the AT10.1 may display an E 07 code. Restart the AT10.1 according to Section 2.1.</p> <p>If the battery and dc load are satisfactory, see the troubleshooting chart in Section 3.4 for help in locating the problem.</p>
E 08	defective temperature compensation probe	<p>See Application Note (JD5003-00) for more detailed user instructions.</p> <p>If a remote temperature compensation probe (A10) is connected to the AT10.1, the control circuitry detects the probe on startup and uses the temperature measured by the probe to control the output voltage of the charger. To understand temperature compensation, see Section 1.11.</p> <p>If the probe (A10) or the wiring that connects it to the Main Control PC Board (A1) fails during normal operation, the AT10.1 detects the failure and displays E 08 on the front panel meter.</p>

SERVICING THE AT10.1

Error Code	Meaning	Repair Procedure
E 08	defective temperature compensation probe (continued)	Disconnect the wiring at the probe and measure the resistance across the quick-connect leads with an Ohmmeter. The resistance should measure approximately 10,000 Ω at normal room temperature (77 °F / 25 °C). If the probe reads open or shorted, it needs to be replaced. If the probe is satisfactory, examine the wiring between the probe and the AT10.1. Also, check the connection of the cable to TB8 on the Main Control PC Board (A1) on the back of the front panel. If the wiring is satisfactory, the probe needs to be replaced. Once you have replaced the probe, restart the AT10.1 to activate temperature compensation.
E 09	misadjusted Current Limit	This code has been discontinued with Main Ctrl PCB firmware version 6.52. See Application Note (JD5035-00) for a description of this code.
E 10	open internal feedback loop	A redundant internal feedback loop (control loop) is provided to increase reliability when remote sensing is used. If there is a problem with the internal loop wiring, the front panel meter will display E 10 . Check the internal wiring in the signal harness, especially wire # 50 . Also check the harness connector (J18) on the Gate Driver PC Board (A11).
E 12	defective internal thermostat	The AT10.1 rectifier heat sinks have been equipped with non-standard over-temperature thermostats (S3x). On startup, the AT10.1 tests the thermostats, and displays E 12 if one or more are defective. Check each thermostat (S3x) for continuity. Disconnect the wiring and resistor (R28x) from the quick-connect terminals. The thermostat switch should be closed (NC) at normal room temperature.
E 13	internal over-temperature	One or more of the rectifier thermostats (S3x) has detected an over-temperature condition. If the rectifier is equipped with cooling fans, check all fans for proper operation. Also make sure that all enclosure vents are clear of debris, and that the ambient temperature is below 122 °F / 50 °C.
E 14	forced load sharing not working properly	See Appendix F on page 92. Verify both AT10.1s are functioning properly. Ensure that the forced load sharing interconnection cable assembly is not broken, is properly installed, and that the connector for the Secondary charger has the jumper as described. Ensure that both AT10.1s are connected to the same ac supply, and that source phase rotation is the same for both AT10.1s.
E 15	battery open	The AT10.1 has detected an open battery, see Appendix J on page 96.
E 16	remote shutdown	The AT10.1 has been shut down remotely, see Appendix H on page 95.
A 01	manual eqlz enabled for more than 24 hr	If the AT10.1 was accidentally left in manual Equalize mode, switch the unit back to Float mode, manual Equalize timer mode, or auto-equalize timer mode, according to Section 2.2.4 on page 27.
A 02	Equalize mode inhibited	If you set the Equalize timer to zero (0) hours, Equalize mode is inhibited. When you try to put the AT10.1 into Equalize mode from the front panel controls, the meter displays status code A 02 . If you want to enable Equalize mode, set the Equalize timer to one (1) or more hours.
A 04	voltmeter calibration inhibited w/TempCo active	While using temperature compensation, the AT10.1 internal dc voltmeter cannot be calibrated. Disconnect one wire of the TempCo cable from TB8 on A1. Restart the AT10.1 and perform the voltmeter calibration according to Section 2.3.7 on page 37. Reconnect the TempCo cable to TB8, and restart the AT10.1. See Application Note (JD5003-00) for further details.
A 05	dc output at Current Limit setting	The AT10.1 is in Current Limit mode. This will occur when there is a large load on the dc bus, or the battery has discharged. Make sure that the AT10.1 is sized correctly for the application, and that the Current Limit value has been set correctly. See Section 2.3.5 on page 35.

SERVICING THE AT10.1

3.3. USING THE TROUBLESHOOTING CHART

⚠ WARNING

High voltages appear at several points inside the AT10.1. Use extreme caution when working inside the enclosure. Do not attempt to work inside the AT10.1 unless you are a qualified technician or electrician.

Disconnect and lock out all power from the AT10.1 before starting to remove or replace any components. Turn off ac power at the distribution panel upstream from the charger. Disconnect the battery from the AT10.1 dc output terminals (TBI+/-).

Before you try to use the troubleshooting chart, confirm you have followed the steps in Section 3.1.

The troubleshooting chart that begins on the next page is divided into three (3) columns. To use the chart:

1. Make a list of the AT10.1's condition, including the trouble symptoms.
2. Find the symptom(s) in the first column of the chart.
3. The middle column contains common causes for the problem you observe, in order of probability.
4. Follow the action described in the right-hand column to correct the problem and return the AT10.1 to normal service.

Determining the condition of the AT10.1:

- Is the front panel **AC ON** indicator lit?
- What is the ac voltage at the input terminals (measured with an ac voltmeter)?
- What is the dc voltage at the output terminals (measured with a dc voltmeter)?
- Does the front panel meter display any voltage or current?
- Are any alarm indicators lit?
- Do the front panel status indicators work (Charge Mode, for example)?
- Can you change the AT10.1 to the Equalize mode and back to Float?
- Is the AT10.1 making any noise? Is it unusually loud?
- Is there any sign or smell of smoking or burning?

While using the Troubleshooting Chart, refer to the internal component layout drawings and connection diagrams in Appendix C. For instructions on replacing components, see Section 3.5.

3.4. TROUBLESHOOTING CHART

SYMPTOM	PROBABLE CAUSE	RECOMMENDED ACTION
Front panel meter displays all segments on or all segments off AT10.1 may have no output	1. An external surge has interrupted operation of the microprocessor or the display controller.	1A. Perform a soft reset of the Main Control Board (A1). The RESET switch (S7) is a push-button in the upper-right corner of A1 (as viewed from the rear of the opened front door). This will restart the AT10.1 controls, without modifying any settings. 1B. Perform a hard reset the Main Control Board (A1), by pressing and holding the [UP] button on the front control panel, and simultaneously pressing RESET switch (S7). This will restart AT10.1 controls, and restore all settings to factory default. Reset parameters per Section 2.3 on Page 30. 1C. Remove all power from the AT10.1 to allow the control board to discharge internal voltages. Open the ac input circuit breaker (CB1) and disconnect all plugs on the Main Control PC Board (A1). Keep power removed for approximately 5 minutes to allow voltages to discharge. Reconnect & restart.
AC breaker (CB1) trips immediately	1. Shorted rectifier diode or SCR in module 2. Defective wiring to transformer or rectifier 3. Defective transformer	1. Disconnect wire # 6 from the right-side SCR module (Q2), or at the main power transformer (T1-X1). Measure the resistance between the ac (bottom) terminals of the SCR modules (Q1/Q2), checking both polarities. It should be at least 100,000 Ω . If resistance is low in either direction, replace the rectifier module (Q1/Q2) as needed. 2. Check spacing of terminals. Check wiring for signs of insulation damage, burns, etc. Repair as necessary. 3. Test by disconnecting wires from X1, X5, Y1 and Y2. If ac breaker still trips, replace the transformer (T1).
AC breaker (CB1) trips after a few minutes	1. Loose connection to breaker/fuse 2. Wrong ac voltage, or T1 taps mis-wired 3. Open SCR 4. SCR not controllable	1. Check connections to the ac input circuit breaker (CB1) and optional ac input fuses (F1A/F1B). Tighten as required. 2. Confirm the transformer primary taps (T1-H#) are wired correctly for the ac input voltage supply. See Section 1.6 for details. 3. Use a clamp-on ammeter to measure the current in wires # 5 and # 6 (between the transformer and rectifier). If it less than 50% of the dc output current, one of the SCRs or diodes is defective. Replace rectifier modules (Q1/Q2) as needed. 4. Disconnect wires # 51/52 and # 53/54 from the SCR gate lead terminals. These are the small gauge twisted pairs. Note the original polarity so they can be replaced with the same orientation. Restart the AT10.1. If you are able to measure output current, one of the SCRs is defective. Test and replace rectifier modules (Q1/Q2) as needed.

SERVICING THE AT10.1

SYMPTOM	PROBABLE CAUSE	RECOMMENDED ACTION
DC breaker (CB2) trips <i>immediately</i>	1. Battery connected with reverse polarity 2. Defective rectifier bridge (if AT10.1 is UN-filtered) 3. Defective free-wheeling diode 4. Defective polarity diode, if dc filter assembly is installed 5. Defective wiring	1. Check battery wiring. Correct if necessary. 2. Test by disconnecting wire # 6 from the right side heat sink-mounted SCR module (Q2), or if possible at the other end from T1-X1. Measure resistance between the bottom (ac) terminals on both rectifier modules. Check both polarities. It should be at least 100,000 Ω. If resistance is low in either direction, replace SCR modules (Q1/Q2) as needed. 3. Disconnect wire # 15 from the lower bus bar (W1+) on the heat sink assembly. Measure resistance through the free-wheeling diode (CR4), mounted on the top bus bar (W2-). Check both polarities. It should be at least 100,000 Ω in one polarity, and less than 1,000 Ω in the other polarity. If it is defective, replace the free-wheeling diode (CR4). 4. Disconnect wire # 17 from the dc breaker (CB2). Measure the resistance through the polarity diode (CR1) mounted on the dc current shunt (R1). Check both polarities. It should be at least 100,000 Ω in one polarity, and less than 1,000 Ω in the other polarity. If it is defective, replace the polarity diode (CR1). 5. Check spacing of terminals. Check wiring for signs of insulation damage, burns, etc. Repair as necessary.
DC breaker (CB2) trips after a few minutes	1. Loose connection to breaker 2. Open SCR 3. SCR not controllable 4. Defective Gate Driver PC Board (A11) 5. Defective Main Control PC Board (A1)	1. Check connections to the dc output circuit breaker (CB2) and optional dc output fuses (F3/F4). Tighten required. 2. Use a clamp-on ammeter to measure current in wires # 5 and # 6, between the transformer (T1) and SCR modules (Q1/Q2). If it is less than 50% of the dc output current, one of the SCRs is defective. Replace SCR modules (Q1/Q2) as needed. 3. Disconnect the twisted pair wires # 51/52 and # 53/54 from the SCR (Q1/Q2) gate lead terminals. Note the original polarity so wires can be replaced with the same orientation. Restart the AT10.1. If you are able to measure output current, one of the SCRs is defective. Replace SCR modules (Q1/Q2) as needed. 4. If the front panel meter digital display reads more than 110% of the AT10.1's rated dc output current, the Gate Driver PC Board (A11) may be defective. Unplug A11 from the Main Control PC Board (A1). If the output current does not drop to zero, replace the Gate Driver PC Board (A11). See Service Instruction (JD5012-11) . 5. If the front panel meter displays more than 110% of the AT10.1's rated dc output current, the control board may be defective. Unplug the system harness connector (J18) from the Gate Driver PC Board (A11). If the output current drops to zero, replace the Main Control PC Board (A1).

SERVICING THE AT10.1

SYMPTOM	PROBABLE CAUSE	RECOMMENDED ACTION
<p>No output current, but AC ON lamp is out</p> <p>ac & dc breakers are closed (on)</p>	<p>1. Site ac supply failure</p> <p>2. Optional ac input fuse (F1A/F1B) is blown</p> <p>3. Defective wiring</p> <p>4. Defective transformer (T1)</p>	<p>1. If AC ON indicator is out, check the site's ac feeder circuit breaker, ac fuses, and/or ac disconnect switch.</p> <p>2. Remove the ac input fuses from their box holder. Check if blown with an Ohmmeter or fuse tester. Replace F1A and/or F1B as needed.</p> <p>NOTICE If the replacement fuses blow, see the Sections titled "AC breaker trips immediately" and "AC breaker trips after a few minutes" for further troubleshooting hints.</p> <p>3. Check the terminals and all wiring in between the transformer secondary (T1-X#) and the dc output terminals (TB1+/-). Check wire # 44 from T1-Y1 and wire # 45 from T1-Y2 to the Gate Driver PC Board connector (A11-J18). Repair wiring as necessary.</p> <p>4. Use an ac voltmeter to measure the secondary potential from T1-X1 to X5. It is normally 50% to 80% higher than the rated dc output voltage. If it is too low, check the primary tap wiring. See Section 1.6 for details. If the primary (T1-H#) voltage is 0 Vac, replace the main power transformer (T1).</p>
<p>No output current, but AC ON lamp is on</p> <p>ac & dc breakers are closed (on)</p> <p>optional fuses are not blown</p>	<p>1. Battery is fully charged</p> <p>2. Float or Equalize Vdc is set too low</p> <p>3. Wrong ac input voltage, or T1 mis-wired</p> <p>4. Defective wiring</p> <p>5. Defective SCR module</p> <p>6. Defective Gate Driver PC Board (A11)</p> <p>7. Defective transformer</p> <p>8. Defective inductor (L1 or L2)</p> <p>9. Defective dc output circuit breaker (CB2)</p>	<p>1. This is normal operation in a charger/battery system with little or no dc load. As long as the AT10.1 maintains Float voltage, it is operating normally.</p> <p>2. Check the Float and Equalize voltages and adjust them if necessary. Consult the battery manufacturer for proper voltage settings.</p> <p>3. Confirm the transformer primary taps (T1-H#) are wired correctly for the ac input voltage. See Section 1.6 for details.</p> <p>4. Check the terminals and all wiring in between the transformer secondary (T1-X#) and the dc output terminals (TB1+/-). Repair as necessary.</p> <p>5. Use an ac voltmeter to measure the voltage between the gate leads on each SCR module. If you measure about 1.0V rms, but there is no output current, replace SCR modules (Q1/Q2) as needed.</p> <p>6. If you do not measure any ac voltage in Step 5 above, and the battery voltage is less than the Float voltage setting, replace Gate Driver PC Board (A11). See Service Instruction (JD5012-11).</p> <p>7. Use an ac voltmeter to measure the ac voltage from T1-X1 to X5. If it is too low, check the wiring of the primary taps. See Section 1.6 for details. If the ac primary (T1-H#) voltage is 0 Vdc, replace the main transformer (T1).</p> <p>8. Disconnect the wiring at the main inductor and measure the resistance between the terminals (L1-1/2). If it is an open circuit, replace the inductor (L1). If the optional dc filter is installed, repeat at inductor terminals (L2-1/2).</p> <p>9. Shut down the AT10.1 and disconnect the battery. Connect a light dc load to the AT10.1 and turn on (close) the dc output circuit breaker (CB2). Measure dc voltage across TB1(+) and TB1(-). If no voltage is measured, replace the dc output breaker (CB2).</p>

SERVICING THE AT10.1

SYMPTOM	PROBABLE CAUSE	RECOMMENDED ACTION
Front panel is dead, but ac & dc voltages are present at TB1(+/-)	<ol style="list-style-type: none"> 1. Control pc boards (A1/A11) not connected 2. Defective Main Control PC Board (A1) 3. Defective wiring 	<ol style="list-style-type: none"> 1. Confirm the Gate Driver PC Board (A11-P17) is firmly connected to the Main Control PC Board (A1-J17). Confirm the signal harness plug is firmly inserted into the Gate Driver PC Board connector (J18). 2. If the green AC ON indicator is lit, but the rest of the front panel display is dead, replace the Main Control PC Board (A1). 3. Check the harness wiring to the Gate Driver PC Board connector (A11-J18), for signs of insulation damage, burns, etc. Confirm all wires are securely crimped in the connector.
Front panel dies during ac power failure, but dc voltage is present at TB1(+/-)	<ol style="list-style-type: none"> 1. Defective Power Supply Ballast Resistor (R3) 2. Defective wiring 	<ol style="list-style-type: none"> 1. Use a dc voltmeter to measure voltage from TB1(-) to J1 pin # 8 on the Main Control PC Board (A1). It is normally 12 Vdc when the rated dc output voltage is present at TB1(+/-). If it is not 12 Vdc, remove all power from the AT10.1 and measure the resistance of R3, from TB1(+) to J1 pin # 8. See the table in Section 3.6 for the proper resistance value. If the resistance is not within 10% of the table value, replace R3. 2. Remove the clear safety shield. Check the wiring to and from TB1 and the Main Control PC Board (A1) for signs of insulation damage or burns. Repair any damaged wiring.
AT10.1 output voltage too high, or not controllable	<ol style="list-style-type: none"> 1. Defective SCR 2. Defective or wrong value scaling resistor (R4 or R14) 3. Defective temperature compensation probe (optional) 4. Defective Main Control PC Board (A1) 	<ol style="list-style-type: none"> 1. Disconnect the twisted pair wires # 51/52 and # 53/54 from the SCR (Q1/Q2) gate lead terminals. Note the original polarity so wires can be replaced with the same orientation. Restart the AT10.1. If you are able to measure output current, one of the SCRs is defective. Replace SCR modules (Q1/Q2) as needed. 2. On the back of the front panel, locate R4 and R14 on the Gate Driver PC Board (A11). Remove one end of each resistor and measure its value with an Ohmmeter. Refer to the table in Section 3.6 for values. If either resistor is not within 1% of the specified value, replace the scaling resistors (R4 and/or R14) as needed. 3. Remove the leads from the probe and measure its resistance. At 77 °F / 25 °C the resistance should be about 10,000 Ω. If it is not, replace the probe assembly (A10). 4. If the front panel meter displays more than 110% of the AT10.1 rated dc current, the Main Control PC Board (A1) may be defective. Unplug the system harness connector (J18) from the Gate Driver PC Board (A11). If the output current drops to zero (Adc), replace the Main Control PC Board (A1).

SERVICING THE AT10.1

SYMPTOM	PROBABLE CAUSE	RECOMMENDED ACTION
Output voltage does not agree with front panel meter	<ol style="list-style-type: none"> 1. Temperature compensation probe is installed 2. Components may have been replaced 3. Defective or wrong value scaling resistor (R4 or R14) 4. Defective Main Control PC Board (A1) 	<ol style="list-style-type: none"> 1. If the optional temperature compensation probe is installed, the output voltage may be different from the selected Float or Equalize voltage. See Section 1.11, Step 11. The difference in voltages depends on the probe temperature. The front panel meter always displays the selected voltage as if the battery were at 77 °F / 25 °C. 2. If the Main Control PC Board (A1), or any other electrical component, has recently been replaced, recalibrate the digital dc meter as described in 2.3.7. 3. On the back of the front panel, locate R4 and R14 on the Gate Driver PC Board (A11). Remove one end of each resistor and measure its value with an Ohmmeter. Refer to the table in Section 3.6 for values. If either resistor is not within 1% of the specified value, replace the scaling resistors (R4 and/or R14) as needed. 4. Turn off (open) both front panel circuit breakers. Wait 60 seconds. Restart by restoring dc power <i>first</i>, followed by ac power second. If the AT10.1 still displays or outputs the wrong output voltage, replace the Main Control PC Board (A1).
AT10.1 never reaches Float or Equalize voltage (within 1%)	<ol style="list-style-type: none"> 1. Current limit set too low 2. Defective battery or dc load, or load is too great 3. Wrong ac voltage, or Vac too low, or T1 mis-wired 4. Defective SCR 5. Defective Main Control PC Board (A1) 	<ol style="list-style-type: none"> 1. If the AT10.1 is not in Edit Mode, press the EDIT/ENTER key six (6) times, until the meter display flashes the Current Limit value (in Amperes). If the Current Limit is less than 110%, adjust it up to 110% as described. See Section 2.3.5, <i>Setting the Current Limit Value</i>, for details. 2. Check each cell of the battery. If one or more cells are shorted, the AT10.1 may not be able to reach the Float voltage setting. You may have the same problem if normal dc load current is more than the rated output current of the AT10.1. 3. Confirm the primary taps (T1-H#) are wired correctly for the ac input voltage. See Section 1.6, <i>Changing Transformer Taps</i>. The actual ac input voltage must be at least 88% of the rated value for the AT10.1 to produce full output power. 4. Use a clamp-on ammeter to measure current in wires # 5 and # 6, between the transformer (T1) and SCR modules (Q1/Q2). If it is less than 50% of the dc output current, one of the SCRs is defective. Replace SCR modules (Q1/Q2) as needed. 5. Turn off (open) both front panel circuit breakers. Wait 60 seconds. Restart by restoring dc power <i>first</i>, followed by ac power second. If the AT10.1 output is below the Current Limit value, but it still has the wrong output voltage, replace the Main Control PC Board (A1).

SERVICING THE AT10.1

SYMPTOM	PROBABLE CAUSE	RECOMMENDED ACTION
Input current too high	<ol style="list-style-type: none"> Wrong ac voltage, or Vac too low, or T1 mis-wired Defective SCR module Defective Transformer 	<ol style="list-style-type: none"> Confirm the primary taps (T1-H#) are wired correctly for the ac input voltage. See Section 1.6, <i>Changing Transformer Taps</i>. The actual ac input voltage must be at least 88% of the rated value for the AT10.1 to produce full output power. Disconnect the twisted pair wires # 51/52 and # 53/54 from the SCR (Q1/Q2) gate lead terminals. Note the original polarity so wires can be replaced with the same orientation. Restart the AT10.1. If you are able to measure output current, one of the SCRs is defective. Replace SCR modules (Q1/Q2) as needed. Test by disconnecting secondary wires from T1-X1, T1-X5, T1-Y1 and T1-Y2. If ac input current is still too high, replace the main power transformer (T1).
Output ripple voltage too high	<ol style="list-style-type: none"> AT10.1 is UN-filtered Battery is disconnected or defective Battery too small for charger dc current rating One or more defective dc filter capacitors 	<ol style="list-style-type: none"> Verify by comparing model number on data nameplate decal against the ordering code on the inside front cover of this manual. If necessary, order and install dc filter field kit. Confirm battery, which lowers ripple, is connected. Inspect battery according to the manufacturer's instructions. Measure ripple voltage on the dc output, and compare the value against the specification for your AT10.1 model on page 70. The listed ripple rating is for a battery Ampere-hours rating which is four (4) times the charger Ampere rating. For a smaller battery, ripple may be higher. Shut down the AT10.1 and wait several minutes to allow capacitors to discharge. Open the AT10.1 and locate the blue cylindrical electrolytic filter caps. Test each with a capacitance meter. Replace dc filter capacitors (C1 and/or C2) as needed.
AT10.1 very noisy	<ol style="list-style-type: none"> Loose hardware or enclosure panel Defective SCR module 	<ol style="list-style-type: none"> Open the AT10.1 front panel door. Check and tighten all internal component mounting hardware. Close and secure the front panel. Check and tighten all external enclosure hardware. Use a clamp-on ammeter to measure current in wires # 5 and # 6, between the transformer (T1) and SCR modules (Q1/Q2). If it is less than 50% of the dc output current, one of the SCRs is defective. Replace SCR modules (Q1/Q2) as needed.
Meter readings are erratic	<ol style="list-style-type: none"> Defective or disconnected battery Defective or wrong value scaling resistor (R4 or R14) Defective Main Control PC Board (A1) 	<ol style="list-style-type: none"> Shut down the AT10.1. With a light dc load connected to the battery, confirm each cell reads the nominal cell voltage (2.0V for lead-acid or 1.25V for Ni-Cd). Restart the AT10.1. Each cell should now read the nominal Float voltage (2.2V for lead-acid or 1.35V for Ni-Cd). On the back of the front panel, locate R4 and R14 on the Gate Driver PC Board (A11). Remove one end of each resistor and measure its value with an Ohmmeter. Refer to the table in Section 3.6 for values. If either resistor is not within 1% of the specified value, replace scaling resistors (R4 and/or R14) as needed. If the measured dc output voltage is constant, but the front panel meter display reading is erratic, replace the Main Control PC Board (A1).


SERVICING THE AT10.1

SYMPTOM	PROBABLE CAUSE	RECOMMENDED ACTION
Lamp Test key does not work, or some LEDs do not light	<ol style="list-style-type: none"> 1. No Vac 2. Main Control PC Board (A1) is not secured to front panel 3. Defective Main Control PC Board (A1) 	<ol style="list-style-type: none"> 1. The Lamp Test key does not work during an ac power failure. 2. Open the AT10.1 front panel door. Confirm the Main Control PC Board (A1) is securely mounted to the nylon standoffs. All indicators should extend about 0.125in / 3.2mm through the front of the panel. 3. Press the LAMP TEST key. If some, but not all, of the indicators light, or the digital dc meter does not display "BBBB", replace the Main Control PC Board (A1).
One or more front panel keys do not work	<ol style="list-style-type: none"> 1. Front panel is locked 2. Main Ctrl PCB (A1) not secured to front panel 3. Defective Main Control PC Board (A1) 	<ol style="list-style-type: none"> 1. Open the AT10.1 front panel door. Confirm jumper (J9) on the Main Control PC Board (A1) is in the ENABLE position. 2. Open the AT10.1 front panel door. Confirm the Main Control PC Board (A1) is securely, and evenly, mounted to the nylon standoffs. Front panel keys must operate freely. 3. Turn off (open) both front panel circuit breakers. Wait 60 seconds. Restart by restoring dc power first, followed by ac power second. If some of the front panel keys still do not work, replace the Main Control PC Board (A1).
Two (2) AT10.1s connected in parallel, but only one has output current	<ol style="list-style-type: none"> 1. If the forced load sharing option is not supplied, check for normal operation of both AT10.1s 2. FLS option (p/n EJ5126-##) 	<ol style="list-style-type: none"> 1. Multiple AT10.1s are not designed to share load current, without the optional forced load sharing cable installed. When two (2) or more AT10.1s are connected in parallel without this option, it is normal for one of the units to have no dc output current. You can check the operation of the "off" AT10.1 by increasing its Float voltage until it starts to deliver dc output current. When you have finished the test, make sure both AT10.1s are set to the same Float and Equalize voltages. 2. See Appendix F on page 92 for troubleshooting of the AT Series Forced Load Sharing feature.
HIGH DC VOLTAGE indicator is on	<ol style="list-style-type: none"> 1. HVDC alarm and Equalize voltage settings are mismatched 2. Defective SCR module 3. Defective Main Control PC Board (A1) 	<ol style="list-style-type: none"> 1. Confirm the High DC Voltage alarm setting is higher than the Equalize voltage setting. See Sections 2.3.2 and 2.3.4 for details. 2. Disconnect the twisted pair wires # 51/52 and # 53/54 from the SCR (Q1/Q2) gate lead terminals. Note the original polarity so wires can be replaced with the same orientation. Restart the AT10.1. If you are able to measure output current, one of the SCRs is defective. Replace SCR modules (Q1/Q2) as needed. 3. Turn off both front panel breakers. Wait 60 seconds. Restart by restoring dc power first, followed by ac power second. If the AT10.1 output voltage is normal, but the HIGH DC VOLTAGE indicator is still on, replace the Main Control PC Board (A1).
No alarm , but output voltage is above High DC Voltage setting	<ol style="list-style-type: none"> 1. Output current is below 2% 2. Defective Main Control PC Board (A1) 	<ol style="list-style-type: none"> 1. The AT10.1 dc output current must be greater than 2% of rated value to produce a High DC Voltage alarm. See Parallel Operation passage in Section 2.3.6. 2. Turn off both front panel breakers. Wait 60 seconds. Restart by restoring dc power first, followed by ac power second. If the AT10.1 dc output voltage is above the alarm setting, but the HIGH DC VOLTAGE indicator still does not light, replace the Main Control PC Board (A1).

SERVICING THE AT10.1

SYMPTOM	PROBABLE CAUSE	RECOMMENDED ACTION
<p>LOW DC VOLTAGE indicator is on ac & dc breakers are closed ac input voltage is normal dc output current is present</p>	<ol style="list-style-type: none"> 1. Battery is discharged 2. Low DCV alarm and Float voltage settings are mismatched 3. Defective SCR module 4. Defective Main Control PC Board (A1) 5. Defective dc output circuit breaker (CB2) 	<ol style="list-style-type: none"> 1. After an ac power failure, or battery discharge for any other reason, it may take several hours to recharge the battery. It is normal for the LOW DC VOLTAGE indicator to be on until the battery voltage is above the Low DC Voltage alarm setting. 2. Make sure the Low DC Voltage alarm setting is lower than the Float voltage setting. See Sections 2.3.2 and 2.3.4 for details. 3. Use a clamp-on ammeter to measure current in wires # 5 and # 6, between the transformer (T1) and SCRs (Q1/Q2). If it is less than 50% of the dc output current, one of the SCRs is defective. Replace SCR modules (Q1/Q2) as needed. 4. Turn off (open) both front panel circuit breakers. Wait 60 seconds. Restart by restoring dc power first, followed by ac power second. If the AT10.1 output voltage is normal, but the LOW DC VOLTAGE indicator is still on, replace the Main Control PC Board (A1). 5. Shut down the AT10.1 and disconnect the battery. Connect a light dc load to the AT10.1 and turn on (close) the dc circuit breaker (CB2). Measure the dc voltage across TB1(+) and TB1(-). If no voltage is measured, replace the dc output circuit breaker (CB2).
<p>DC OUTPUT FAILURE indicator is on ac & dc breakers (CB1/CB2) are closed ac input voltage is normal</p>	<ol style="list-style-type: none"> 1. Defective SCR module 2. Defective Main Control PC Board (A1) 3. Defective transformer (T1) 4. Defective dc output circuit breaker (CB2) 	<ol style="list-style-type: none"> 1. Use a clamp-on ammeter to measure current in wires # 5 and # 6, between the transformer (T1) and SCRs (Q1/Q2). If it is less than 50% of the dc output current, one of the SCRs is defective. Replace SCR modules (Q1/Q2) as needed. 2. Turn off (open) both front panel circuit breakers. Wait 60 seconds. Restart by restoring dc power first, followed by ac power second. If the AT10.1 output voltage and current are normal, but the DC OUTPUT FAILURE indicator is still on, replace the Main Control PC Board (A1). 3. Use an ac voltmeter to measure the secondary potential from T1-X1 to X5. It is normally 50% to 80% higher than the rated dc output voltage. If it is too low, check the primary tap wiring. See Section 1.6 for details. If the primary (T1-H#) voltage is 0 Vac, replace the main power transformer (T1). 4. Shut down the AT10.1 and disconnect the battery. Connect a light dc load to the AT10.1 and turn on (close) the dc circuit breaker (CB2). Measure the dc voltage across TB1(+) and TB1(-). If no voltage is measured, replace the dc output circuit breaker (CB2).
<p>AC INPUT FAILURE indicator is on</p>	<ol style="list-style-type: none"> 1. AC power failure 2. Tripped upstream feed breaker / fuse 	<ol style="list-style-type: none"> 1. If the ac input power fails, the front panel AC ON indicator goes out, and the AC INPUT FAILURE indicator goes on. 2. Make sure the front panel ac input circuit breaker (CB1) is closed. Measure ac voltage at TB1-L1 to TB1-L2. If it is zero (Vac), check upstream ac distribution breaker and/or fuses.

SERVICING THE AT10.1

SYMPTOM	PROBABLE CAUSE	RECOMMENDED ACTION
AC INPUT FAILURE indicator is on <i>(continued)</i>	3. Defective wiring 4. Defective Main Control PC Board (A1)	3. Measure ac voltage at the transformer primary taps (T1-H1 and T1-H5). It should be the same as the ac input supply voltage. 4. Turn off (open) both front panel circuit breakers. Wait 60 seconds. Restart by restoring dc power first , followed by ac power second. If the AC ON and AC INPUT FAILURE indicators are both still on, replace the Main Control PCB (A1).
POS (+) GND or NEG (-) GND indicator is on 	1. External ground fault on dc bus 2. DC output circuit breaker (CB2) is open and POS (+) GND indicator is on 3. Alarm needs calibration 4. Defective internal charger wiring 5. Defective Main Control PC Board (A1) 6. Paralleled AT10.1(s) are shut down	1. The AT10.1 is functioning properly! 😊 It has correctly detected a site ground fault external to the charger. Shut down and disconnect the AT10.1 from the battery and dc bus. Isolate the battery, loads, and any other components on the dc bus. Check each component individually for possible ground faults. See Application Note (JD5032-00) for assistance. NOTICE 2. If the AT10.1 has been placed into "standby", by opening the dc breaker (CB2), the ground detection circuit supplies an erroneous alarm. This is considered an abnormal condition for the AT10.1, and is not recommended. Close the dc breaker (CB2) and the alarm should end. To place the AT10.1 in "standby", open both front panel bkr (CB1/CB2). 3. Calibrate the AT10.1 ground fault detection sensitivity. See Section 2.3.4 for details. 4. Turn off (open) both front panel circuit breakers. Disconnect the AT10.1 from the battery and dc bus. Restart the AT10.1. Measure voltage from TB1(+) to chassis, and then from TB1(-) to chassis. The voltage readings should be equal, each approximately half the total output voltage (Vdc). If there is more than a 10% imbalance, shut down the AT10.1. Inspect all wiring from TB1(+/-) to the dc circuit breaker (CB2), and from the SCRs (Q1/Q2) to the dc filter inductor (L1). Look for evidence of insulation damage, wires run too close to metal edges, or insufficient spacing between terminals and chassis. 5. Turn off (open) both front panel circuit breakers. Wait 60 seconds. Restart by restoring dc power first , followed by ac power second. If you are sure there is no ground fault on the external bus or within the AT10.1, but the POS (+) GND or NEG (-) GND indicator is still on, replace the Main Control PC Board (A1). 6. Restart all other AT10.1s connected in parallel with unit that is experiencing ground fault alarm. Otherwise, disconnect and lock out from the dc bus all shut down AT10.1s.
Summary relay (TB3) is in alarm mode, but no front panel alarm indicator is on	1. Defective Main Control PC Board (A1)	1. Turn off (open) both front panel circuit breakers. Wait 60 seconds. Restart by restoring dc power first , followed by ac power second. If the summary relay remains in alarm mode, check the Low Level Detect indicator (DS10) on the Main Control PC Board (A1). See Section 2.3.8. If no other alarm is on, replace the Main Control PC Board (A1).

SERVICING THE AT10.1

3.5. REPLACING DEFECTIVE COMPONENTS

WARNING

High voltages appear at several points inside the AT10.1. Use extreme caution when working inside the enclosure. Do not attempt to work inside the AT10.1 unless you are a qualified technician or electrician.

Disconnect and lock out all power from the AT10.1 before starting to remove or replace any components. Turn off ac power at the distribution panel upstream from the charger. Disconnect the battery from the AT10.1 dc output terminals (TB1+/-).

Wait several minutes... to allow voltage potentials in dc filtering electrolytic capacitors (C1/C2) to bleed off.

NOTICE

While performing the following procedures, refer to the standard drawings in Appendix C for information on identifying internal components.

Removing the safety shield

AT10.1 Style-5017 and Style-5018 enclosures feature an acrylic safety shield as a second protective barrier between the user and the internal components. Some repair procedures requires removal of the shield to that covers the internal components mounted inside the enclosure.

Open the AT10.1 front panel door. Detach the shield by removing the side fasteners from the front lip of the enclosure. Do not lay the shield on top of the AT10.1. The top vents are required for cooling. Always re-install the acrylic safety shield before restarting the AT10.1.

CAUTION

Hazardous ac and dc voltages are present inside the AT10.1, on the I/O panel (TB1) terminals and certain internal components.

Replacing the Electrolytic Filter Capacitors (C1 and/or C2)

The manufacturer of AT10.1 Series microprocessor-controlled float battery chargers recommends the optional electrolytic filter capacitors (C1/C2) be replaced every ten (10) years, **regardless** of component health. This is not considered a repair, but a planned service. However, if one (1) or more of the filter caps fail before this timeframe, replacement procedure is the same.

- Filter Capacitor (C1/C2) Replacement - see Instructions ([JD0084-10](#))

Replacing the Main Control (A1) and/or Gate Driver (A11) PC Boards

- Main Ctrl PCB (A1) Replacement - see Instruction ([JD5012-00](#))
- Gate Driver PCB (A11) Replacement - see Instruction ([JD5012-11](#))

NOTICE *Printed circuit boards are sensitive to damage from static discharges. Leave replacement pc boards in their anti-static bags until you are ready to install them. Ground yourself before handling the board, by touching the ground stud on the back of the door. Always handle printed circuit boards by their edges.*

Shut down and lock out all power to the AT10.1. Disconnect the battery from the dc output (TB1+/-). Open the front panel door, and remove any user wiring to the various pcb terminals (e.g. A1-TB3, -TB8/J6, -J3, etc.). Note that A1 and A11 are mounted together as a pair. Remove the signal wire harness plug (J18) at the left edge of A11. The boards are mounted on ten (10) plastic standoffs. Compress the tab on each standoff, and pull the boards toward you until they clear all the standoffs. If you are replacing only one (1) of the boards, carefully separate the existing boards (A1 & A11), and reconnect the replacement board.

Mount replacement boards onto the back of the door panel with the same orientation. Push both boards into place, and confirm they are fully seated on all ten (10) standoffs. Reconnect harness plug (J18) to the left side of Gate Driver PC Board (A11).

Replace user wiring to the various Main Control PC Board (A1) terminals (e.g. TB3, TB8/J6, J3, etc.). Restart the AT10.1 per Section 2.1.

NOTICE *Replacement Main Control Boards **MUST** be recalibrated.*

See Section 2.3.7 for adjusting the dc voltmeter accuracy. If the installation's parameters (Float voltage, etc.) are different from the AT10.1 factory preset values, these values should re-entered per Section 2.3.

Replacing the ac input or dc output circuit breaker (CB1/CB2)

Shut down and lock out all power to the AT10.1. Open the AT10.1 front panel door and remove the acrylic safety shield. Disconnect the battery from the dc output terminals (TB1+/-). Disconnect the upstream power source from the ac input terminals (TB1-L1/L2).

Check with a voltmeter before proceeding. Remove the mounting screws for the circuit breaker on the galvanized mounting bracket. Carefully remove the *still-wired* circuit breaker from the AT10.1.

Remove wires from the terminals, one at a time, and transfer the wires to the terminals of the replacement breaker. **Confirm all circuit breaker terminal screws are tight.** Install the replacement breaker into the mounting bracket, reversing the procedure above, using original screws.

SERVICING THE AT10.1

Replacing the ac surge suppressors (VR2, VR4 or VR5)

Shut down and lock out all power to the AT10.1. Remove the acrylic safety shield. Disconnect the battery from the dc output terminals (TB1+/-). Remove or disconnect the upstream ac input power source.

For **VR2**, remove hardware from the left ac input terminal (TB1-L1), and remove the ring-lugged lead of the existing ac surge suppressor. Install one lead of the replacement surge suppressor onto TB1-L1. Replace wires and mounting hardware. Repeat procedure for the right ac input terminal (TB1-L2). Tighten all hardware.

For **VR4**, remove hardware from the left ac input terminal (TB1-L1), and remove the ring-lugged lead of the existing ac surge suppressor. Install one lead of the replacement surge suppressor onto TB1-L1. Replace wires and mounting hardware. Repeat procedure for the *left* ZPS ground stud terminal (TB1-GND). Tighten all hardware.

For **VR5**, refer to the procedure listed above. Remove and replace the right surge suppressor connected to ac terminal (TB1-L2) and ground.

NOTICE *The ac surge suppressors are not polarized.*

Replacing the dc surge suppressor (VR1)

Shut down and lock out all power to the AT10.1. Remove the acrylic shield. Disconnect the battery from the dc output terminals (TB1+/-).

Remove hardware from the right dc output terminal TB1(+), and remove the lugged lead of the dc surge suppressor. Install one lead of the replacement surge suppressor. Replace wires and hardware. Repeat for the left dc output terminal TB1(-). Tighten all hardware.

NOTICE *The dc surge suppressor is not polarized.*

Replacing the dc EMI filter networks (VR6/C4, VR7/C5)

Replace these networks as assemblies. Do *not* replace individual parts.

Shut down and lock out all power to the AT10.1. Remove the acrylic shield. Disconnect the battery from the dc output terminals (TB1+/-).

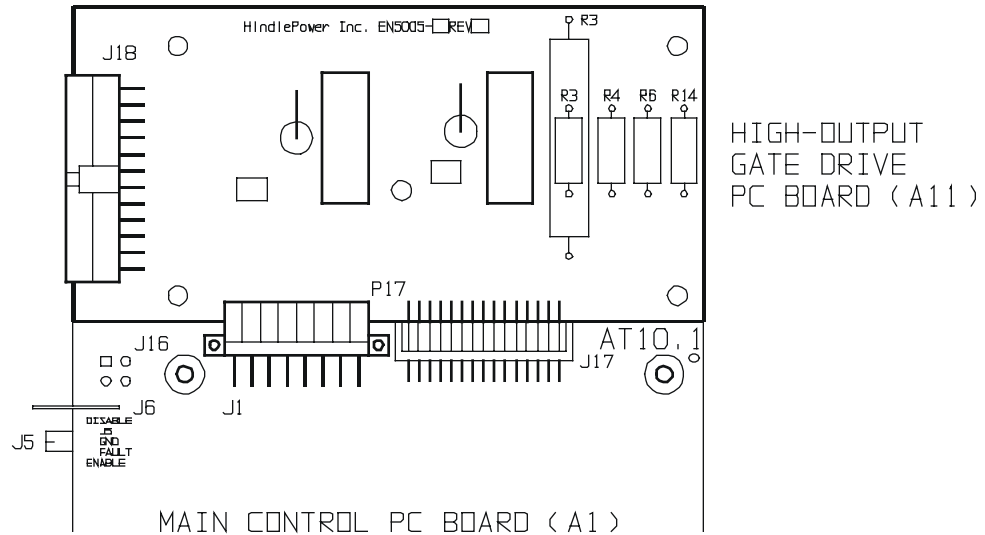
To replace the left network (VR6/C4), remove hardware from the left dc output terminal TB1(-), and remove the lugged lead of the network. Cut the plastic wire tie holding the assembly against the I/O panel. Install one lead of the replacement network. Replace wires and hardware. Repeat for the opposite (bottom) lead of the network connected to the left ground terminal. Tighten hardware and replace cut wire ties to secure network.

For the right network (VR7/C5), refer to the procedure listed above. Start with the lugged lead on the dc output terminal TB1(+), then ground.

NOTICE *The dc EMI filter networks are not polarized.*

Replacing resistors (R3, R4, R6 or R14) on Gate Driver PC Board (A11)

In all AT10.1s rated 30-100 Adc, resistors R4, R6 and R14 are soldered directly onto the Gate Driver PC Board (A11). In 12 Vdc and 24 Vdc AT10.1s rated 30-100 Adc, R3 is also soldered directly onto A11. See detail of the Gate Driver PC Board (A11) below for proper location.



If any of these resistors need to be replaced, we suggest you order a new Gate Driver PC Board (A11). See *Replacing the Main Control PC Board (A1) and/or Gate Driver PC Board (A11)* on page 59.

If any of these resistors *must* be replaced without replacing A11, select the proper part number listed in the table starting on page 62 and order it from the factory or your sales representative.

Remove A11 as described on page 59. Using wire cutters, clip the soldered leads of the old resistor and remove it from A11. Carefully solder on the new resistor, making sure not to damage any other components on A11. Polarity is not vital for these resistors. Once the solder cools, replace A11 as described on page 59.

Replacing the power supply resistor (R3) - 48 and 130 Vdc units only

In 48 Vdc and 130 Vdc AT10.1s rated 30-100 Adc, the power supply ballast resistor (R3) is mounted with two (2) metal brackets onto the back panel of the enclosure, not on the A11 pc board.

Cut wires # **49** and # **55**, connected at R3, as close to the resistor leads as possible. Strip off 0.25in / 6.4mm of insulation from the cut ends of the wires. Unscrew the top mounting bracket and remove the existing resistor. Mount the replacement R3 resistor and attach the top mounting bracket. Polarity is not vital. Carefully re-solder the cut wires to R3.

For further information, refer to *Service Instruction* ([JD5010-00](#)).

SERVICING THE AT10.1

3.6. ORDERING REPLACEMENT PARTS

All AT10.1 Series battery chargers ship with a supplemental **Parts Data Package** report, itemizing all components within the unit. Contact your sales representative to place an order for spare or replacement parts.

Please provide the following information for each component:

- Model number and serial number of your AT10.1 Series battery charger
- Reference Designator, factory part number and description
- Quantity required

NOTICE

*Some of the factory part numbers listed on the **Parts Data Package** report may differ from the standard replacement part numbers listed in this manual. Custom parts may have replaced standard parts to satisfy your specification. In that case, you should order the part number(s) listed on the report.*

*The following table may specify part replacement **kits** that include other materials, such as installation instructions and packaging materials. You may order spare parts using either the report part number or listed kit. The factory may make necessary adjustments to your order to ensure proper delivery of a complete kit.*

Refer to the table below for the most common items.

Table 3-1: REPLACEMENT PARTS

Reference Designator	Description	Factory Part Number				Rec. Spare
		12 Vdc	24 Vdc	48 Vdc	130 Vdc	
A1	Main Control PC Board	EN5002-00.				Y
A5	Auxiliary Alarm Relay PC Board	EN0027-00.				Y
A7	DC Output Filter assembly	see Table 3-2				
A8	Battery Eliminator Filter assembly (requires filtered AT10.1)	see Table 3-3				
A10	Temperature Compensation Probe assembly	see Appendix B, Table 2				
A11	Gate Driver PC Board	EN5005-01	EN5005-02	EN5005-03	EN5005-04	Y
C1	Filter Capacitor (standard)	RP5001-20	RP5001-20	RP5001-20	RP5001-40	Y
C2	Filter Capacitor (battery eliminator)	RP5001-20	RP5001-20	RP5001-20	RP5001-40	Y
C4	EMI Filter Capacitor	see VR6/C4				
C5	EMI Filter Capacitor	see VR7/C5				
CB1	AC Circuit Breaker (standard) 120 Vac	see Table 3-4				
CB1	AC Circuit Breaker (medium AIC) 120 Vac	see Table 3-7				
CB1	AC Circuit Breaker (high AIC) 120 Vac	see Table 3-10				
CB1	AC Circuit Breaker (standard) 208/240 Vac	see Table 3-5				
CB1	AC Circuit Breaker (medium AIC) 208/240 Vac	see Table 3-8				
CB1	AC Circuit Breaker (high AIC) 208/240 Vac	see Table 3-11				
CB1	AC Circuit Breaker (standard) 480 Vac	see Table 3-6				
CB1	AC Circuit Breaker (medium AIC) 480 Vac	see Table 3-9				
CB1	AC Circuit Breaker (high AIC) 480 Vac	see Table 3-12				
CB2	DC Circuit Breaker (standard)	see Table 3-16				
CB2	DC Circuit Breaker (medium AIC)	see Table 3-17				
CB2	DC Circuit Breaker (high AIC)	see Table 3-18				

SERVICING THE AT10.1

Reference Designator	Description	Factory Part Number				Rec. Spare
		12 Vdc	24 Vdc	48 Vdc	130 Vdc	
CR1	Polarity Diode (30-75 Adc ratings)	EJ5106-01.				Y
CR1	Polarity Diode (100 Adc rating)	RK0017-14				Y
CR4	Free-Wheeling Diode (30-75 Adc ratings)	EJ5108-01.				Y
CR4	Free-Wheeling Diode (100 Adc rating)	RK0017-14				Y
F1x	AC Input Fuses (optional)	see Tables 3-13, 3-14, 3-15				Y
F3/F4	DC Output Fuses (optional)	see Table 3-19				Y
L1	Main Inductor	see Table 3-20				
L2	Filter Inductor	see Table 3-21				
P5	Jumper for disabling Ground Detection circuit	RC0100-00				
P7	Jumper for voltage selection on A5 pc board	RC0100-00				
P9	Jumper for front panel lockout feature on A1	RC0100-00				
Q1/Q2	Rectifier Module (30 Adc & 40 Adc ratings)	RM0001-00				Y
Q1/Q2	Rectifier Module (50 Adc ratings)	RM0001-01				Y
Q1/Q2	Rectifier Module (75 Adc & 100 Adc ratings)	RM0004-00				Y
R1	Main DC Shunt	RB0008-03				
R2	Current Rating Resistor	see Table 3-22				
R3	Power Supply (Ballast) Resistor	RJ0007-26 12 Ω 2W	RJ0035-25 68 Ω 11W	EJ1127-12 150 Ω 50W	EJ1127-13 500 Ω 100W	
R4	Positive External Scaling Resistor	RJ0056-48 3160 Ω	RJ0056-81 6980 Ω	RJ0075-14 14.0 kΩ	RJ0075-56 38.3 kΩ	
R6	Voltage (Crowbar) Resistor	RJ0063-76	RJ0064-11	RJ0064-41	RJ0064-80	
R9	Filter Capacitor (C1) Bleed Resistor	RJ0028-25	RJ0028-25	RJ0028-27	RJ0036-40	
R14	Negative External Scaling Resistor	RJ0074-48 3160 Ω	RJ0074-81 6980 Ω	RJ0075-14 14.0 kΩ	RJ0075-56 38.3 kΩ	
T1	Main Transformer (120/208/240 Vac)	see Table 3-23				
T1	Main Transformer (480 Vac)	see Table 3-24				
TB1-x	Style-5017/5018 input/output/ground terminal CU-AL compression lug for #14 - 1/0 AWG	RC0056-18				
VR1	Output Surge Suppressor	EJ1132-11				Y
VR2	Input Surge Suppressor (120/208/240 Vac)	EJ1132-11				Y
VR2	Input Surge Suppressor (480 Vac)	EJ1132-12				Y
VR3	AC Input Lightning Arrestor	EJ1074-01				
VR4/5	Input Surge Suppressor (120 Vac)	EJ1132-10				Y
VR4/5	Input Surge Suppressor (208/240 Vac)	EJ1132-11				Y
VR4/5	Input Surge Suppressor (480 Vac)	EJ1132-12				Y
VR6+C4	DC EMI Filter Network	EJ5021-03				Y
VR7+C5	DC EMI Filter Network	EJ5021-03				Y

Note 1: In older 130 Vdc units, the 500 Ω 50W power supply resistor (R3) mounted to the galvanized base may be comprised of an assembly of two (2) 250 Ω resistors connected in series.

NOTICE Listed part numbers subject to change. Refer to unit-specific Parts Data Package report.

SERVICING THE AT10.1

Table 3-2: DC FILTER ASSEMBLIES - STANDARD (L2/C1/R9/CR1)

Current Rating	12 Vdc	24 Vdc	48 Vdc	130 Vdc
30 Adc	EJ5031-00	EJ5031-05	EJ5031-10	EJ5031-15
40 Adc	EJ5031-01	EJ5031-06	EJ5031-11	EJ5031-16
50 Adc	EJ5031-02	EJ5031-07	EJ5031-12	EJ5031-17
75 Adc	EJ5031-03	EJ5031-08	EJ5031-13	EJ5031-18
100 Adc	EJ5031-04	EJ5031-09	EJ5031-14	n/a

Table 3-3: DC FILTER ASSEMBLIES - ELIMINATOR (C2) - REQUIRES STANDARD FILTER

Current Rating	12 Vdc	24 Vdc	48 Vdc	130 Vdc
30 Adc	EJ5031-20	EJ5031-25	EJ5031-30	EJ5031-35
40 Adc	EJ5031-21	EJ5031-26	EJ5031-31	EJ5031-36
50 Adc	EJ5031-22	EJ5031-27	EJ5031-32	EJ5031-37
75 Adc	EJ5031-23	EJ5031-28	EJ5031-33	EJ5031-38
100 Adc	EJ5031-24	EJ5031-29	EJ5031-34	n/a

Table 3-4: STANDARD AC CIRCUIT BREAKERS (CB1) - 120 Vac

Current Rating	12 Vdc	24 Vdc	48 Vdc	130 Vdc
30 Adc	RE0015-04	RE0015-06	RE0015-09	RE0015-15
40 Adc	RE0015-05	RE0015-07	RE0015-10	RE0015-19
50 Adc	RE0015-05	RE0015-09	RE0015-12	RE0217-02
75 Adc	RE0015-07	RE0015-10	RE0015-15	RE0217-04
100 Adc	RE0015-09	RE0015-15	RE0015-19	n/a

Table 3-5: STANDARD AC CIRCUIT BREAKERS (CB1) - 208/240 Vac

Current Rating	12 Vdc	24 Vdc	48 Vdc	130 Vdc
30 Adc	RE0015-04	RE0015-04	RE0015-06	RE0015-10
40 Adc	RE0015-04	RE0015-05	RE0015-07	RE0015-15
50 Adc	RE0015-04	RE0015-06	RE0015-09	RE0015-15
75 Adc	RE0015-05	RE0015-07	RE0015-12	RE0015-19
100 Adc	RE0015-06	RE0015-09	RE0015-15	n/a

SERVICING THE AT10.1

Table 3-6: STANDARD AC CIRCUIT BREAKERS (CB1) - 480 Vac

Current Rating	12 Vdc	24 Vdc	48 Vdc	130 Vdc
30 Adc	RE0015-03	RE0015-03	RE0015-04	RE0015-06
40 Adc	RE0015-03	RE0015-04	RE0015-04	RE0015-07
50 Adc	RE0015-03	RE0015-04	RE0015-05	RE0015-09
75 Adc	RE0015-04	RE0015-04	RE0015-06	RE0015-12
100 Adc	RE0015-04	RE0015-05	RE0015-07	n/a

Table 3-7: MEDIUM AMPERE INTERRUPTING CAPACITY AC CIRCUIT BREAKERS (CB1) - 120 Vac

Current Rating	12 Vdc	24 Vdc	48 Vdc	130 Vdc
30 Adc	RE0171-00	RE0171-01	RE0171-04	RE0171-09
40 Adc	RE0171-00	RE0171-02	RE0171-05	RE0171-12
50 Adc	RE0171-00	RE0171-04	RE0171-07	RE0217-02
75 Adc	RE0171-02	RE0171-05	RE0171-09	RE0217-04
100 Adc	RE0171-04	RE0171-09	RE0171-12	n/a

Table 3-8: MEDIUM AMPERE INTERRUPTING CAPACITY AC BREAKERS (CB1) - 208/240 Vac

Current Rating	12 Vdc	24 Vdc	48 Vdc	130 Vdc
30 Adc	RE0171-00	RE0171-00	RE0171-01	RE0171-05
40 Adc	RE0171-00	RE0171-00	RE0171-02	RE0171-09
50 Adc	RE0171-00	RE0171-01	RE0171-04	RE0171-09
75 Adc	RE0171-00	RE0171-02	RE0171-07	RE0171-12
100 Adc	RE0171-01	RE0171-04	RE0171-09	n/a

Table 3-9: MEDIUM AMPERE INTERRUPTING CAPACITY AC CIRCUIT BREAKERS (CB1) - 480 Vac

Current Rating	12 Vdc	24 Vdc	48 Vdc	130 Vdc
30 Adc	RE0043-00	RE0043-00	RE0043-00	RE0043-01
40 Adc	RE0043-00	RE0043-00	RE0043-00	RE0043-02
50 Adc	RE0043-00	RE0043-00	RE0043-00	RE0043-04
75 Adc	RE0043-00	RE0043-00	RE0043-01	RE0043-07
100 Adc	RE0043-00	RE0043-00	RE0043-02	n/a

NOTICE Listed part numbers subject to change. Refer to unit-specific Parts Data Package report.

SERVICING THE AT10.1

Table 3-10: HIGH AMPERE INTERRUPTING CAPACITY AC CIRCUIT BREAKERS (CB1) - 120 Vac

Current Rating	12 Vdc	24 Vdc	48 Vdc	130 Vdc
30 A dc	RE0043-00	RE0043-01	RE0043-04	RE0043-09
40 A dc	RE0043-00	RE0043-02	RE0043-05	RE0043-12
50 A dc	RE0043-00	RE0043-04	RE0043-07	RE0219-02
75 A dc	RE0043-02	RE0043-05	RE0043-09	RE0219-04
100 A dc	RE0043-04	RE0043-09	RE0043-12	n/a

Table 3-11: HIGH AMPERE INTERRUPTING CAPACITY AC CIRCUIT BREAKERS (CB1) - 208/240 Vac

Current Rating	12 Vdc	24 Vdc	48 Vdc	130 Vdc
30 A dc	RE0043-00	RE0043-00	RE0043-01	RE0043-05
40 A dc	RE0043-00	RE0043-00	RE0043-02	RE0043-09
50 A dc	RE0043-00	RE0043-01	RE0043-04	RE0219-09
75 A dc	RE0043-00	RE0043-02	RE0043-07	RE0219-12
100 A dc	RE0043-01	RE0043-04	RE0043-09	n/a

Table 3-12: HIGH AMPERE INTERRUPTING CAPACITY AC CIRCUIT BREAKERS (CB1) - 480 Vac

Current Rating	12 Vdc	24 Vdc	48 Vdc	130 Vdc
30 A dc	RE0152-09	RE0152-09	RE0152-09	RE0152-00
40 A dc	RE0152-09	RE0152-09	RE0152-09	RE0152-10
50 A dc	RE0152-09	RE0152-09	RE0152-09	RE0152-11
75 A dc	RE0152-09	RE0152-09	RE0152-00	RE0152-03
100 A dc	RE0152-09	RE0152-09	RE0152-10	n/a

Table 3-13: AC INPUT FUSES (F1A/F1B) - 120 Vac

Current Rating	12 Vdc	24 Vdc	48 Vdc	130 Vdc
30 A dc	RE0061-09	RE0061-12	RE0061-14	RE0061-21
40 A dc	RE0061-11	RE0061-13	RE0061-16	RE0061-23
50 A dc	RE0061-11	RE0061-14	RE0061-18	RE0061-26
75 A dc	RE0061-13	RE0061-16	RE0061-21	RE0061-28
100 A dc	RE0061-14	RE0061-21	RE0061-23	n/a

SERVICING THE AT10.1

Table 3-14: AC INPUT FUSES (F1A/F1B) - 208/240 Vac

Current Rating	12 Vdc	24 Vdc	48 Vdc	130 Vdc
30 Adc	RE0061-08	RE0061-09	RE0061-12	RE0061-16
40 Adc	RE0061-08	RE0061-11	RE0061-13	RE0061-21
50 Adc	RE0061-09	RE0061-12	RE0061-14	RE0061-21
75 Adc	RE0061-11	RE0061-13	RE0061-18	RE0061-23
100 Adc	RE0061-12	RE0061-15	RE0061-21	n/a

Table 3-15: AC INPUT FUSES (F1A/F1B) - 480 Vac

Current Rating	12 Vdc	24 Vdc	48 Vdc	130 Vdc
30 Adc	RE0008-06	RE0008-06	RE0008-08	RE0008-12
40 Adc	RE0008-06	RE0008-08	RE0008-09	RE0008-13
50 Adc	RE0008-06	RE0008-08	RE0008-11	RE0008-14
75 Adc	RE0008-08	RE0008-09	RE0008-12	RE0008-18
100 Adc	RE0008-08	RE0008-11	RE0008-13	n/a

Table 3-16: STANDARD DC CIRCUIT BREAKERS (CB2)

Current Rating	12 Vdc	24 Vdc	48 Vdc	130 Vdc
30 Adc	RE0015-30	RE0015-30	RE0015-30	RE0015-30
40 Adc	RE0015-31	RE0015-31	RE0015-31	RE0015-31
50 Adc	RE0015-34	RE0015-34	RE0015-34	RE0015-34
75 Adc	RE0015-36	RE0015-36	RE0015-36	RE0015-36
100 Adc	RE0217-03	RE0217-03	RE0217-03	n/a

Table 3-17: MEDIUM AMPERE INTERRUPTING CAPACITY DC CIRCUIT BREAKERS (CB2)

Current Rating	12 Vdc	24 Vdc	48 Vdc	130 Vdc
30 Adc	RE0170-07	RE0170-07	RE0170-07	RE0170-07
40 Adc	RE0170-08	RE0170-08	RE0170-08	RE0170-08
50 Adc	RE0170-10	RE0170-10	RE0170-10	RE0170-10
75 Adc	RE0170-12	RE0170-12	RE0170-12	RE0170-12
100 Adc	RE0217-03	RE0217-03	RE0217-03	n/a

NOTICE Listed part numbers subject to change. Refer to unit-specific Parts Data Package report.

SERVICING THE AT10.1

Table 3-18: HIGH AMPERE INTERRUPTING CAPACITY DC CIRCUIT BREAKERS (CB2)

Current Rating	12 Vdc	24 Vdc	48 Vdc	130 Vdc
30 Adc	RE0043-07	RE0043-07	RE0043-07	RE0043-07
40 Adc	RE0043-08	RE0043-08	RE0043-08	RE0043-08
50 Adc	RE0043-10	RE0043-10	RE0043-10	RE0043-10
75 Adc	RE0043-12	RE0043-12	RE0043-12	RE0043-12
100 Adc	RE0188-06	RE0188-06	RE0188-06	n/a

Table 3-19: DC OUTPUT FUSES (F3/F4)

Current Rating	12 Vdc	24 Vdc	48 Vdc	130 Vdc
30 Adc	RE0061-18	RE0061-18	RE0061-18	RE0061-18
40 Adc	RE0061-19	RE0061-19	RE0061-19	RE0061-19
50 Adc	RE0061-21	RE0061-21	RE0061-21	RE0061-21
75 Adc	RE0061-23	RE0061-23	RE0061-23	RE0061-23
100 Adc	RE0061-26	RE0061-26	RE0061-26	n/a

Table 3-20: MAIN INDUCTOR (L1)

Current Rating	12 Vdc	24 Vdc	48 Vdc	130 Vdc
30 Adc	AP0604-10	AP0604-10	AP0604-10	AP0604-10
40 Adc	AP0604-10	AP0604-10	AP0604-10	AP0482-10
50 Adc	AP0481-10	AP0481-10	AP0481-10	AP0482-10
75 Adc	AP0314-10	AP0808-10	AP0833-10	AP5001-00
100 Adc	AP0339-10	AP0339-10	AP0827-10	n/a

Table 3-21: FILTER INDUCTOR (L2)

Current Rating	12 Vdc	24 Vdc	48 Vdc	130 Vdc
30 Adc	AP0604-10	AP0604-10	AP0604-10	AP0604-10
40 Adc	AP0604-10	AP0604-10	AP0604-10	AP0604-10
50 Adc	AP0481-10	AP0481-10	AP0481-10	AP0482-10
75 Adc	AP0314-10	AP0314-10	AP0833-10	AP0377-10
100 Adc	AP0339-10	AP0339-10	AP0339-10	n/a

SERVICING THE AT10.1

Table 3-22: RATING RESISTOR (R2)

Current Rating	12 Vdc	24 Vdc	48 Vdc	130 Vdc
30 Adc	EJ1133-00 34.8 kΩ	EJ1133-05 13.0 kΩ	EJ1133-10 5.11 kΩ	EJ1133-15 1.50 kΩ
40 Adc	EJ1133-01 40.2 kΩ	EJ1133-06 15.4 kΩ	EJ1133-11 6.19 kΩ	EJ1133-16 2.21 kΩ
50 Adc	EJ1133-02 53.6 kΩ	EJ1133-07 19.6 kΩ	EJ1133-12 7.50 kΩ	EJ1133-17 2.74 kΩ
75 Adc	EJ1133-03 78.7 kΩ	EJ1133-08 23.7 kΩ	EJ1133-13 9.09 kΩ	EJ1133-18 3.57 kΩ
100 Adc	EJ1133-04 118 kΩ	EJ1133-09 29.4 kΩ	EJ1133-14 11.0 kΩ	n/a

Connector terminal extraction tool: RC0124-71 (*Molex p/n: 11-03-0044*)

Table 3-23: MAIN TRANSFORMER (T1) - 120/208/240 Vac

Current Rating	12 Vdc	24 Vdc	48 Vdc	130 Vdc
30 Adc	AB1545-10	AB1569-10	AB1613-10	AB1589-10
40 Adc	AB1561-10	AB1541-10	AB1597-10	AB1601-10
50 Adc	AB1561-10	AB1541-10	AB1597-10	AB1601-10
75 Adc	AB1520-10	AB1720-10	AB1553-10	AB1641-10
100 Adc	AB1565-10	AB1633-10	AB1549-10	n/a

Table 3-24: MAIN TRANSFORMER (T1) - 480 Vac

Current Rating	12 Vdc	24 Vdc	48 Vdc	130 Vdc
30 Adc	AB1546-10	AB1570-10	AB1614-10	AB1590-10
40 Adc	AB1562-00	AB1542-10	AB1598-10	AB1602-10
50 Adc	AB1562-10	AB1542-10	AB1598-10	AB1602-10
75 Adc	AB1249-10	AB1257-10	AB1554-10	AB1642-10
100 Adc	AB1566-10	AB1516-10	AB1550-10	n/a

NOTICE Listed part numbers subject to change. Refer to unit-specific Parts Data Package report.

APPENDIX A

SPECIFICATIONS



Except as noted, all specifications apply at:
77 °F / 25 °C, nominal ac line voltage & nominal Float voltage

Specification	Conditions	12 Vdc	24 Vdc	48 Vdc	130 Vdc
Output voltage regulation	Vac +10%, -12% 0 to 100% load frequency 60 ± 3 Hz (0 to 122 °F / -18 to 50 °C)	± 0.25% (see product literature for specific data)			
Transient response	20-100% load change, with battery connected	Output voltage change ± 4% maximum Recovery to ± 2.0% in 200 ms Recovery to ± 0.5% in 500 ms			
Efficiency	30 Adc rating, full load, %	61	74	83	90
	75 Adc rating, full load, %	62	75	84	91
Output ripple voltage (per NEMA PE5-1996)	Unfiltered (with battery)	1% rms (typ.)			2% rms
		at battery terminals			
	Filtered (with battery)	30 mV rms (max.)			100 mV
		at battery terminals			
Filtered (without battery)	1% rms (typ.)			2% rms	
Battery Eliminator Filter Option (without battery)	30 mV rms			100 mV	
Current Limit	adjustable	50-110 % of rated output current			
Soft start	0 to 100% load	4 seconds			
Voltage adjustment ranges	Float	11.0-14.5	22.0-29.5	44.0-58.0	110-141
	Equalize	11.7-16.0	23.4-32.0	46.8-61.0	117-149
	High DC Voltage alarm	12-19	24-38	48-76	120-175
	Low DC Voltage alarm	7-14.5	15-29.5	30-58	80-141
Voltmeter range (Vdc)		0 - 21	0 - 42	0 - 75	0 - 195
Ammeter range (Adc)	all ratings	0 - 150			
Digital dc meter accuracy	voltage (V) & current (A)	1%			
Surge withstand capability	test per ANSI C37.90.1-1989	no erroneous outputs			
Reverse current (from battery)	ac input power failure	90 mA maximum			
Audible noise	average for four (4) sides, 5ft / 1.5m from enclosure	less than 65 dBA			
Cooling		natural convection			
Ambient temperature	operating	0 to 122 °F / -18 to 50 °C			
Elevation		3000ft / 1000m without derating			
Relative humidity		0 to 95% non-condensing			
Alarm relay contact rating	120 Vac / 125 Vdc	0.5 A resistive			

For further AT10.1 battery charger specifications, refer to unbranded sales cut sheet.
(<http://www.ATSeries.net/PDFs/JF5006-01.pdf>)

FIELD INSTALLABLE ACCESSORIES AND OPTIONS

All options and accessories listed below are available in kits for field installation. Kits contain all parts and hardware with detailed installation instructions. To order accessories/options, please provide the following information for each kit:

- Model number, enclosure style, and serial number of your AT10.1
- Factory part number and description, from the table below
- Quantity required

Contact your sales representative to place an order for options & accessories.

Description	Kit Part Number
Standard DC Output Filtering (per NEMA PE5-1996)	see table 3-2
Battery Eliminator Filtering (per NEMA PE5-1996)	see table 3-3
Auxiliary Alarm Relay PC Board (A5) option	EI0213-02
Copper Ground Bus with one (1) CU-AL box lug for #14-1/0 AWG	EI0195-01
AC Input Lightning Arrestor (VR3) option	EJ1074-01
Floor-Mounting Kit for Style-5017 Enclosure	EI0192-00
Wall-Mounting Kit for Style-5018 Enclosure	EI5008-00
Relay Rack-Mounting Kit for Style-5017 Enclosure (19in/483mm)	EI0193-01
Relay Rack-Mtg. Kit for Style-5017 Enclosure (23-24in/584-610mm)	EI0193-02
Relay Rack-Mtg. Kit for Style-5018 Enclosure (23-24in/584-610mm)	EI0193-03
NEMA Type-2 Drip Shield for Style-5017 / Style-5018 Enclosure	EI0191-01/02
Cabinet Heater Strips for Style-5017 Enclosure	EJ5041-00
Cabinet Heater Strips for Style-5018 Enclosure	EJ5042-00
Padlock for Style-5017/5018 Enclosure Front Panel Door	EI0215-01
Remote Temperature Compensation Accessory (p/n EJ5033-##)	see table below
DNP3 Level 2 / Modbus Communications Module	see Appendix E
Forced Load Sharing Accessory	EJ5126-##

Remote Temperature Compensation Accessory

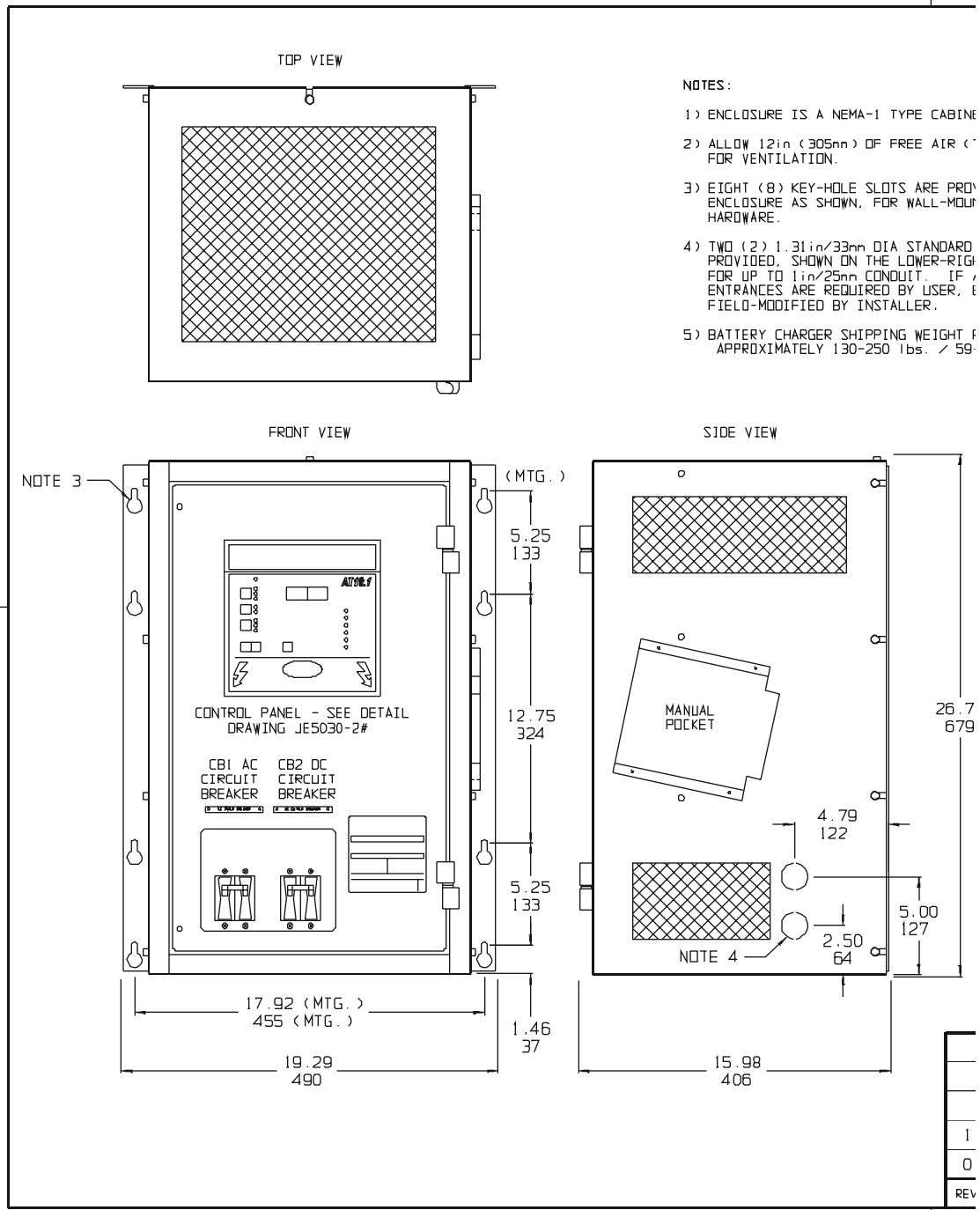
Full Option Part Number (includes cable & probe)	Cable Length	Replacement Cable Part Number
EJ5033-00	25ft / 7.6m	EJ5011-00
EJ5033-01	50ft / 15.2m	EJ5011-01
EJ5033-02	100ft / 30.5m	EJ5011-02
EJ5033-03	200ft / 61.0m	EJ5011-03

The remote battery temperature compensation option is supplied as a bagged kit, consisting of a single probe and user-specified cable. Also supplied are **Installation Instructions** for the option and a special **Application Note**, see Section 1.11.

1. Use a single cable assembly. Do not try to splice cables together to increase the length. If you need a longer cable, order a replacement from the table above.
2. To order a replacement probe (or puck), request ordering p/n EJ5032-00. This probe (A10) is good for all AT10.1 dc output voltages, and all battery types.

APPENDIX C

Outline: AT10.1 Group II Battery Charger NEMA-1 Style-5017 Enclosure (JE5025-00)

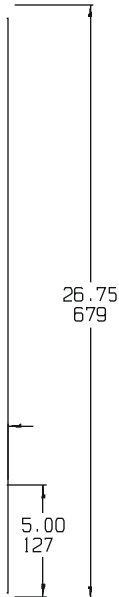
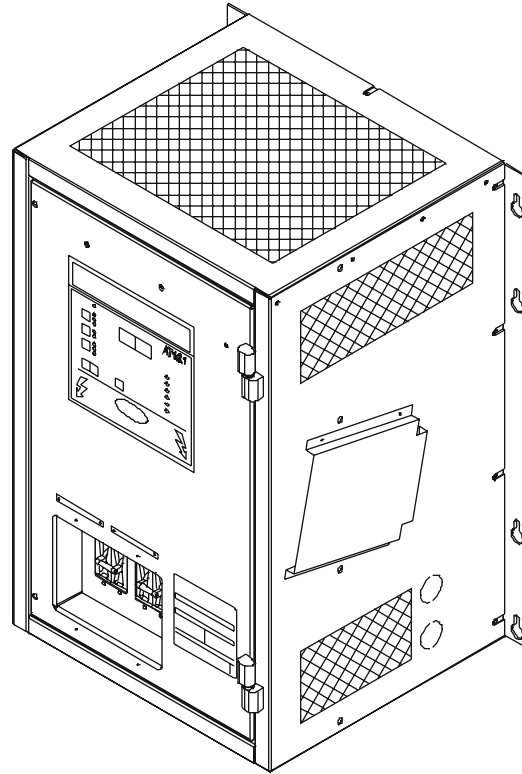


TYPE CABINET WITHOUT GASKETS.
 FREE AIR (TOP AND FRONT OF CABINET)

ITS ARE PROVIDED ON THE BACK OF
 FOR WALL-MOUNTING WITH .25in (6.25mm)

STANDARD PRE-FAB KNOCKOUTS ARE
 LOWER-RIGHT SIDE OF ENCLOSURE
 KNOCKOUT. IF ADDITIONAL CONDUIT
 BY USER, ENCLOSURE SHOULD BE
 SMALLER.

WEIGHT RANGE:
 115 lbs. / 59-113 kg.



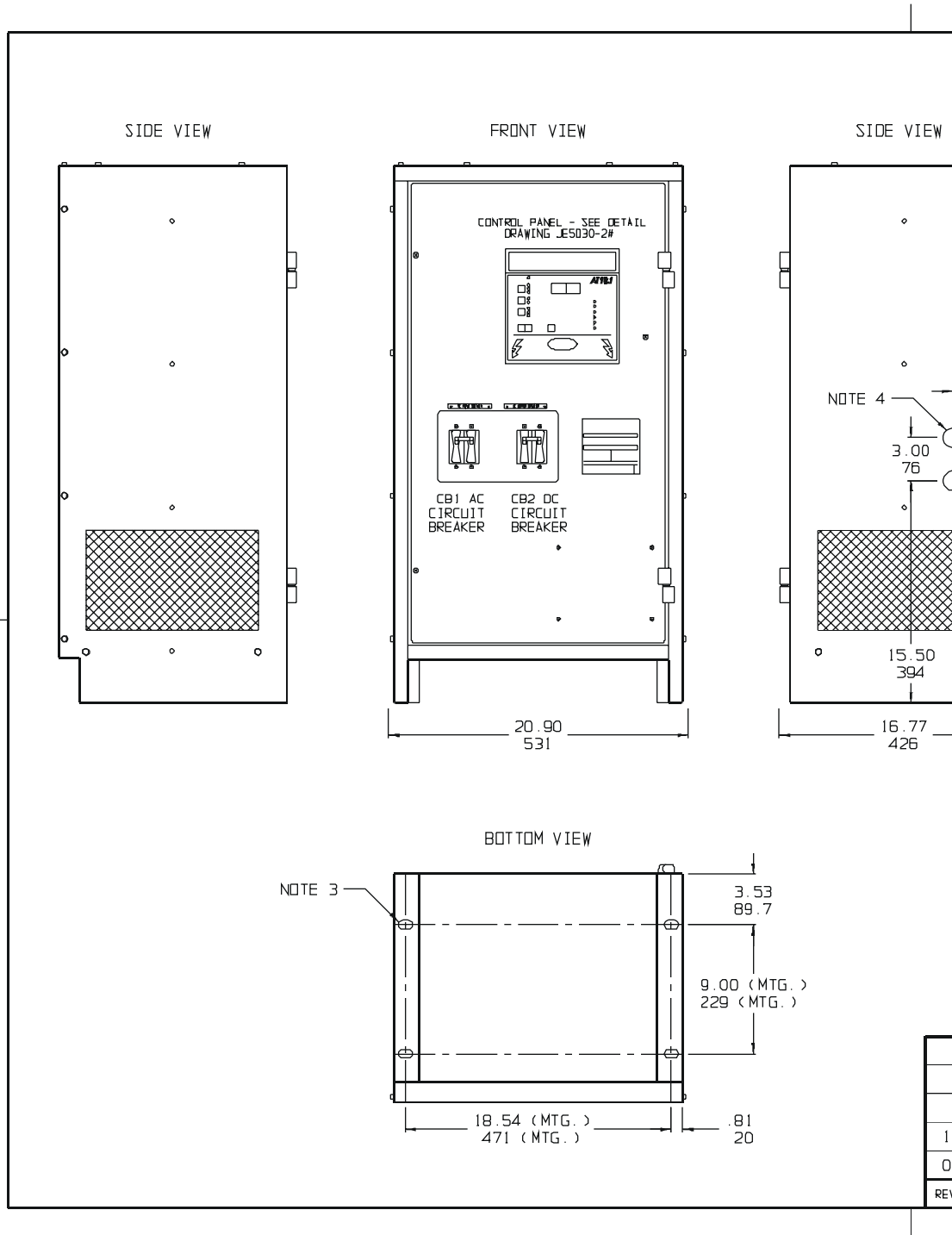
DUAL DIMENSIONS in mm

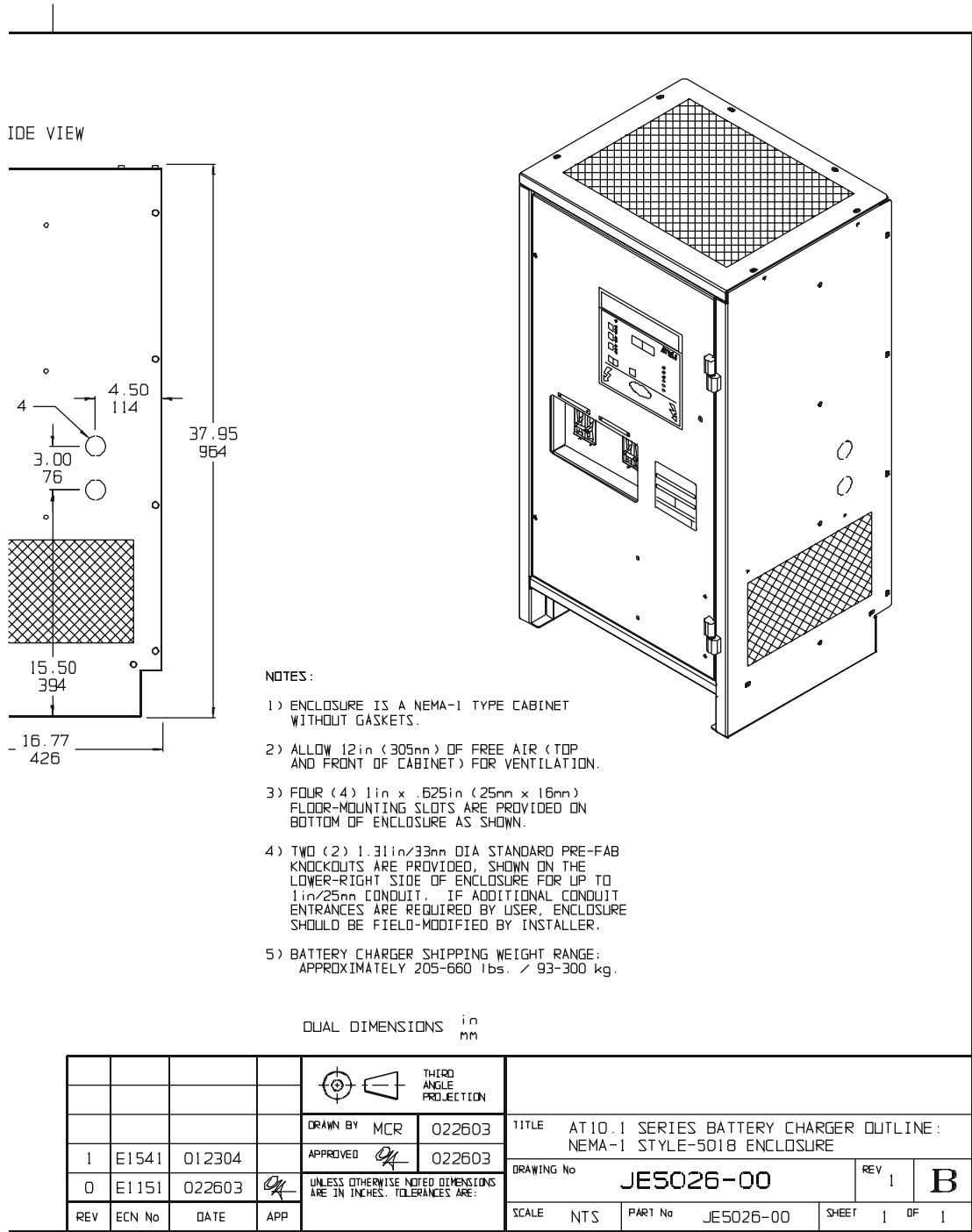
					THIRD ANGLE PROJECTION					
				DRAWN BY	MCR	022603	TITLE AT10.1 SERIES BATTERY CHARGER OUTLINE: NEMA-1 STYLE-5017 ENCLOSURE			
				APPROVED		022603	DRAWING No JE5025-00 REV 1 B			
				UNLESS OTHERWISE NOTED DIMENSIONS ARE IN INCHES. TOLERANCES ARE:			SCALE	NTS	PART No JE5025-00	SHEET 1 OF 1
REV	ECN No	DATE	APP							

<http://www.ATSeries.net/PDFs/JE5025-00.pdf>

APPENDIX C

Outline: AT10.1 Group II Battery Charger
NEMA-1 Style-5018 Enclosure (JE5026-00)

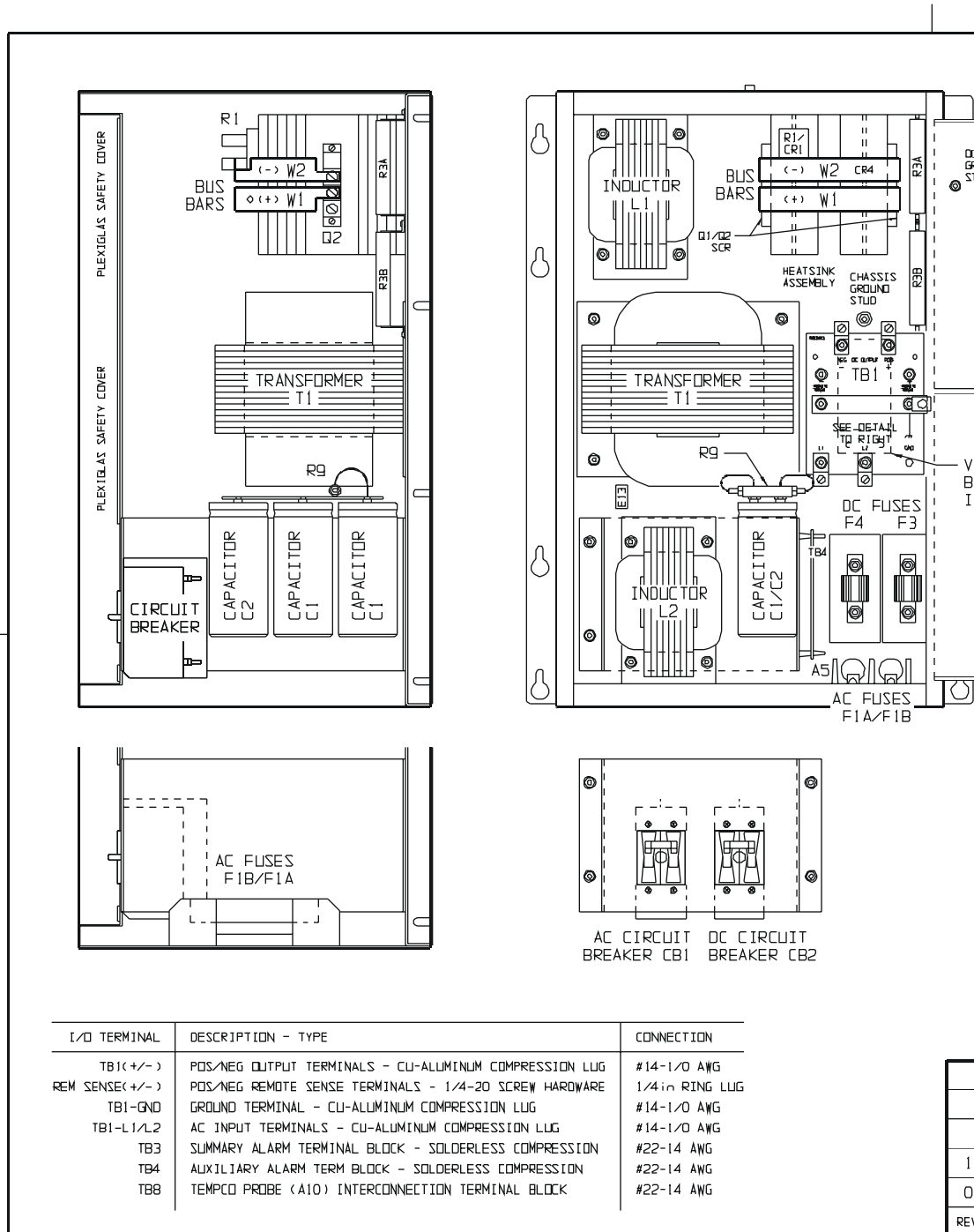




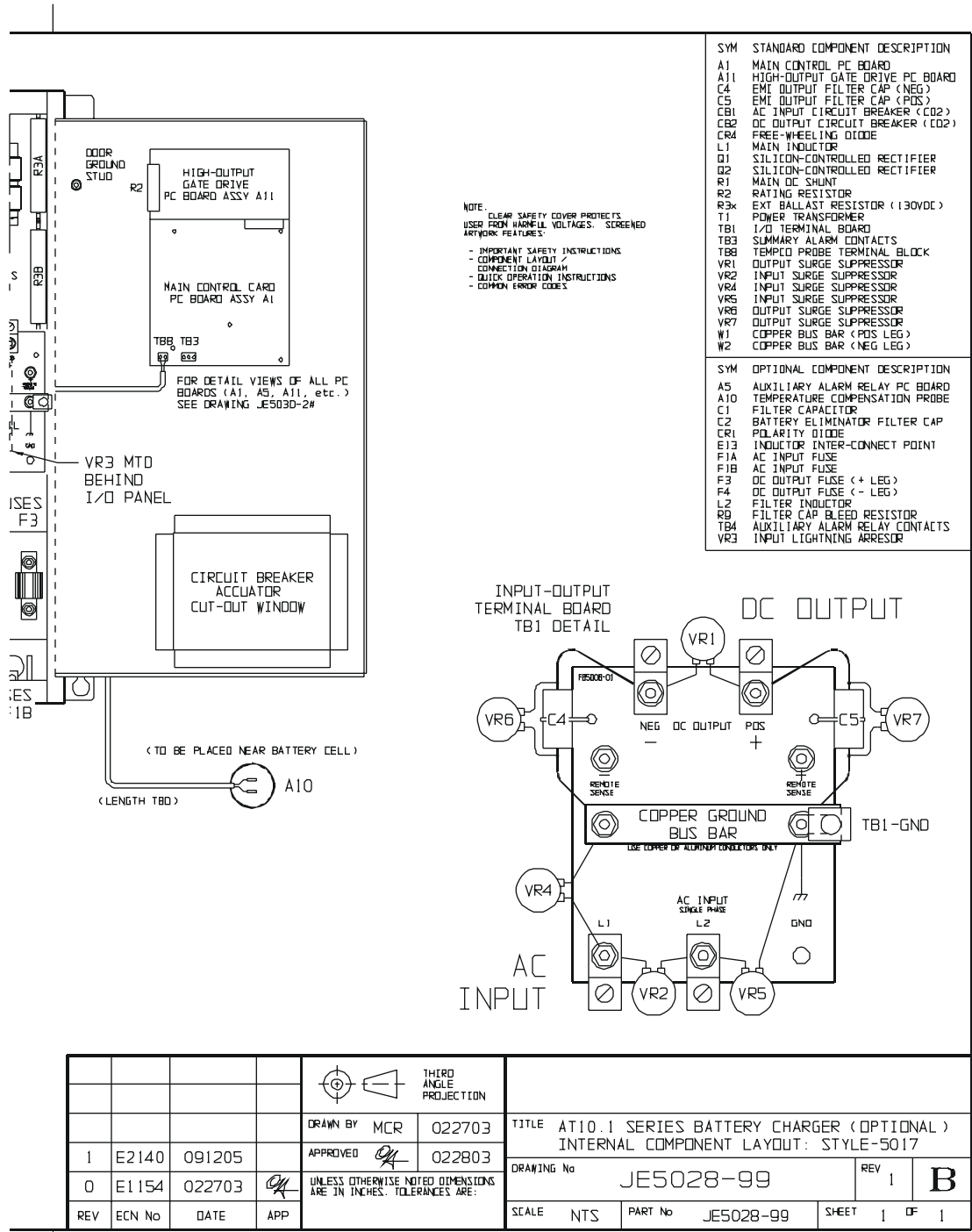
<http://www.ATSeries.net/PDFs/JE5026-00.pdf>

APPENDIX C

Internal Component Layout: AT10.1 Group II Battery Charger Style-5017 Enclosure w/Common Options (JE5028-99)



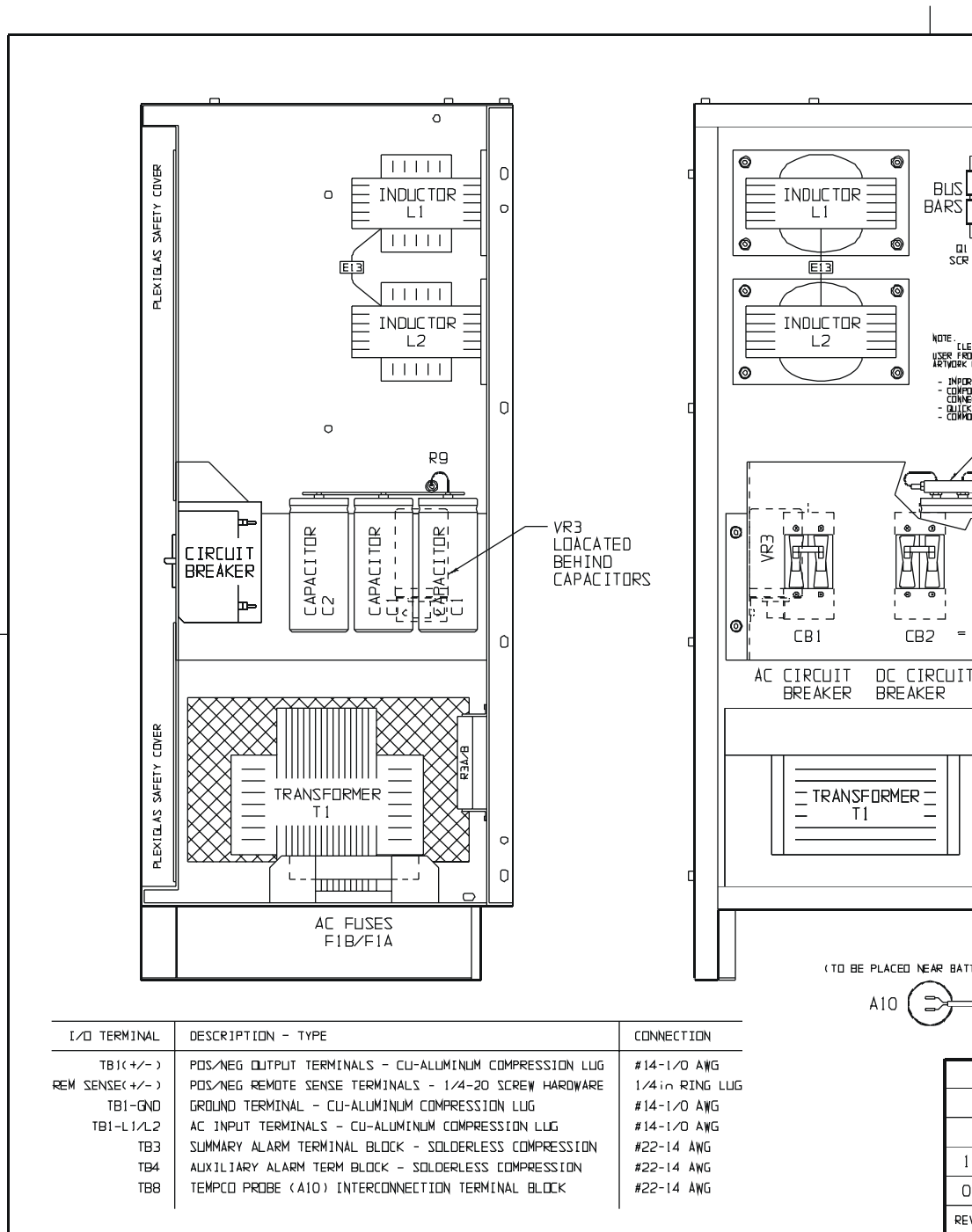
NOTICE This internal component layout drawing (JE5028-99) depicts an AT10.1 Series battery charger housed in a Style-5017 enclosure, with ALL available options. Standard components (A1 through VR7) are supplied in all such units. Optional components (A5 through VR3) are supplied only in those AT10.1s configured with such options.



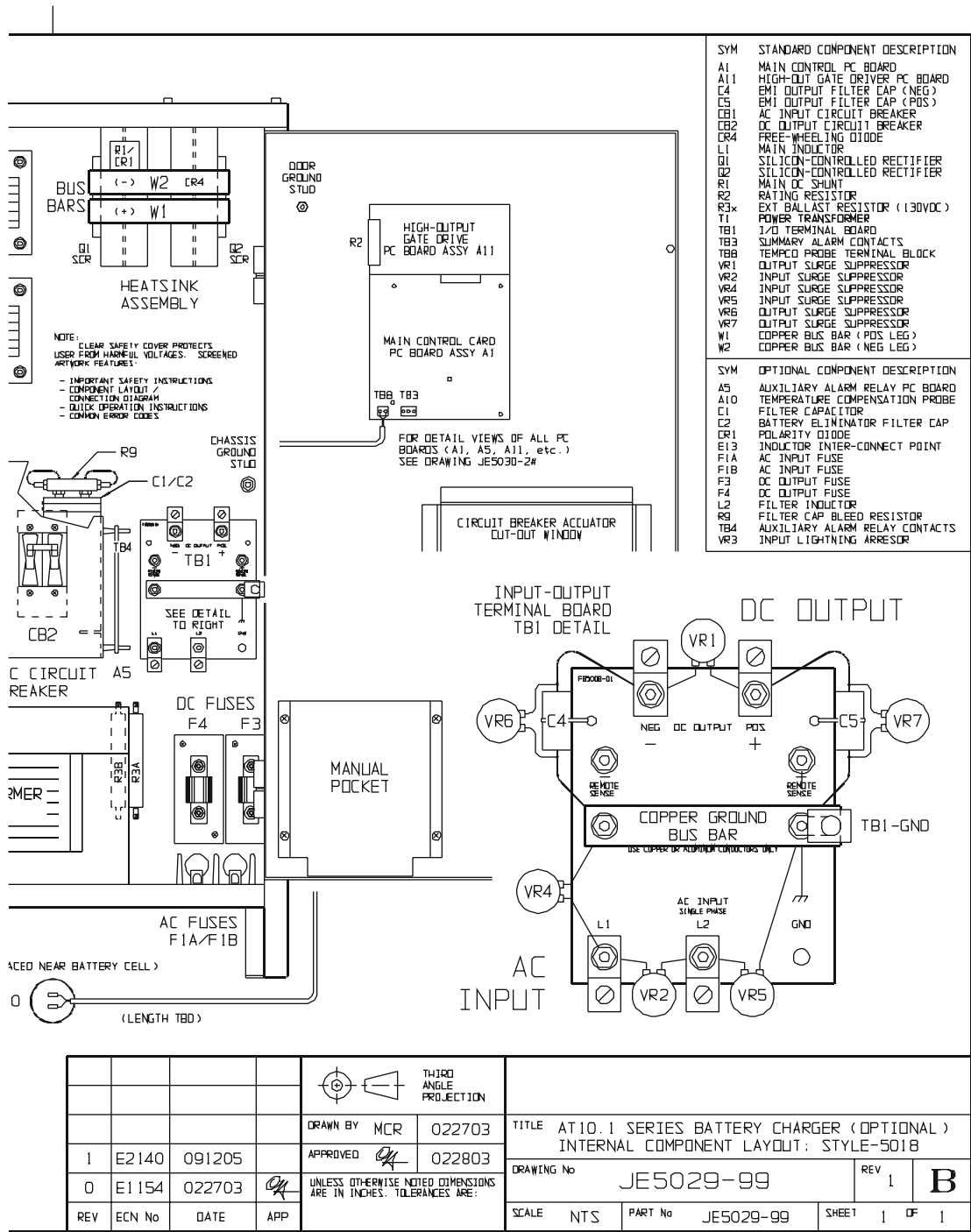
REV	ECN No	DATE	APP	THIRD ANGLE PROJECTION	TITLE	DRAWING No	REV	SCALE	NTS	PART No	SHEET	OF
					AT10.1 SERIES BATTERY CHARGER (OPTIONAL) INTERNAL COMPONENT LAYOUT: STYLE-5017	JE5028-99	1			JE5028-99	1	1
1	E2140	091205										
0	E1154	022703										

APPENDIX C

Internal Component Layout: AT10.1 Group II Battery Charger Style-5018 Enclosure w/Common Options (JE5029-99)



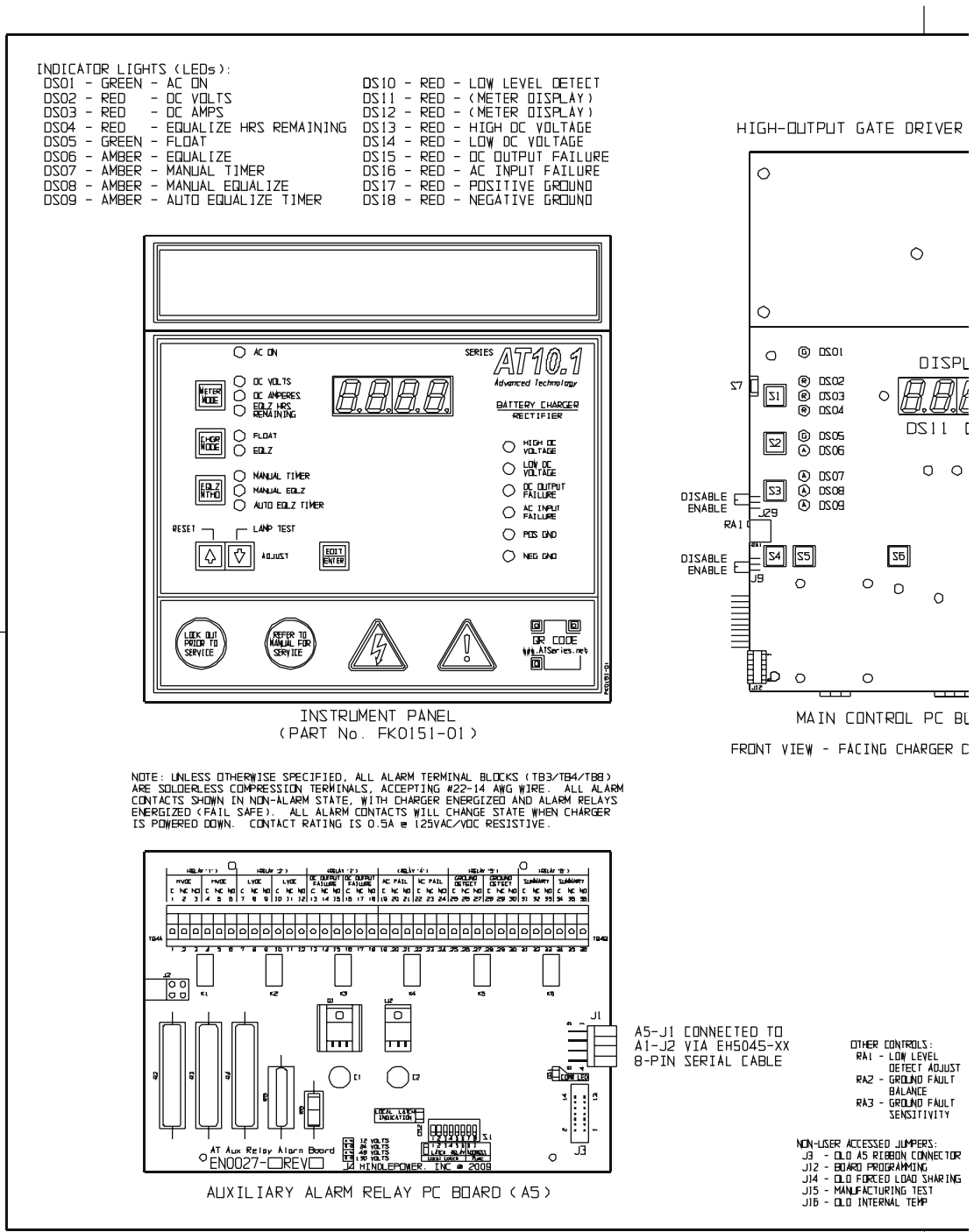
NOTICE This internal component layout drawing (JE5029-99) depicts an AT10.1 Series battery charger housed in a Style-5018 enclosure, with ALL available options. Standard components (A1 through VR7) are supplied in all such units. Optional components (A5 through VR3) are supplied only in those AT10.1s configured with such options.



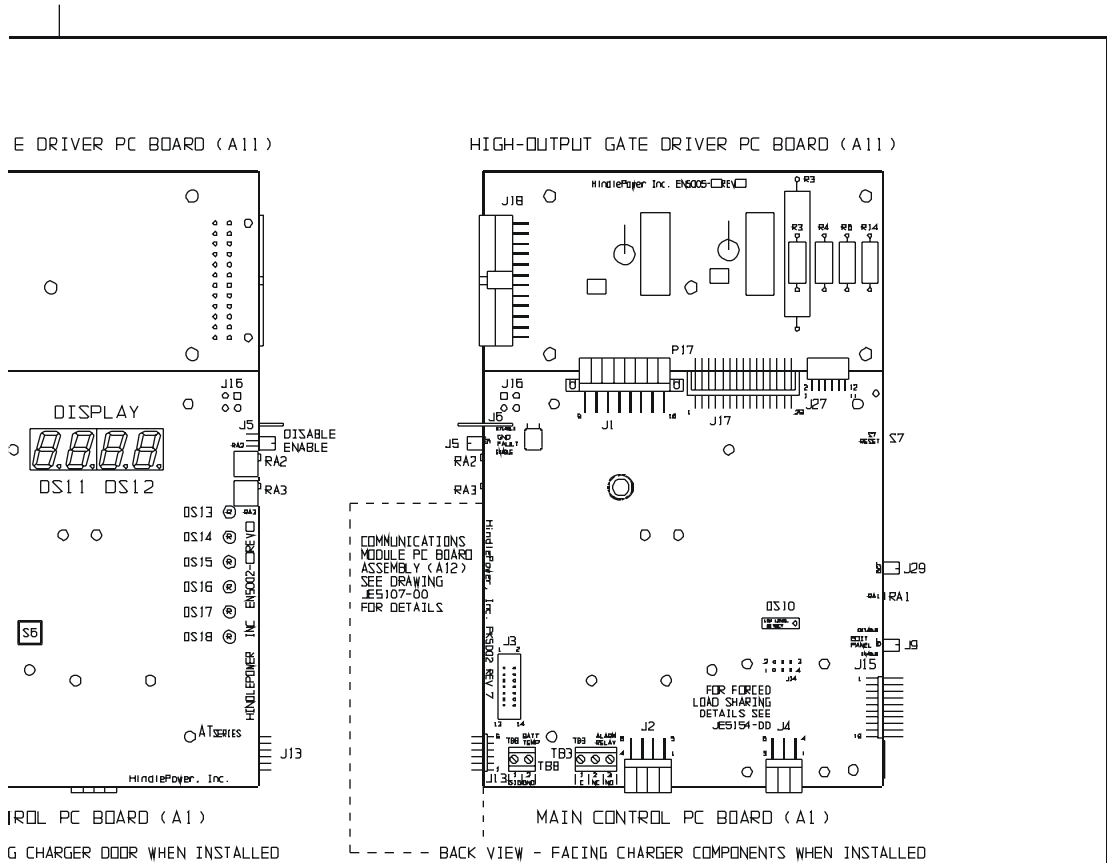
					THIRD ANGLE PROJECTION
				DRAWN BY	MCR 022703
				APPROVED	022803
1	E2140	091205		UNLESS OTHERWISE NOTED DIMENSIONS ARE IN INCHES. TOLERANCES ARE:	
0	E1154	022703			
REV	ECN No	DATE	APP		
				TITLE AT10.1 SERIES BATTERY CHARGER (OPTIONAL) INTERNAL COMPONENT LAYOUT: STYLE-5018	
				DRAWING No JE5029-99	
				REV	1
				SHEET 1 OF 1	
				SCALE	NTS
				PART No	JE5029-99

APPENDIX C

Control Panel / PC Board Detail: AT10.1 Group II Battery Charger w/Optional Auxiliary Alarm Relay PC Board (JE5030-29)



NOTICE This control panel drawing (JE5030-29) depicts the optional Auxiliary Alarm Relay PC Board (A5), which provides two (2) sets of discrete form-C contacts (TB4) for the main AT alarm conditions. All AT10.1s feature one (1) set of form-C "summary" (common) alarm contacts (TB3 on A1).



USER JUMPERS:

- J1 - MAINFRAME SIGNAL HARNESS (NOT USED IN 30-100A)
- J2 - AUX ALARM RELAY BOARD (AS) SERIAL CONNECTOR
- J4 - FORCED LOAD SHARING CABLE INTERCONNECTOR
- J5 - GROUND FAULT ENABLE/DISABLE
- J6 - EARTH GROUND CONNECTOR
- J9 - FRONT PANEL ENABLE/DISABLE (LOCKOUT)
- J13 - COMMUNICATIONS PC BOARD (A12) INTERCONNECTOR
- J17 - HD GATE DRIVER PC BOARD (A11) INTERCONNECTOR
- J18 - MAINFRAME SIGNAL HARNESS (30-100A OUTPUT)
- J27 - NOT USED (3PH GATE DRIVER PCB INTERCONNECTOR)
- J29 - LATCHING ALARMS ENABLE/DISABLE

SWITCHES:

- S1 - METER MODE
- S2 - CHARGER MODE
- S3 - EQUALIZE METHOD
- S4 - Δ ADJUST
- S5 - ∇ ADJUST
- S6 - EDIT / ENTER
- S7 - PROCESSOR MANUAL RESET

TERMINAL BLOCKS:

- TB3 - SUMMARY ALARM RELAY CONTACTS
- TB4 - AUX ALARM RELAY CONTACTS
- TB8 - OPTIONAL TEMPCO PROBE (A10) INTERCONNECTOR

- CONTROLS:**
- LOW LEVEL
 - DETECT ADJUST
 - GROUND FAULT
 - BALANCE
 - GROUND FAULT
 - SENSITIVITY

- JUMPERS:**
- TB3IN CONNECTOR
 - PROGRAMMING
 - 30 LOAD SHARING
 - WIRING TEST
 - ANAL TEMP

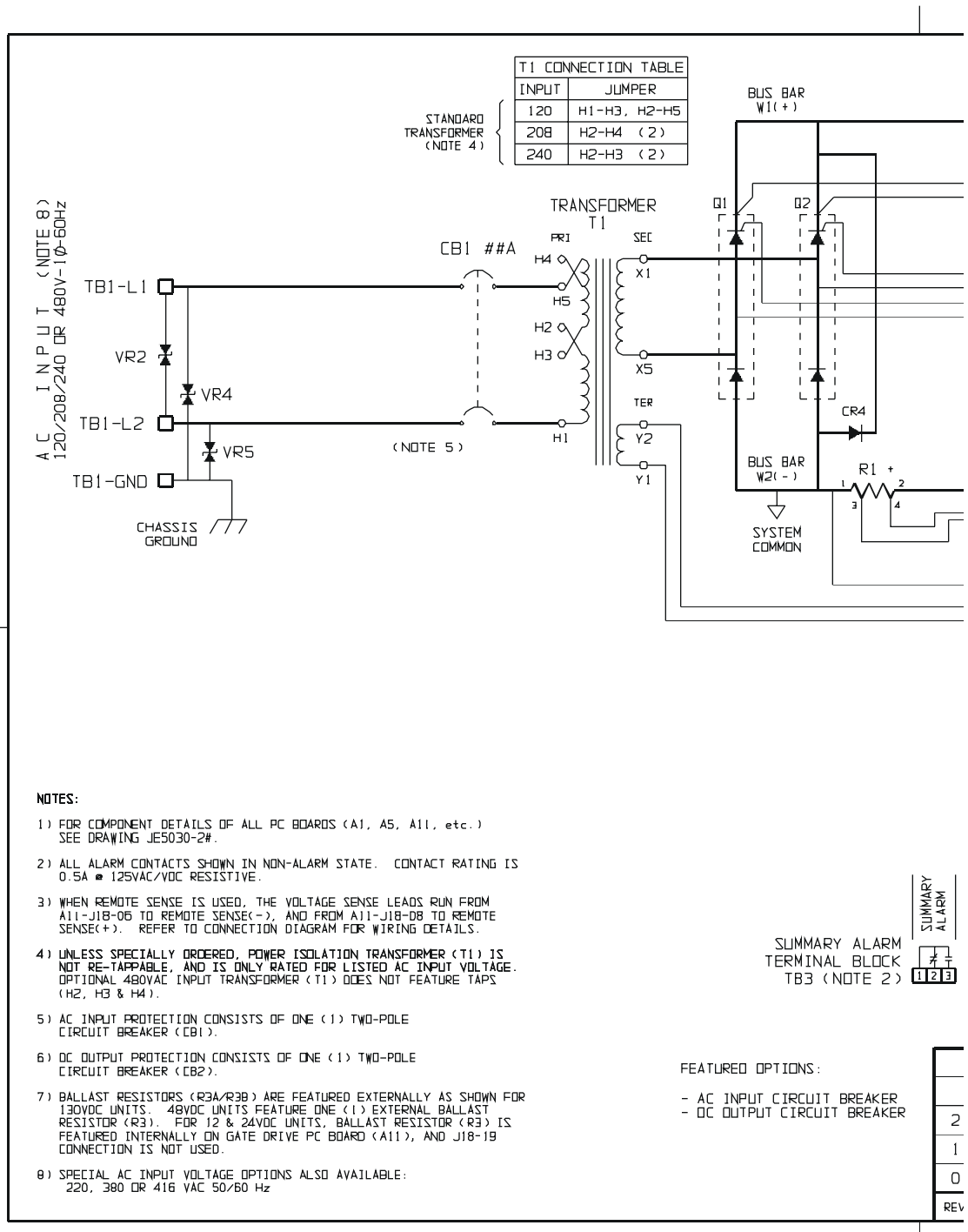
4	23006	020812		THIRD ANGLE PROJECTION	TITLE AT10.1 SERIES BATTERY CHARGER (GROUP II) INSTRUMENT PANEL / PC BOARD DETAIL (OPTIONAL)			
3	21922	120209			DRAWN BY MCR	022003	DRAWING No JE5030-29	
2	21097	041108	APPROVED		022003	REV 4	B	
1	E2044	051705	UNLESS OTHERWISE NOTED DIMENSIONS ARE IN INCHES. TOLERANCES ARE:				SCALE NTS	
0	E1141	022003	PART No JE5030-29				SHEET 1 OF 1	
REV	ECN No	DATE						

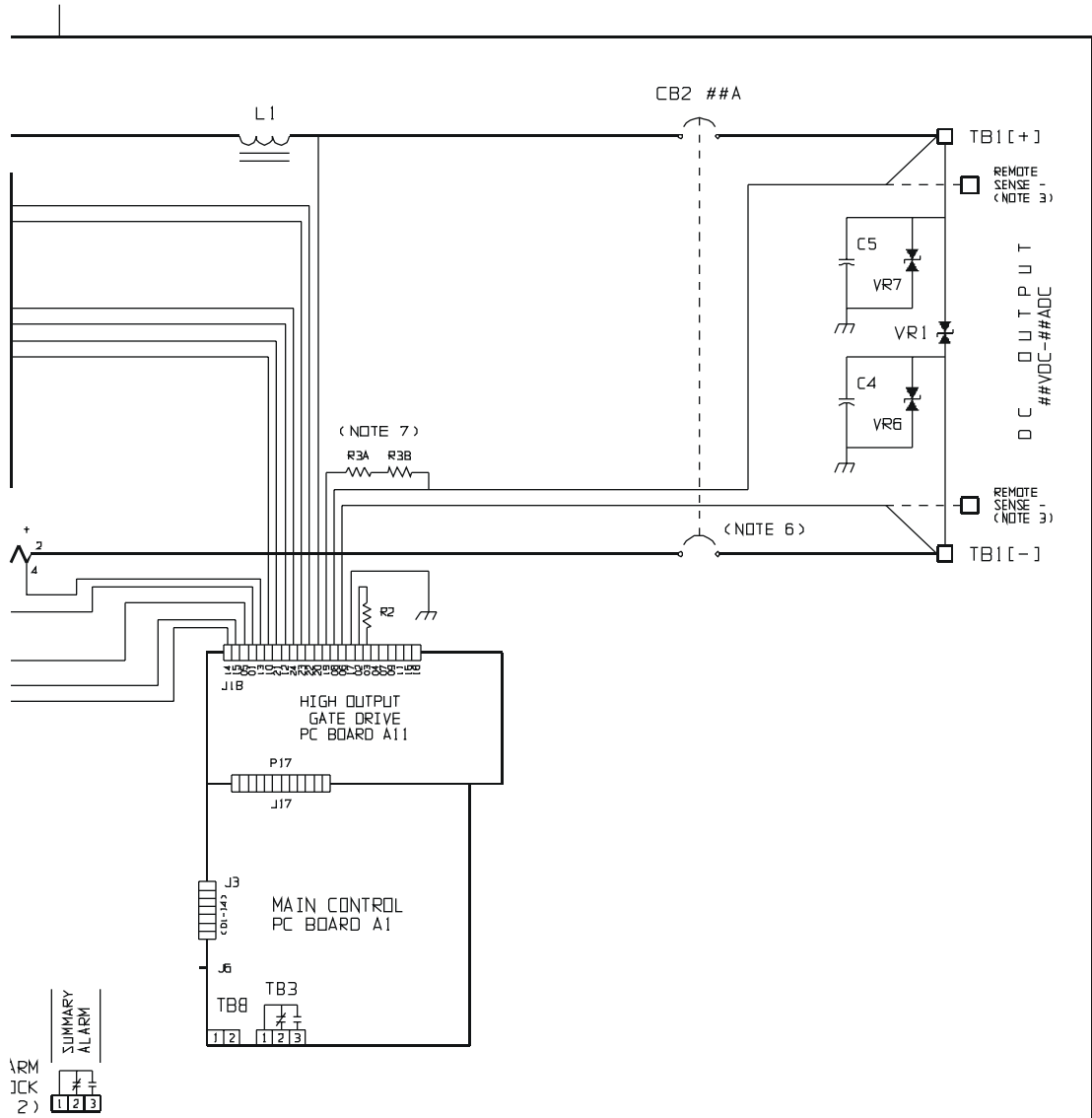
http://www.ATSeries.net/PDFs/JE5030-29.pdf

<http://www.ATSeries.net/PDFs/JE5030-29.pdf>

APPENDIX C

Schematic: AT10.1 Group II Battery Charger Standard w/o Options (JE5032-00)



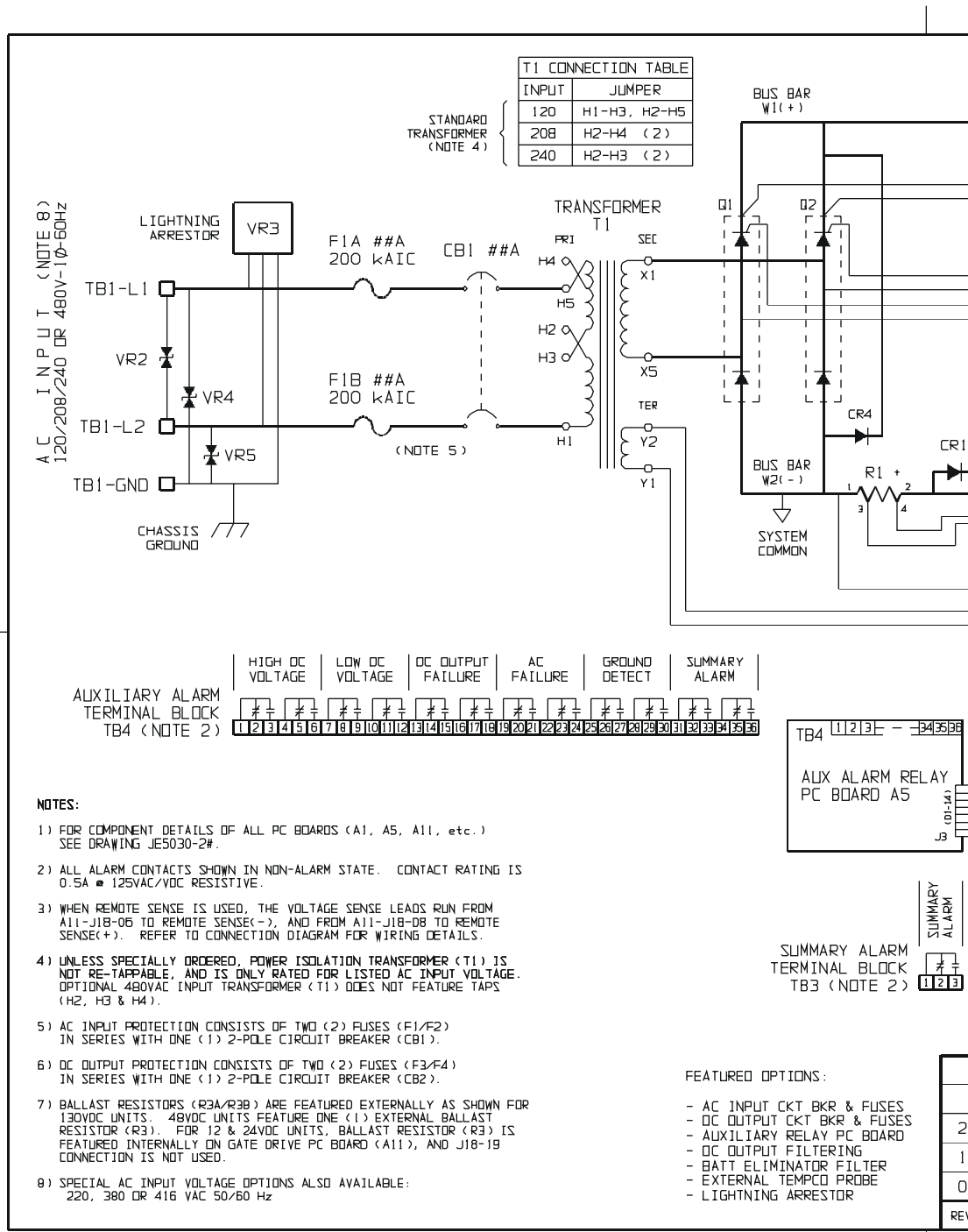


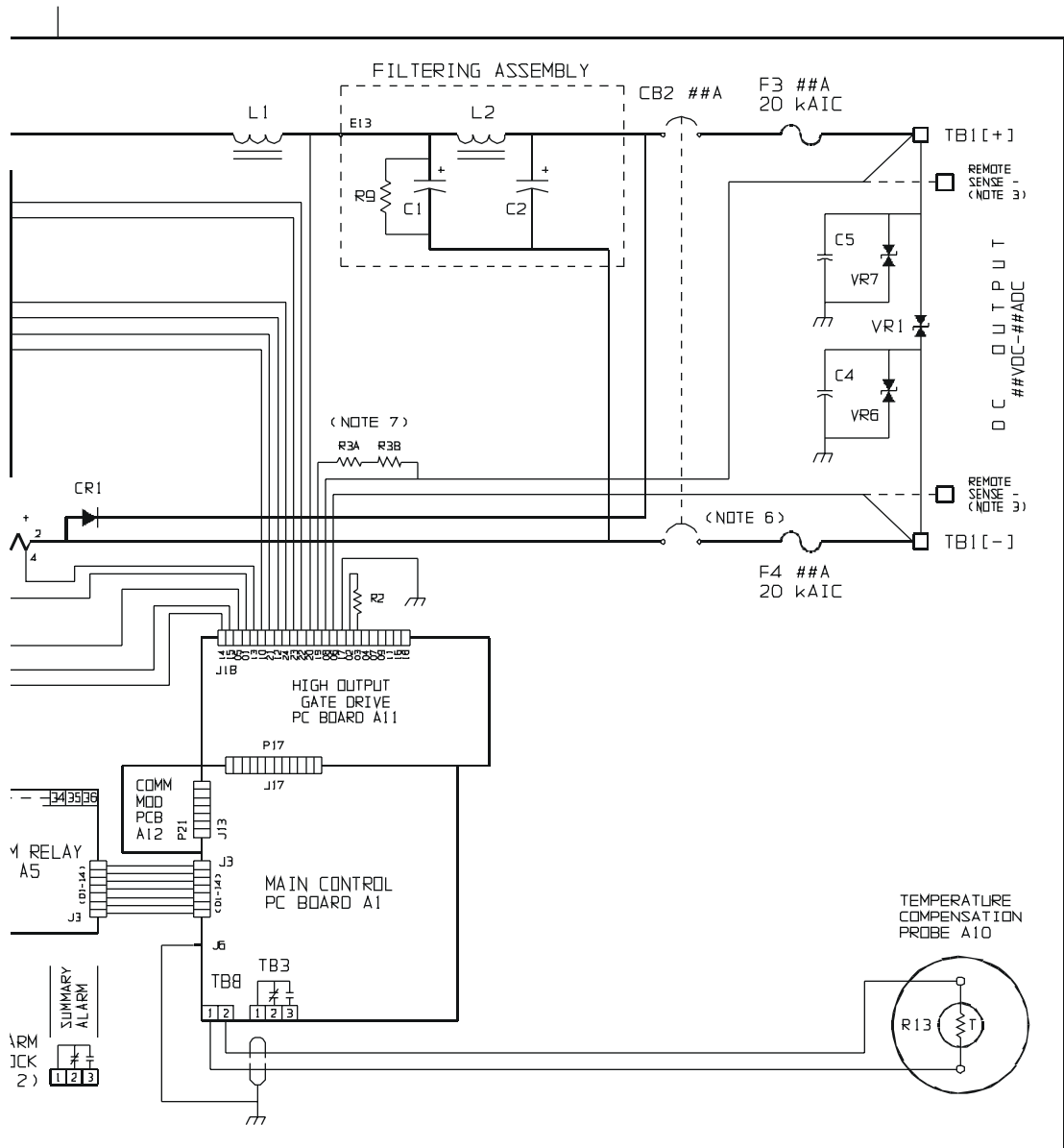
DRAWN BY APPROVED UNLESS OTHERWISE NOTED DIMENSIONS ARE IN INCHES. TOLERANCES ARE:	MCR 022003	TITLE AT10.1 SERIES BATTERY CHARGER SCHEMATIC: GROUP II (30-100ADC) STANDARD - W/O OPTIONS
	022003 022003	DRAWING No JE5032-00
	REV 2 B	SCALE NTS PART No JE5032-00 SHEET 1 OF 1
	022003	REV 2 B
2 1 0	E2141 E1203 E1142	091305 040703 022003
REV ECN No DATE APP	2 1 0	E2141 E1203 E1142

<http://www.ATSeries.net/PDFs/JE5032-00.pdf>

APPENDIX C

Schematic: AT10.1 Group II Battery Charger w/Common Options (JE5032-99)



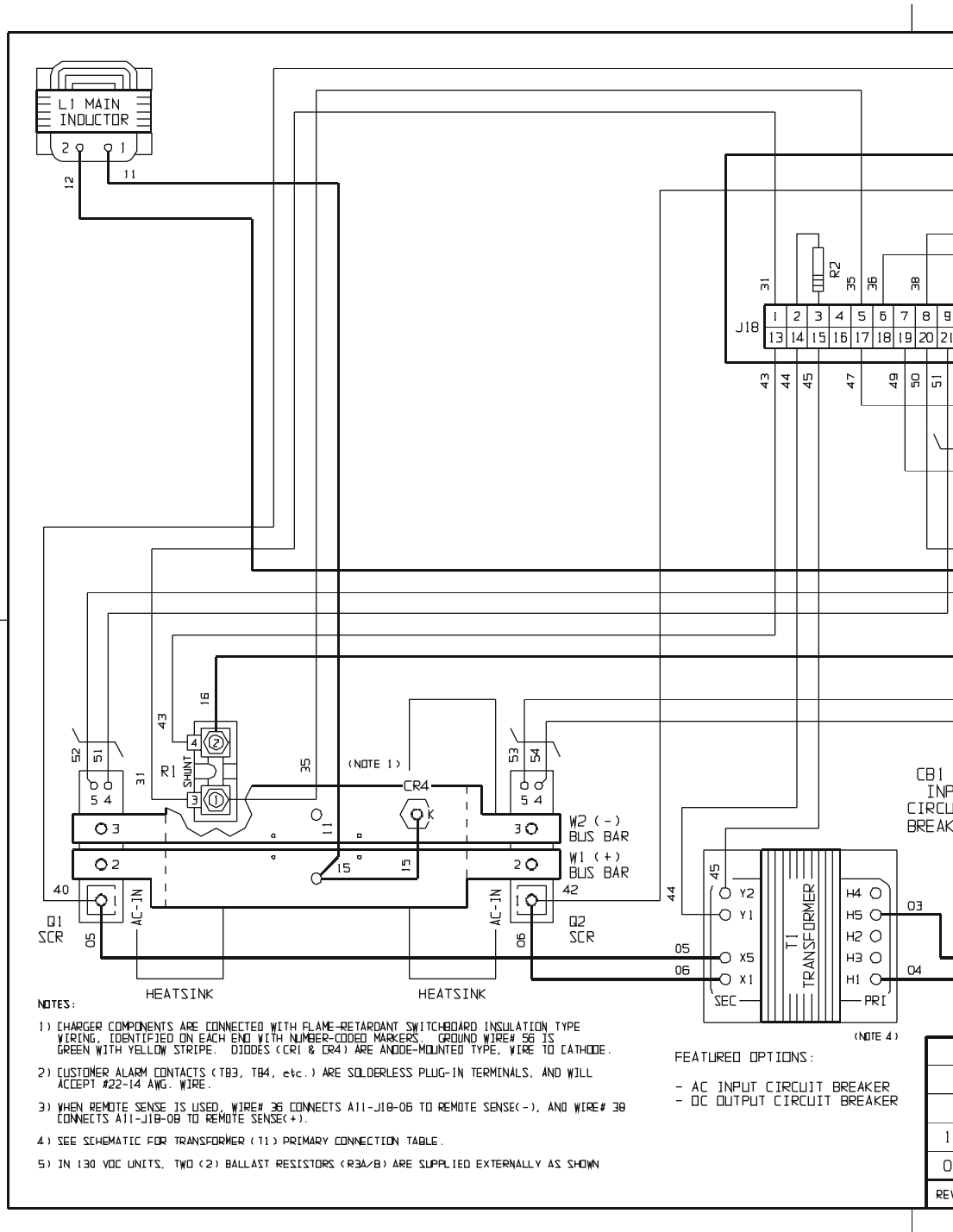


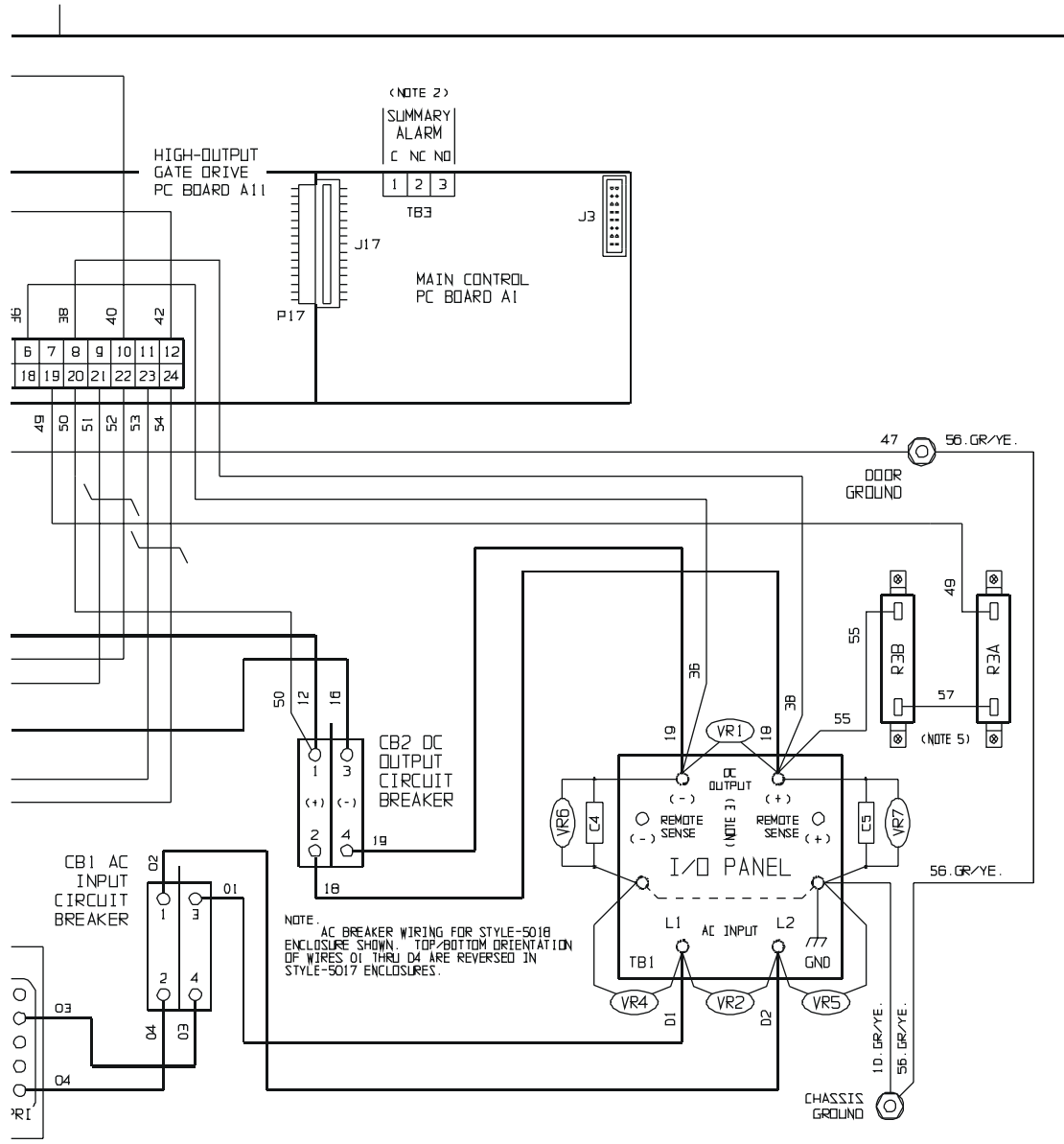
				 THIRD ANGLE PROJECTION						
SES JSES ARD 2	2	E2141	091305	DRAWN BY	MCR	022003	TITLE AT10.1 SERIES BATTERY CHARGER SCHEMATIC: GROUP II (30-100ADC) - W/ALL COMMON OPTIONS			
	1	E1203	040703	APPROVED	<i>[Signature]</i>	022003	DRAWING No		REV 2	B
	0	E1142	022003	UNLESS OTHERWISE NOTED DIMENSIONS ARE IN INCHES. TOLERANCES ARE:			JE5032-99			
REV	ECN No	DATE	APP	SCALE		NTS	PART No	JE5032-99	SHEET	1 OF 1

<http://www.ATSeries.net/PDFs/JE5032-99.pdf>

APPENDIX C

Connection Diagram: AT10.1 Group II Battery Charger Standard w/o Options (JE5034-00)



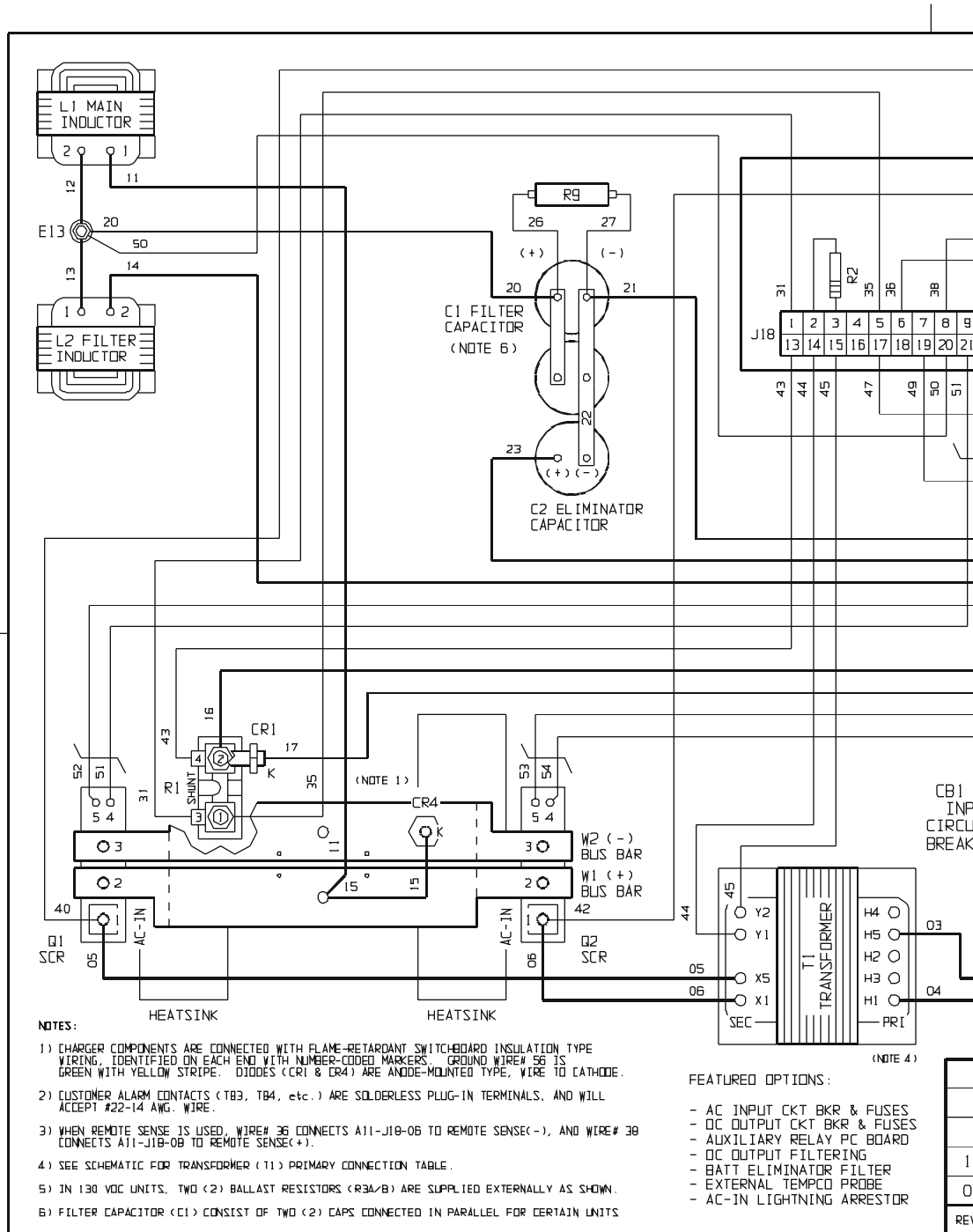


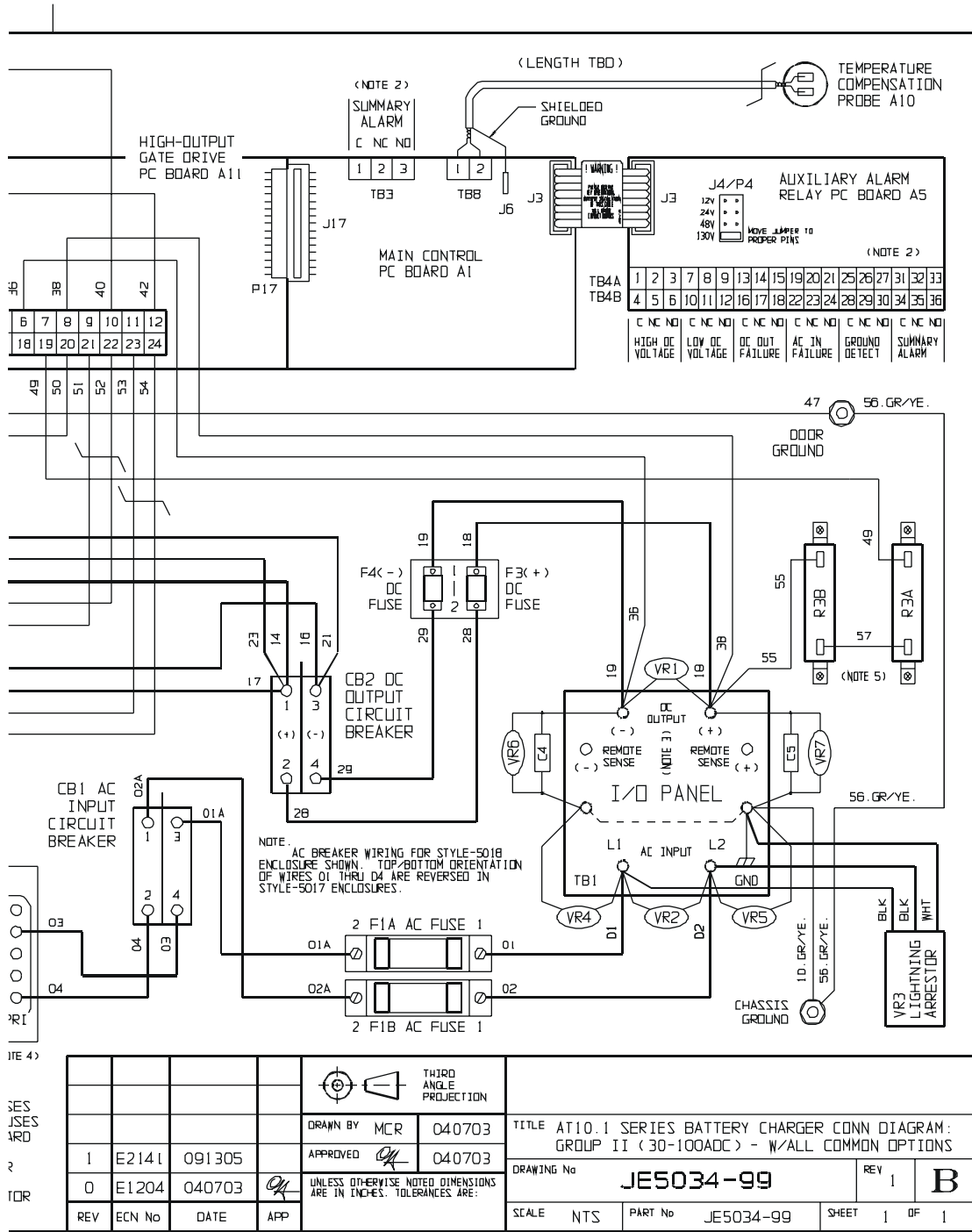
				 THIRD ANGLE PROJECTION													
				DRAWN BY	MCR	040703	TITLE AT10.1 SERIES BATTERY CHARGER CONN DIAGRAM: GROUP II (30-100ADC) STANDARD - W/O OPTIONS										
				APPROVED	<i>[Signature]</i>	040703	DRAWING No		JE5034-00		REV 1	B					
				UNLESS OTHERWISE NOTED DIMENSIONS ARE IN INCHES. TOLERANCES ARE:				SCALE		NTS		PART No	JE5034-00	SHEET	1	OF	1

<http://www.ATSeries.net/PDFs/JE5034-00.pdf>

APPENDIX C

Connection Diagram: AT10.1 Group II Battery Charger w/Common Options (JE5034-99)





<http://www.ATSeries.net/PDFs/JE5034-99.pdf>

APPENDIX D

RECOMMENDED FLOAT AND EQUALIZE VOLTAGES

This table contains suggested values for commonly used batteries. Consult the battery manufacturer's documentation for specific values and settings for the battery type.

Battery Cell Type		Recommended Float Voltage/cell	Recommended Equalize Voltage/cell
Lead-Acid Types	Antimony (1.215 Sp. Gr.)	2.17	2.33
	Antimony (1.250 Sp. Gr.)	2.20	2.33
	Selenium (1.240 Sp. Gr.)	2.23	2.33 - 2.40
	Calcium (1.215 Sp. Gr.)	2.25	2.33
	Calcium (1.250 Sp. Gr.)	2.29	2.33
	Absorbed / Gelled Electrolyte * (sealed lead-acid type)	2.25	*
Nickel-Cadmium (Ni-Cd)		1.42	1.47

* Sealed lead-acid batteries should not be used in ambient temperatures above 95 °F / 35 °C, and should not normally be equalized. Consult the battery manufacturer's documentation for specific equalizing recommendations.

TEMPERATURE COMPENSATION

If batteries are to see temperature variations during charging, a temperature compensation option (p/n **EJ5033-0#**) is recommended. If this option is not part of your AT10.1, manual adjustments should be made. Refer to the equation and table below for temperature-adjusted voltages.



$$\text{temperature-adjusted voltage} = \text{charge voltage} \times K$$

Temperature (°F)	Temperature (°C)	K (Lead-Acid)	K (Nickel-Cadmium)
35	1.7	1.058	1.044
45	7.2	1.044	1.034
55	12.8	1.031	1.023
65	18.3	1.017	1.013
75	23.9	1.003	1.002
77	25.0	1.000	1.000
85	29.4	0.989	0.992
95	35.0	0.975	0.981
105	40.6	0.961	0.970

COMMUNICATIONS MODULE

ONLINE SUPPLEMENT

<http://www.ATSeries.net/PDFs/JA0102-04.pdf>



OVERVIEW

AT10.1 Microprocessor-controlled Float Battery Chargers feature provisions for an optional Communications Module, which allows users to remotely monitor and control the charger over a serial connection. This option supports **DNP3 Level 2** and **Modbus** protocols over **RS-232** or **RS-485** half-duplex. With this option installed, industry-standard Supervisory Control And Data Acquisition (**SCADA**) systems will be able to control, monitor, and log all events of the AT10.1.

All features, including displays and controls, of the AT10.1 front panel are accessible remotely when using the Communications Module. Remote battery temperature (°C) monitoring is also available with the Communications Module. This particular feature is *not* accessible from the standard AT10.1 front panel display.

Installed from the factory, the AT Series Communications Module includes a Communications PC Board (A12) with a dc power supply ballast resistor (R29). A separate AT Series Communications Module *Operating Instructions* ([JA0102-04](#)) provides concise user support.

FIELD INSTALLATION

A field retrofit kit (p/n **EJ5037-1#**) for AT Series Communications is also available for units installed, and already in use.

OPTIONS

An optional Ethernet Gateway interface for AT Series Communication is available for either DNP3 Level 2, or Modbus protocols. Also available is a fiber optic modem kit with interconnection cable.

ORDERING

Contact your sales representative to place an order for the AT Series Communication Module and/or accessories. Refer to the table below.

Description	Part No.
Field Kit Communications Module for 12 Vdc AT10.1	EJ5037-11
Field Kit Communications Module for 24 Vdc AT10.1	EJ5037-12
Field Kit Communications Module for 48 Vdc AT10.1	EJ5037-13
Field Kit Communications Module for 130 Vdc AT10.1	EJ5037-14
Spare A12 Communications PC Board	EN5004-00.
Ethernet Gateway Interface for Modbus AT Comm	EJ5226-0#
Ethernet Gateway Interface for DNP3 L2 AT Comm	EJ5226-1#
Fiber Optic Modem w/Interface for AT Comm	EJ5230-0#

APPENDIX F

FORCED LOAD SHARING


ONLINE SUPPLEMENT

<http://www.ATSeries.net/PDFs/JA5054-00.pdf>



INTRODUCTION

Multiple battery chargers are sometimes employed in dc power systems to provide redundancy. Two (2) or more chargers of the same voltage rating can be connected in parallel, each of them capable of powering the connected dc load and charging the battery. If a battery charger should fail during normal operation, the parallel charger can continue to supply the entire required dc load current, and maintain charge on the battery.

When two (2) AT10.1s operate in parallel, they normally will not share the load current equally. Since any two chargers will have slightly different characteristics, one of the two chargers in a system will have a slightly higher dc output voltage, and will therefore assume more of the burden of providing necessary load current. This section describes an optional accessory for the AT10.1, which *forces* units to share dc load equally. The bagged kit (ordering p/n EJ5126-##) consists of an interconnecting cable to provide such communication, two (2)  labels (p/n FK5046-00), and *Installation & Operating Instructions* ([JA5054-00](#)).

SYSTEM REQUIREMENTS

- The forced load sharing feature is designed only to work with two (2) AT10.1 Series battery chargers. You cannot force load sharing with three (3) or more AT10.1s.
- Both AT10.1s must have the same dc voltage & current rating, and have the same dc filtering.
- Both AT10.1s must feature **Rev. 8** (or higher) builds of the Main Control PC Boards (A1).
- Both AT10.1s must use the same the same firmware versions **Rev. 6** (or higher). The forced load sharing option has not been tested using different programs in each unit. To view the firmware version, press the **LAMP TEST** button on the AT10.1 front control panel. When the button is released, the front panel meter displays the version number for 2 seconds.
- The interconnecting signal cable length should be no more than 50ft (15m).

INSTALLING THE INTERCONNECTION CABLE

The AT Series forced load sharing accessory is normally supplied by the factory with a standard 15ft (4.6m) interconnection cable. A 25ft (7.6m) long cable and a 50ft (15.2m) long cable are also available. The interconnection cable is terminated at each end with a 6-pin connector that mates with the plastic connector (J4) on lower-right corner of the Main Control PC Board (A1). One end of the cable features an extra jumper in the connector, and should be identified for use with the *Secondary* charger. The other end of the cable connects to the *Primary* charger. Either AT10.1 may be selected as Primary or Secondary, but you may wish to choose the unit that is more accessible to be the Primary. The Primary charger controls the dc output voltage of both AT10.1s.

You may run the interconnection cable through conduit if necessary. However, do not run the cable through the same conduit with power wiring. Do not remove the connectors in order to "fish" the cable through the conduit. Maximum pulling tension is 46 lb (20.9 kg). The cable has a plenum-rated outer jacket, and passes the NFPA 262 flame propagation test. Install the cable between the AT10.1s, and anchor it in place at both ends before connecting. Connect each end to the Main Control PC Boards (A1), inserting the connector into J4 until it is completely seated.

NOTICE

External *power* cabling for the dc bus (charger, battery, and dc load interconnection) is *not* supplied with the AT10.1 or the AT Series Forced Load Sharing option. All user-supplied system wiring should meet National Electric Code (NEC) standards, as well as local/site codes. Confirm polarity (+/-) of all dc cabling before making connections.

OPERATING THE AT10.1 WITH FORCED LOAD SHARING

Restore external power connections to both AT10.1s, and restart using the procedure in Section 2.1. After the AT10.1s cycle, the Primary charger attempts to establish communication with the Secondary. If communication is successful, the AT10.1s behave as follows:

- The Primary charger displays the message **LS-P** (Load Share, Primary) on the front panel meter, alternating with the normal display of output voltage and current.
- The Secondary charger displays the message **LS-S** (Load Share, Secondary) on the front panel meter, alternating with the normal display of output voltage and current.
- The Primary charger transfers *all* its set points (Float, Equalize, alarms, etc.) to the Secondary charger. The Primary charger also controls all set points for both AT10s. While in Forced Load Sharing mode, you may adjust *any* set points (of the charger pair) at the front panel of the Primary. The front panel of the Secondary charger won't allow any settings to be changed.
- If one charger loses ac power (or is turned off), the remaining charger returns to independent operation, whether it was originally the Primary or Secondary.
- In the event of a fault in the interconnection, or any other problem with communication, the AT10.1s return to independent operation, and the front panel on each charger displays the message **E 14**, indicating the fault.
- There is a delay (up to 4 seconds) for the two (2) AT10.1s to establish forced load sharing communication. If communication is broken (or power is lost for one charger), there is a 2-4 second delay for the other charger to resume independent operation.
- If the Primary and Secondary AT10.1s need to be interchanged, simply reverse the interconnection cable.
- The presence of the interconnection cable (with proper orientation) forces the two AT10.1s into load sharing. Controlling load sharing from the front panel is neither necessary nor possible.
- **⚠ CAUTION** Never separate the AT10.1 from the dc bus while in forced load sharing mode.

WHEN TEMPERATURE COMPENSATION IS INSTALLED

The AT Series forced load sharing feature is compatible with the external temperature compensation accessory. Both AT10.1s must have a temperature probe installed, and the probes should be located as close as possible to each other. When AT10.1s are load sharing, the *primary* charger will determine the temperature-compensated voltage, and adjust the output accordingly.

The primary charger and secondary charger will display the set point voltage, not the temperature compensated output voltage. The voltage displayed by the primary and secondary chargers may be different, if either temperature probe is not installed or defective. A slight difference in the displayed voltages may also occur if the two (2) probes are not located in close proximity of each other. See user *Application Note* ([JD5003-00](#)) for further details regarding temperature compensation.

TROUBLE SHOOTING

If the AT Series Forced Load Sharing option is installed, but the output currents of the AT10.1s are unequal, refer to the following table.

PROBABLE CAUSE	RECOMMENDED ACTION
1. Connection cable missing or installed incorrectly. 2. Incorrect connections to ac power sources. 3. Defective or improper Main Control Board (A1)	1. Ensure that the interconnection signal cable assembly is properly installed, and that the connector for the Secondary charger has the jumper as described on the previous page. 2. Ensure that both AT10.1s are connected to the same ac supply and that source phase rotation is the same for both chargers. 3. Replace the Main Control PC Board (A1) in one charger at a time, noting system requirements, to restore correct load sharing operation.

APPENDIX G

CE COMPLIANCE - PROPER GROUNDING

- It is the responsibility of the *installer* of the AT10.1 to supply suitable grounding and approved ground wire.
- The AT10.1 chassis must be grounded in accordance with the national electrical codes of the country where installed.
- The ground wire must be approved for use in the country in which the AT10.1 is installed, or bear the ◀ **HAR** ▶ mark.
- A separate bi-color **ground wire** (green with a 30% yellow stripe) must be run in hard-pipe conduit along with ac supply wiring.
- There must be no switches, splices, or over-current protection in the ground wire.
- Refer to the Data Nameplate Decal affixed to the outside panel of the AT10.1 to determine maximum available operating current.

REMOTE SHUTDOWN

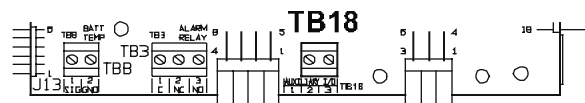
BACKGROUND

⚠ WARNING Charging stationary batteries can produce explosive gases! Some installations require the charging process to stop when these gases are detected. The AT10.1 features a remote shutdown capability, allowing the *charging function* to be temporarily halted, using an external user-controlled non-powered "dry" contact.

INSTALLATION

Locally shut down the AT10.1 by manually opening both front panel circuit breakers (CB1/CB2). If possible, lock out all external power to the charger. Open the front panel door and identify the square Main Control PC Board (A1) mounted to the inside surface of the control panel. Along the bottom edge of the board are a number of user contacts. Locate the 2-position compression screw terminal block (TB18) at the *center* of the board.

The terminals for remote shutdown connector are labeled "AUXILIARY I/O", and numbered "2" and "3", with position "1" not loaded. The terminal block



features compression screw connections, accepting #22-14 AWG signal wire.

A user-supplied non-powered "dry" contact is required to activate the AT10.1 remote shutdown feature. Feed user-supplied shutdown wiring into the AT10.1, and route it up to the Main Control PC Board (A1). Strip 0.25in / 6.4mm of insulation from the incoming signal wiring, and insert into terminal block (TB18-2 & TB18-3). Polarity of user shutdown wiring is not important. Tighten the compression screws, and secure the new wiring to the existing signal harness. Return any safety shields and close the front panel door.

Restart the AT10.1 using the procedure in Section 2.1. After the start-up sequence, confirm the AT10.1 returns to normal operating conditions. No alarm indicator LEDs should be lit, and no front panel error codes should be apparent on the 4-digit meter display.

FUNCTION

Test (or activate) the remote shutdown feature by connecting (or closing) the Auxiliary I/O contacts (TB18-2 and TB18-3). The front panel display should stay lit. Both front panel circuit breakers (CB1/CB2) should stay closed. The 4-digit front panel display should indicate error code **E 16** within seconds. The AT10.1 has been successfully shut down.

⚠ CAUTION During remote shutdowns, dangerous voltages still exist inside the AT10.1. External ac power to the input terminals (TB1-L1/L2) are still live, and the ac input circuit breaker (CB1) is closed. Likewise, dc bus voltage is still present at the output terminals (TB1+/-), and the dc output circuit breaker (CB2) is closed.

Initiating a remote shutdown will also cause the AT10.1 summary (common) alarm relay to change state. A discrete alarm contact for remote shutdown is not supplied. However, if the optional AT Series Communications Module is supplied with the charger, the remote shutdown error code (**E 16**) will be transmitted remotely via Modbus or DNP3.

RESTART

Restart the AT10.1 by opening Auxiliary I/O contacts (TB18-2 and TB18-3). Error code **E 16** should disappear from the 4-digit front panel display. After a few seconds, the AT10.1 should return to normal operation, and no alarms should be present. The front panel display should alternate between dc output voltage (Vdc) and dc output current (Adc). The AT10.1 has been successfully restarted.

APPENDIX J

BATTERY OPEN ALARM

ONLINE SUPPLEMENT

<http://www.ATSeries.net/PDFs/JA5108-00.pdf>



BACKGROUND

The AT10.1 can be configured to periodically test for an "open battery". This feature allows the AT10.1 to periodically check whether the battery is capable of delivering sufficient output current to satisfy required dc loads for three (3) minutes.

If the battery is extremely low on capacity, or there is an open string, the AT10.1 firmware will indicate an alarm, alerting the user to capacity test the battery. The benefits of the Battery Open Alarm feature are as follows:

- The test is programmed to run automatically for 3 minutes at 90-day intervals.
- The feature meets, or exceeds, compliance for "**battery continuity confirmation**" as required by the North American Electric Reliability Corp. standard **NERC PRC-005**.
- The test may be easily enabled and disabled on the Main Ctrl PC Board (A1).

ENABLING/DISABLING

Before enabling or disabling the Battery Open Alarm feature, shut down the AT10.1 by opening both front panel circuit breakers (CB1/CB2). Open the hinged front panel door, and locate the square Main Control PC Board (A1), mounted to the inside surface of the control panel.

Located along the right edge of the pc board, when viewed from the back, identify the top 3-pin shorting jumper (J31), labeled "**BATT OPEN ALARM**". Refer to image on the right.

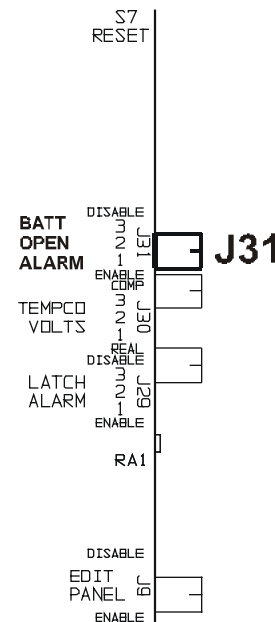
Move the shorting block down onto J31 pins 1-2, to **enable** the Battery Open Alarm feature. Move the shorting block up onto J31 pins 2-3, to **disable** Battery Open Alarm. Restart the AT10.1 per Section 2.1 on page 24.

FUNCTION

The AT10.1 Battery Open Alarm feature tests the battery at a fixed interval. The test runs automatically every 90 days. The 90-day timer will reset (restart) under any of the following conditions:

- a) The timer will reset on an ac failure.
- b) The timer will reset on Equalize (starts at the end of the Equalize period).
- c) The timer will reset if the Battery Open test is deactivated by jumper (J31).
- d) The timer will reset when a previous failure (**E 15** code) is reset.
- e) The timer will reset if a manual test is initiated.

The Battery Open **test** runs for a fixed duration of 3 minutes. During the test, the AT10.1 lowers its output to 2 Volts below the LV Alarm point (see **Setting the Low DC Voltage Alarm** on page 33). During the Battery Open test, the text '**tEst**' is indicated on the front panel display. If the battery supports the standing load for the entire 3 minutes, the test will conclude. The AT10.1 will return to the normal Float setting, and the Battery Open test will run again at the next interval.

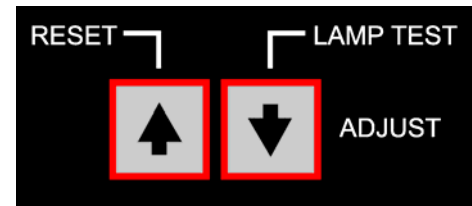


The Battery Open *alarm* will activate if the dc bus falls below LV Alarm point any time during the 3-minute test. The test is immediately terminated when there is an open battery failure. On a failure, error code **E 15** is indicated on the front panel display, and the Summary Alarm relay (TB3) transfers after the nominal 30-second delay. The Battery Open Alarm is latched, but is *independent* of the standard latching alarm setting (see [JA5098-00](#)). If the optional AT Series Communications Module is installed, the Battery Open Alarm (**E 15**) is also available for SCADA remote monitoring. Code **E 15** will be displayed (latched), and testing is deactivated, until the Battery Open Alarm is reset.

If an optional Auxiliary Alarm Relay PC Board (A5) is supplied with the AT10.1, the Summary Alarm Relay '6' (TB4, contacts **31/32/33** & **34/35/36**) will be *re-purposed*, from a second Summary Alarm to a dedicated Battery Open Alarm contact. This will only occur if the Battery Open Alarm is enabled via jumper (J31). The standard Summary Alarm relay on the Main Control PC Board (A1) will continue to act as a "common" alarm. When the Battery Open Alarm is enabled, redundant relay '6' will transfer *only* on a Battery Open failure. The Battery Open Alarm form-C contacts (TB4-**3#**) are latched, independent of the standard latching alarm setting of the optional Auxiliary Alarm Relay PC Board (A5).

To clear the latched alarm(s), press and hold the **RESET** button (**UP** arrow) on the front control panel. The AT10.1 will acknowledge the alarm reset by indicating **RStL** on the display. The reset function will clear all latched alarms, and de-activate the Summary Alarm relay contacts (TB3-**1/2/3**). This will also reset the dedicated Battery Open Alarm contact (redundant relay '6') on the optional Auxiliary Relay PC Board (A5), if installed.

A *manual* Battery Open test can be initiated at any time by holding down the **LAMP TEST** button for longer than 4 seconds, activating the alarm relay(s), see Section 2.2.5 on page 29. The Battery Open Test will run 20 seconds after the **LAMP TEST** key is *released*. This manual test will only work when the Battery Open Alarm jumper (J31) is activated.



LIMITATIONS

- The Battery Open Alarm test will work on a stand-alone AT10.1 connected to a *single* battery, provided that there is sufficient standing load to drop the battery voltage from the Float level during the 3-minute test interval.
- This feature work with a stand-alone AT10.1 connected to a single battery, and also connected to a second similar system through a "*Best Battery Selector*" (steering diodes). There must be sufficient local load on the battery side of the Best Battery Selector to cause the battery voltage to collapse during the test. The AT10.1 standing load may be sufficient. If the standing load is insufficient, an additional resistive load may need to be permanently connected to each battery, on the battery side.
 - This feature will work on two (2) AT10.1s in Forced Load Sharing. However, only the Primary (master) AT10.1 should have the Battery Open Alarm test enabled. The test will automatically be *deactivated* if it is enabled on a Secondary (slave) AT10.1 in a Forced Load Sharing pair.
 - This feature will *not* work on two (2) AT10.1s, paralleled in "random" (not forced) load sharing, unless one (1) charger is turned off.

USER NOTES

MANUAL SPECIFICATIONS

DOCUMENT NUMBER

The text and graphics contained within this manual are controlled by the battery charger manufacturer's internal part number (**JA5018-00**). The revision level and dates of this manual's text and graphics are listed below. These controls supercede all other available dates. The first two and last two pages of this manual are reserved for company-specific front and back cover artwork. Any revision levels, revision dates, or document numbers featured on the first two and last two pages of this manual refer to the cover artwork only.

DOCUMENT INFORMATION

Document Number: **JA5018-00**
Revision Level: **7Z**
Electronic Filename: **[JA5018-00.Rev7Z.doc]**
Last Date Saved: **[8/8/2023 8:08 AM]**
Last Date Printed: **[8/8/2023 8:08 AM]**



[JA0102-02](#)

PARTS DATA PACKAGE

Any job-specific customized Parts Data Package report supplied with this battery charger and/or this manual, supercedes the information featured in the standard parts list in Section 3.6 starting on page 62. The data in that particular document is applicable only to the battery charger featuring the same serial number listed on the Parts Data Package report.

DRAWINGS

A **customized** record drawing package is available for your **AT10.1**, featuring:

- unit-specific drawing list / data nameplate detail
- enclosure outline drawing
- itemized internal component layout
- control panel / pc board detail
- functional electrical schematic w/component ratings
- full point-to-point connection diagram

If the **standard** drawings featured in this manual are not sufficient, please contact your Sales Representative for drawing availability from the battery charger manufacturer. Any job-specific custom drawings supplied with your AT10.1 and/or this manual, **supercede** the standard drawings featured in Appendix C. The standard drawings and corresponding page numbers featured in this section may not be included with custom printed manuals, when job-specific custom drawings are supplied.

ONLINE AVAILABILITY

Available online at www.ATSeries.net:

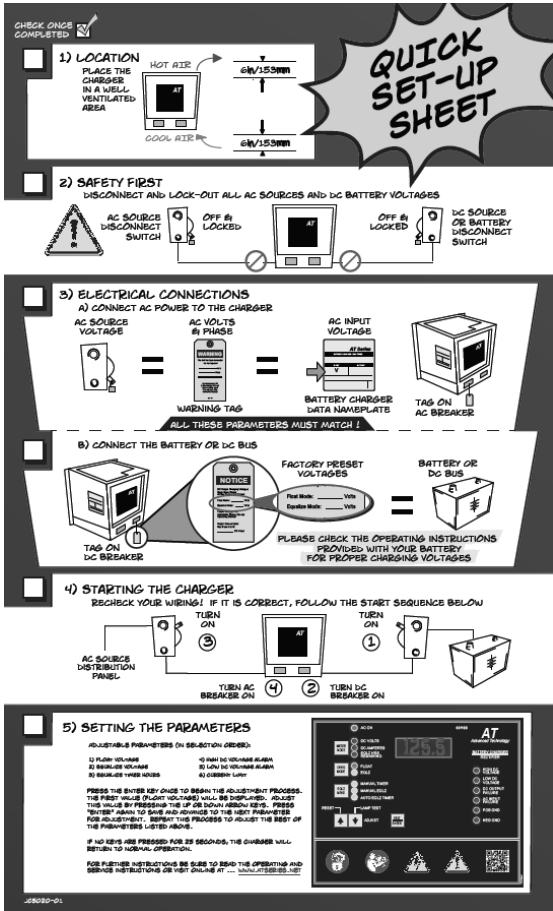
- unbranded version of this O&SI manual (<http://www.ATSeries.net/PDFs/JA0102-02.pdf>)
- other related product operating manuals
- standard drawings (including the ones listed in this manual)
- feature and accessory special instructions
- option drawings
- field service instructions
- product application notes

Saved in Adobe Acrobat Portable Document Format (*.pdf), they are **freely** available for downloading and printing. If revision levels differ between the drawings embedded in this manual and the full online PDF drawings, refer to document with the higher revision level. For document availability of private-labeled manuals and/or standard drawings, please contact your sales representative or visit the web site listed on the **back cover** of this manual.

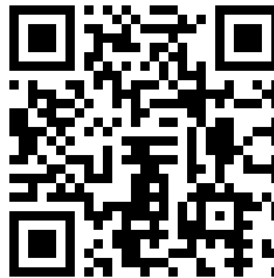
RELATED DOCUMENTS

Doc. No.	Online Hyperlink	Description
JC5020-01	http://www.ATSeries.net/PDFs/JC5020-01.pdf	AT Series Charger Quick Setup Sheet
JA0102-02	http://www.ATSeries.net/PDFs/JA0102-02.pdf	AT10.1 G2 Manual (unbranded)
JF5006-01	http://www.ATSeries.net/PDFs/JF5006-01.pdf	AT10.1 Sales Cut Sheet (unbranded)
JA0102-04	http://www.ATSeries.net/PDFs/JA0102-04.pdf	AT Batt Chgr Communications Manual
JA5015-00	http://www.ATSeries.net/PDFs/JA5015-00.pdf	AT TempCo Probe Acy. Instructions
JA5054-00	http://www.ATSeries.net/PDFs/JA5054-00.pdf	AT Forced Load Sharing Instructions
JA5098-00	http://www.ATSeries.net/PDFs/JA5098-00.pdf	AT Latching Alarm Relays Instructions
EJ5088-XX	http://www.ATSeries.net/PDFs/EJ5088-XX.pdf	AT Series Ground Detection Voltmeter
EJ5136-XX	http://www.ATSeries.net/PDFs/EJ5136-XX.pdf	AT Series Battery Discharge Alarm
EJ5137-XX	http://www.ATSeries.net/PDFs/EJ5137-XX.pdf	AT Series End Of Discharge Alarm
JA0083-00	http://www.ATSeries.net/PDFs/JA0083-00.pdf	AT10.1 Style-5017 Floor-Mtg. Instructions
JA0091-02	http://www.ATSeries.net/PDFs/JA0091-02.pdf	AT10.1 Style-5017 Rack-Mtg. Instructions
JA0091-03	http://www.ATSeries.net/PDFs/JA0091-03.pdf	AT10.1 Style-5018 Rack-Mtg. Instructions
JA0092-01	http://www.ATSeries.net/PDFs/JA0092-01.pdf	AT10.1 Style-5017 NEMA-2 Drip Shield
JA0092-02	http://www.ATSeries.net/PDFs/JA0092-02.pdf	AT10.1 Style-5018 NEMA-2 Drip Shield
JA0108-01	http://www.ATSeries.net/PDFs/JA0108-01.pdf	AT10.1 St-5017/5018 Cab. Padlock Acy.
JA5060-01	http://www.ATSeries.net/PDFs/JA5060-01.pdf	AT10.1 Style-5017 Cabinet Heater Acy.
JA5060-03	http://www.ATSeries.net/PDFs/JA5060-03.pdf	AT10.1 Style-5018 Cabinet Heater Acy.
JA5063-00	http://www.ATSeries.net/PDFs/JA5063-00.pdf	AT10.1 Style-5018 Wall-Mtg. Instructions
JD0064-00	http://www.ATSeries.net/PDFs/JD0064-00.pdf	Preventative Maintenance Procedure
JD0064-01	http://www.ATSeries.net/PDFs/JD0064-01.pdf	AT Series Charger Start-up Procedure
JD0084-10	http://www.ATSeries.net/PDFs/JD0084-10.pdf	Filter Cap (C1/C2) Replacement Procedure
JD5003-00	http://www.ATSeries.net/PDFs/JD5003-00.pdf	TempCo Probe Application Note
JD5008-00	http://www.ATSeries.net/PDFs/JD5008-00.pdf	AT Communications Field Installation
JD5010-00	http://www.ATSeries.net/PDFs/JD5010-00.pdf	AT Power Res. (R3) Field Installation
JD5011-00	http://www.ATSeries.net/PDFs/JD5011-00.pdf	Ext. Free-Wheeling Diode Application Note
JD5012-00	http://www.ATSeries.net/PDFs/JD5012-00.pdf	Main Ctrl PC Board (A1) Field Installation
JD5012-11	http://www.ATSeries.net/PDFs/JD5012-11.pdf	Gate Driver PCB (A11) Field Installation
JD5014-00	http://www.ATSeries.net/PDFs/JD5014-00.pdf	AT10.1 St-5017/5018 Encl. Keylock Acy.
JD5015-00	http://www.ATSeries.net/PDFs/JD5015-00.pdf	AT10.1 G2 Aux Alarm Relay Field Install
JD5037-00	http://www.ATSeries.net/PDFs/JD5037-00.pdf	AT Series Ground Bus Bar Field Install
JD5071-00	http://www.ATSeries.net/PDFs/JD5071-00.pdf	AT Series Barrier Type Alarm Terminals
DC5016-00	http://www.ATSeries.net/PDFs/DC5016-00.pdf	AT Series AC Input Current Tables
JD0052-00	http://www.ATSeries.net/PDFs/JD0052-00.pdf	Battery Discharge Dual Operation Note
JD5006-00	http://www.ATSeries.net/PDFs/JD5006-00.pdf	Alt. & Temp. De-Rating Application Note
JD5013-00	http://www.ATSeries.net/PDFs/JD5013-00.pdf	AC Ripple Specification Application Note
JD5032-00	http://www.ATSeries.net/PDFs/JD5032-00.pdf	Ground Fault Detection Application Note
JD5036-00	http://www.ATSeries.net/PDFs/JD5036-00.pdf	About That "Blocking" Diode - App Note
JF5039-00	http://www.ATSeries.net/PDFs/JF5039-00.pdf	AT10.1/AT30 3rd Party Agency Approvals
JF5045-00	http://www.ATSeries.net/PDFs/JF5045-00.pdf	Proper Sizing of Industrial Battery Chargers

QUICK SET-UP



Scan this QR Code...



...for a handy guide which will lead you through a quick setup of the industry's most **USER-FRIENDLY** battery charger!



Address: 1075 Saint John Street
Easton, PA 18042-6661
Phone: 610.330.9000
Fax: 610.330.8510
Online: www.hindlepowerinc.com

