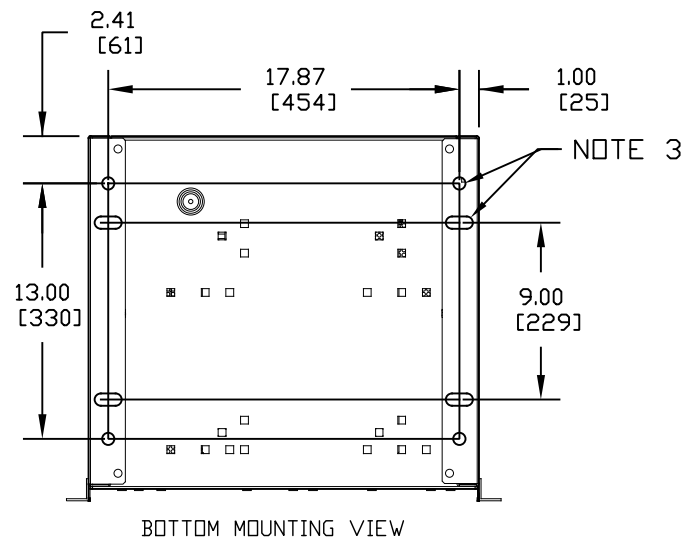
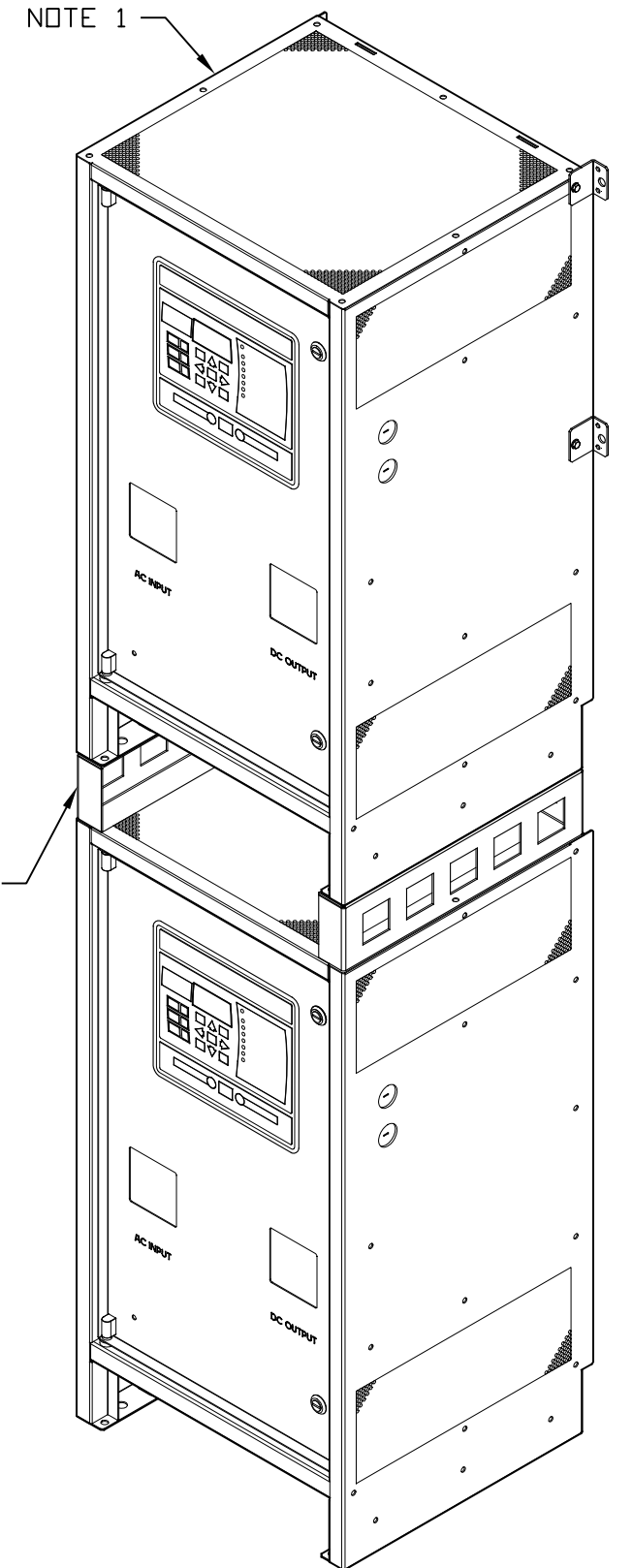


NOTES:

- BATTERY CHARGER ENCLOSURES ARE NEMA-1 / IP20 TYPE STEEL CABINETS WITHOUT GASKETS. FINISH IS ANSI-61 GRAY EPOXY POWDERCOAT.
- ALLOW 6in / 153mm OF FREE AIR (TOP, FRONT, AND SIDES OF ENCLOSURES) FOR VENTILATION.
- FOUR (4) 0.5in / 12mm FLOOR-MOUNTING HOLES AND FOUR (4) 1in x 0.625in / 25mm x 16mm FLOOR-MOUNTING SLOTS ARE PROVIDED ON BOTTOM OF ENCLOSURE AS SHOWN.
- FOUR (4) 1.31in / 33mm DIA STANDARD PRE-FAB KEY-SLOT KNOCKOUTS ARE PROVIDED AS SHOWN FOR 1in / 25mm CONDUIT ENTRY. IF ADDITIONAL CONDUIT ENTRANCES ARE REQUIRED, ENCLOSURE SHOULD BE FIELD-MODIFIED BY INSTALLER.
- TWO (2) BATTERY CHARGERS ARE SUPPLIED (SHIPPED) SEPARATELY (UNSTACKED). STACKED AND MOUNTED ENCLOSURES ARE SEPERATED BY 4in x 2in / 102mm x 51mm 0.25in / 6.4mm THICK ANGLE.
- INDIVIDUAL STYLE-5070 ENCLOSURES ARE CERTIFIED TO GR-63-CORE FOR SEISMIC ZONE 4 APPLICATIONS. TO MAINTAIN ZONE 4 RATING, DUAL-CHARGER SYSTEM SHOULD BE LAGGED TO WALL USING SUPPLIED MOUNTING BRACKETS.
- FOR STYLE-5070 ENCLOSURE DETAILS, SEE DRAWING: JE5309-00 (ATEVO - 1PH) JE5331-00 (ATEVO - 3PH)
- BATTERY CHARGER SYSTEM WEIGHT: SEE PRODUCT LITERATURE AND ADD 50 lb / 22.6kg



DUAL DIMENSIONS in mm



			THIRD ANGLE PROJECTION				
			DRAWN BY KJB 113020	TITLE ATevo SERIES BATTERY CHARGER SYSTEM OUTLINE: VERTICAL DUAL-MOUNT STYLE-5070 ENCLOSURES			
			ELECTRONIC APPROVAL SIGNATURES MAINTAINED BY MFG ECN LOG		DRAWING No JE5223-50		REV A B
A	N/A	113020	UNLESS OTHERWISE NOTED DIMENSIONS ARE IN INCHES. TOLERANCES ARE:		SCALE NTS		PART No JE5223-50 SHEET 1 OF 1
REV	ECN No	DATE					