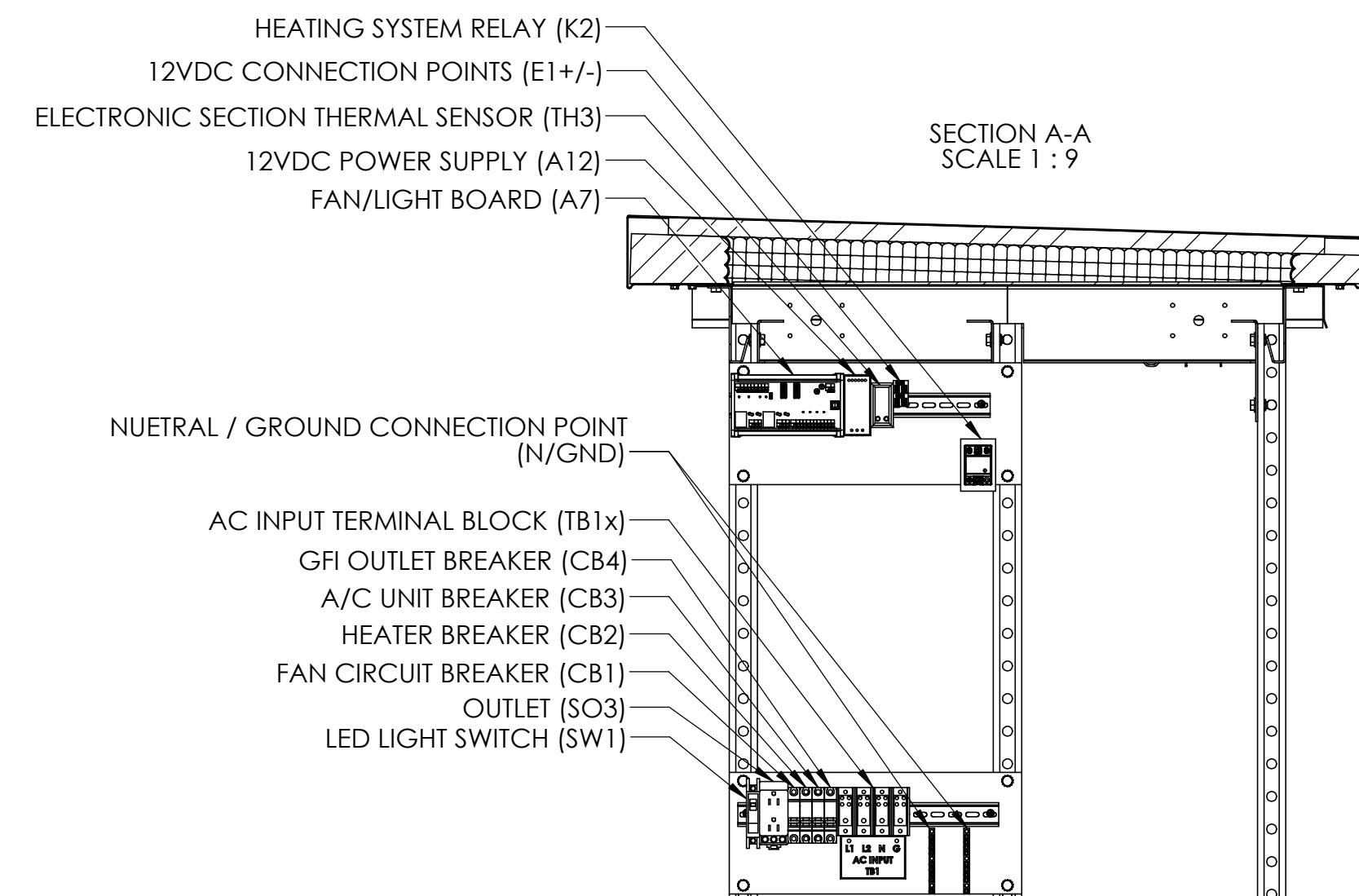
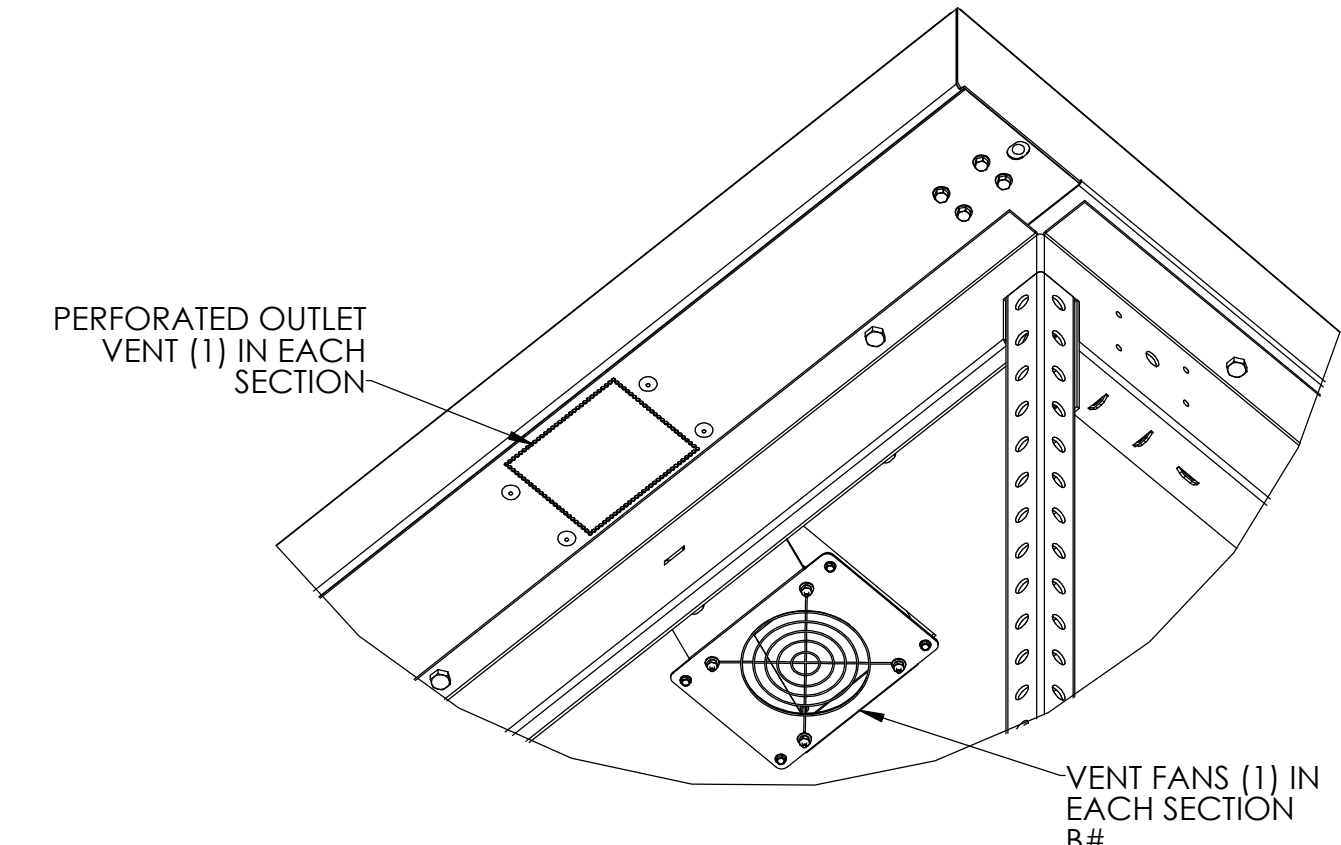
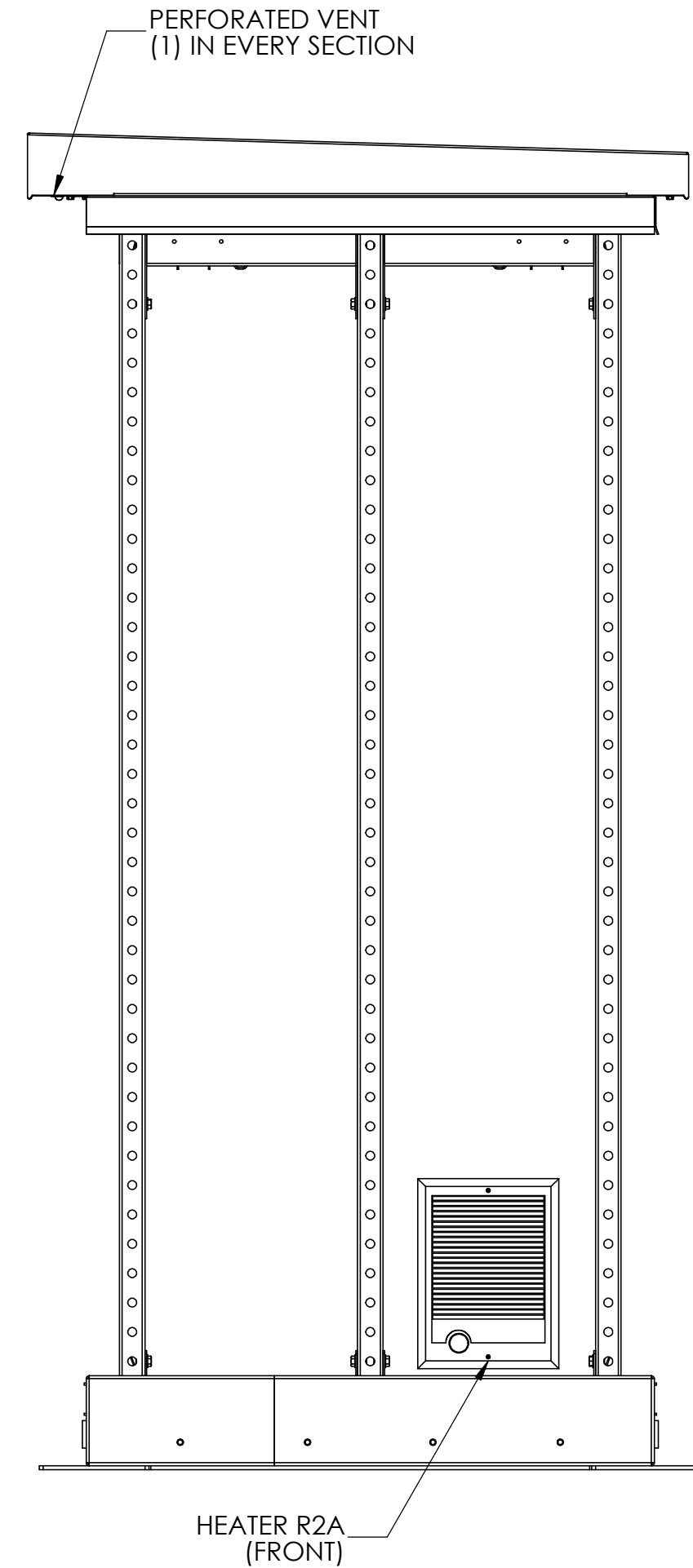
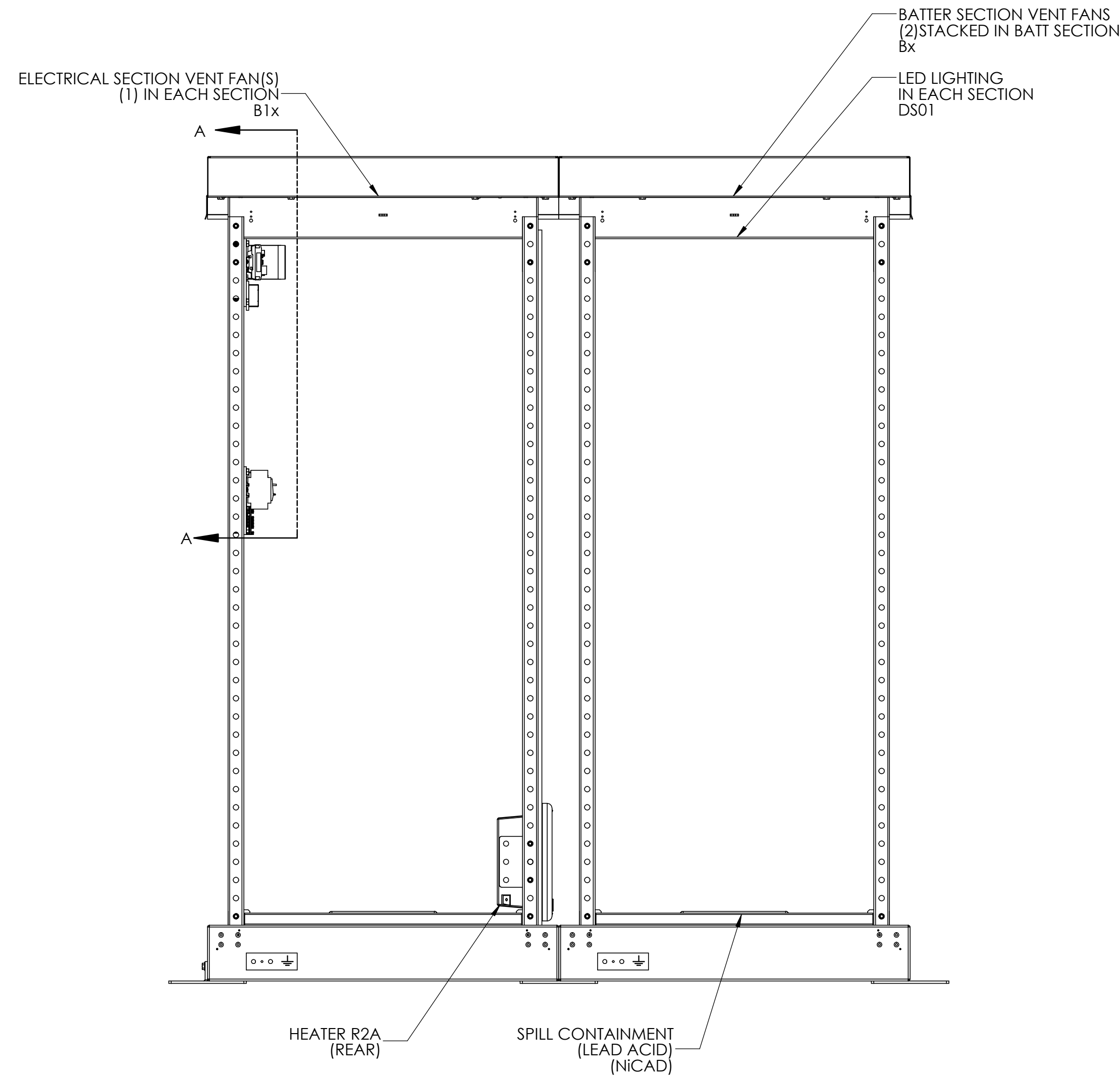
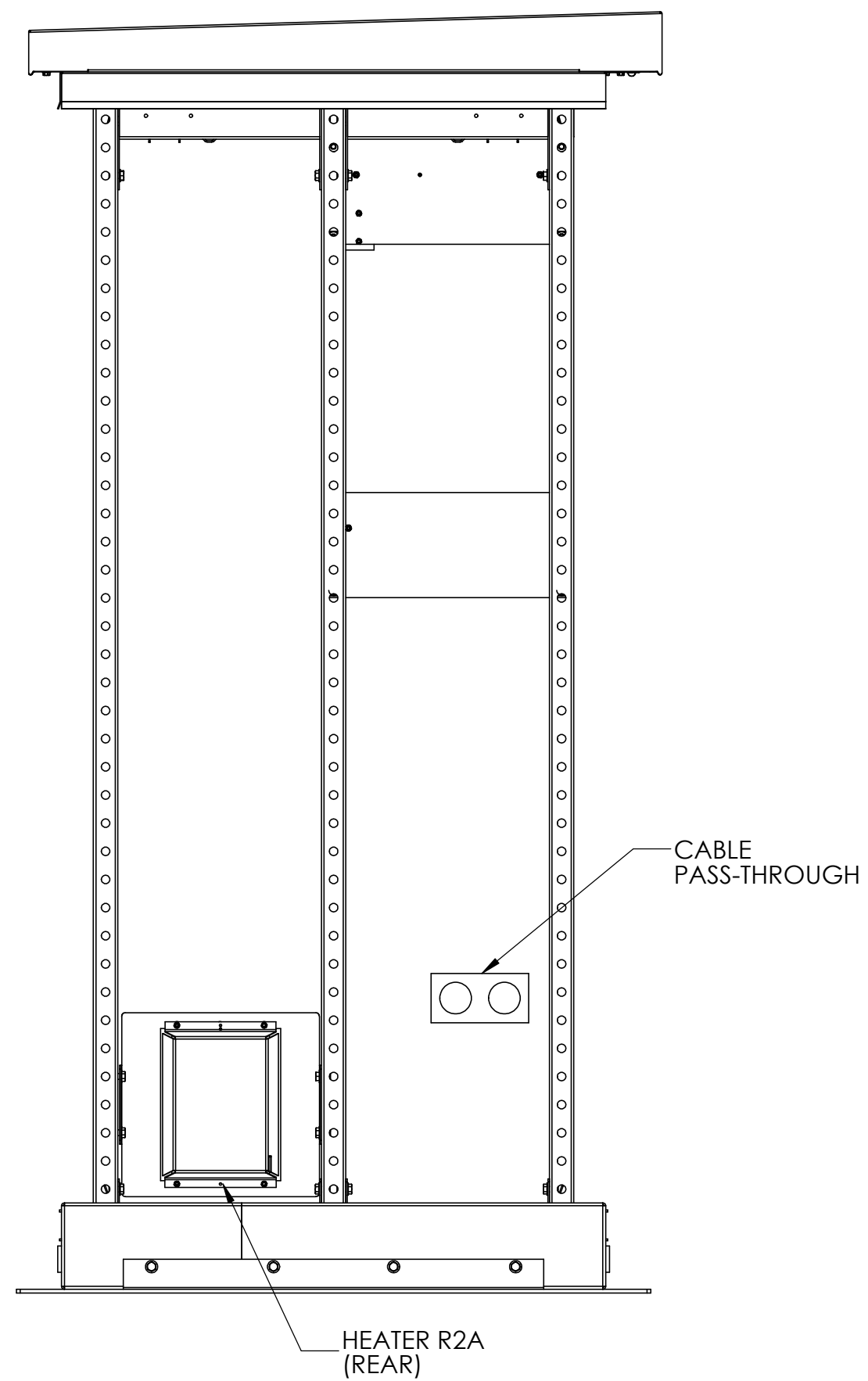


DESIGN NOTES:

- ENCLOSURE IS A NEMA-3R TYPE CABINET WITH GASKETING AND FOAM INJECTED PANELING. FINISH IS ANSI 61 GREY POWDERCOAT.
- HINGES MADE OF STAINLESS STEEL GRADE 316
- CONDUIT ENTRY PROVIDED THROUGH SIDE PANEL 10.5in BY 14in GLAND PLATE AVAILABLE FOR KNOCKOUT. SEE FOUNDATION DRAWINGS (JE5276-52) FOR KNOCKOUT LOCATIONS. CONDUIT ACCESS ALSO AVAILABLE FROM UNDERNEATH CABINET.
- LOCATE UNIT ONTO A PERMANENT, FLAT, AND LEVELED SURFACE, PREFERABLY CONCRETE OR OTHER FIREPROOF MATERIAL. SURFACE MUST BE CAPABLE OF SUPPORTING WEIGHT OF COMPLETE SYSTEM AND INSTALLED COMPONENTS. SEE FOUNDATION DRAWING (JE5276-52) FOR LOADING INFORMATION.
- VENTILATION AND THERMAL MANAGEMENT OF BATTERIES PER IEEE 1635. SEISMIC CERTIFICATION PER IEEE 693.
- THE WEIGHT OF THE CONSOLE WITHOUT BATTERIES IS 1076lb [488kg]
- FOR LIFTING, USE OPTIONAL STRAPPING SYSTEM (SEE E15196-02).

REV DRN CHK APP DATE	DRN BY DATE	CHK BY DATE	APP BY DATE	TITLE
B KJB RCF RCF 04/26/24	KJB 04/26/24	KJB 04/26/24	RCF 04/26/24	EPIC SERIES 2.0 CONSOLE
DESCRIPTION				OUTLINE: NEMA 3R 5063 ENCL
UPDATED DESIGN				SALES ORDER No. N/A
<small>UNLESS OTHERWISE SPECIFIED: ALL DIMENSIONS TO CENTER LINE DIMENSIONS IN PARENTHESES ARE IN INCHES DIMENSIONS IN BRACKETS ARE IN MILLIMETERS DEC = 0.010, ANG = 0.25°</small>				
<small>© 2024 HindlePower Inc. All rights reserved. www.hindlepower.com</small>				SCALE: 1:12 DWG No: JE5269-52 REV: B SHEET: 1 OF 1

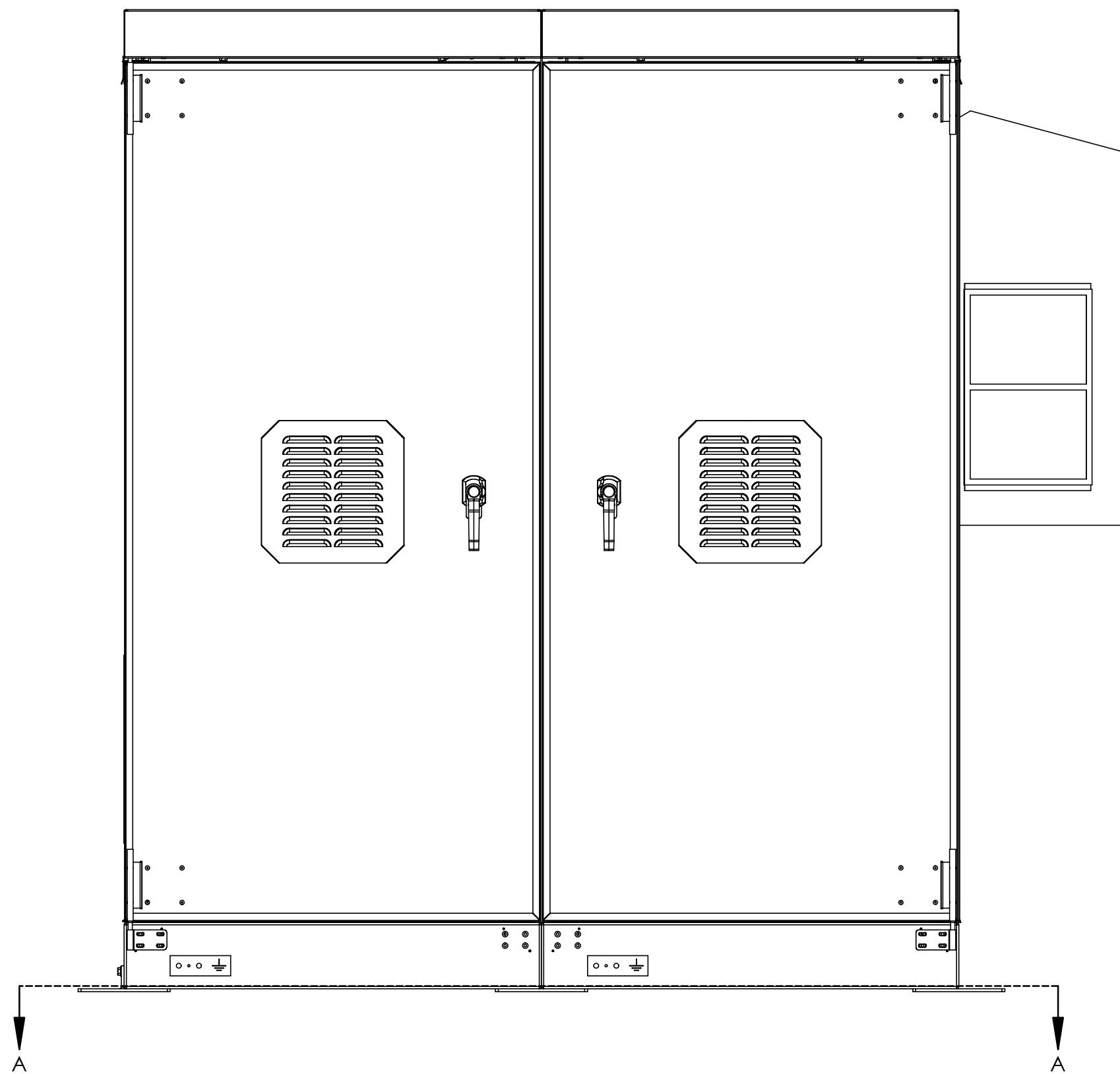
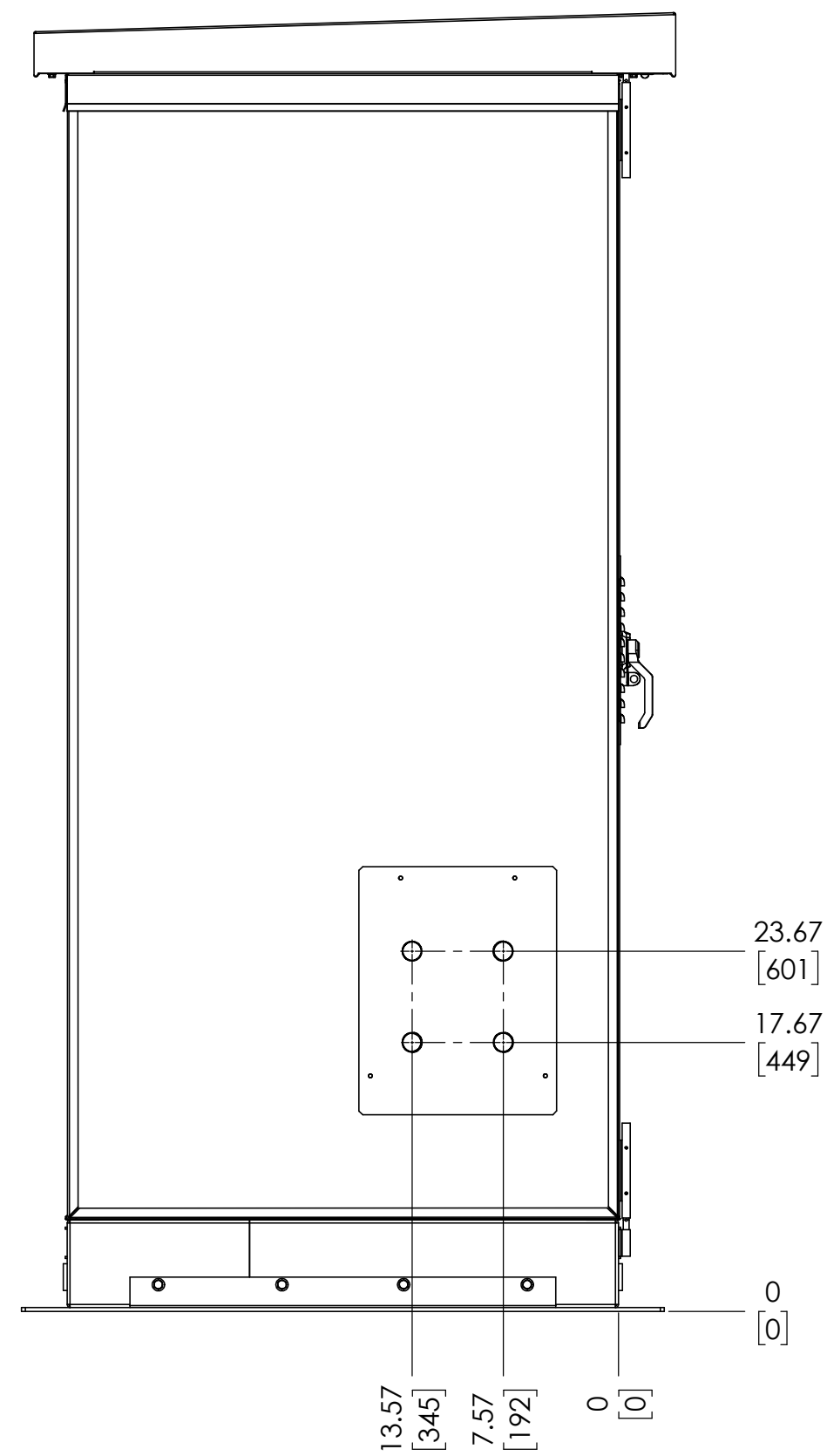


FAN AND LIGHT BOARD (A7) ALARM INDICATOR LEDES	
LED	ALARM DESCRIPTION
INPUT 1	HVAC ALARM
INPUT 2	Available
INPUT 3	Available
INPUT 4	Available
FAN 1	FAIL
FAN 2	ON

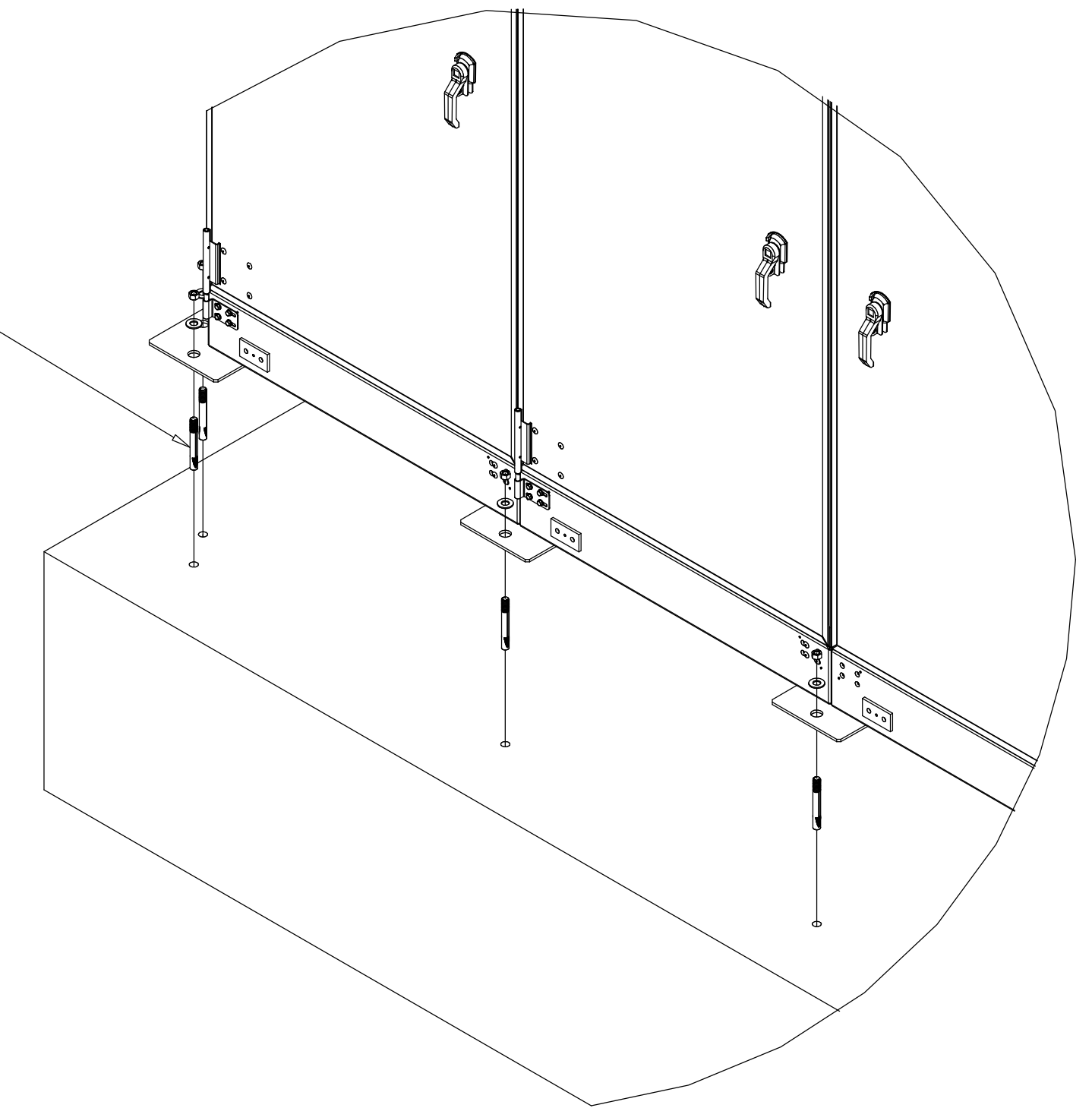
SEE MANUAL FOR MORE DETAIL ON ALARM INPUTS

- NOTES:
- TO PROVIDE A CLEAR VIEW OF THE CONSOLE INTERNAL COMPONENTS, THE FOLLOWING ITEMS ARE NOT SHOWN:
 - FRONT DOORS W/ EYE WASH
 - REAR PANELS/DOORS
 - LEFT AND RIGHT SIDE PANELS
 - DO NOT LIFT, PUSH OR RELOCATE THE EPIC CONSOLE WITH BATTERIES INSTALLED WITHIN ENCLOSURE.
 - BATTERY TYPE: ## (# JARS)

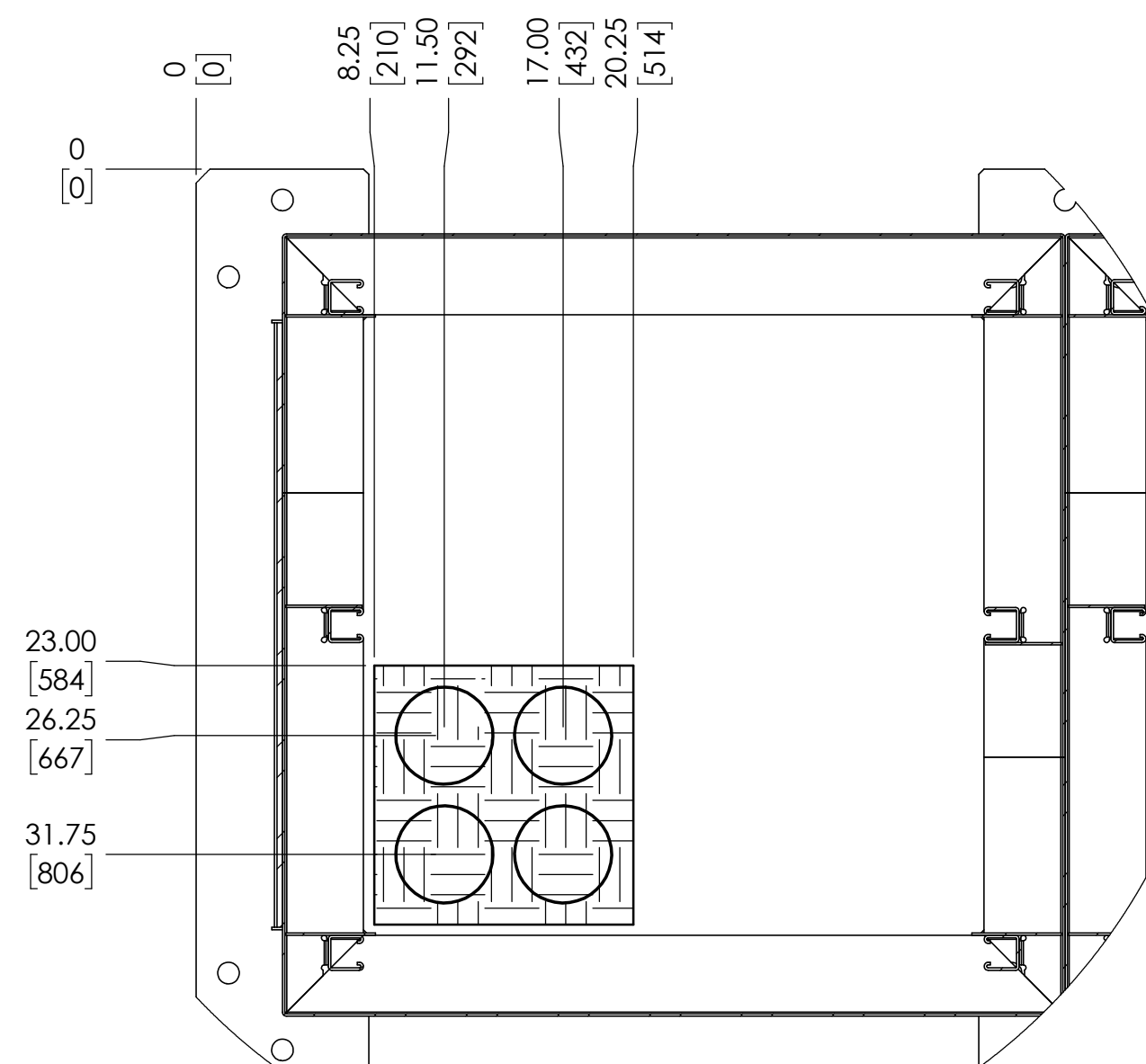
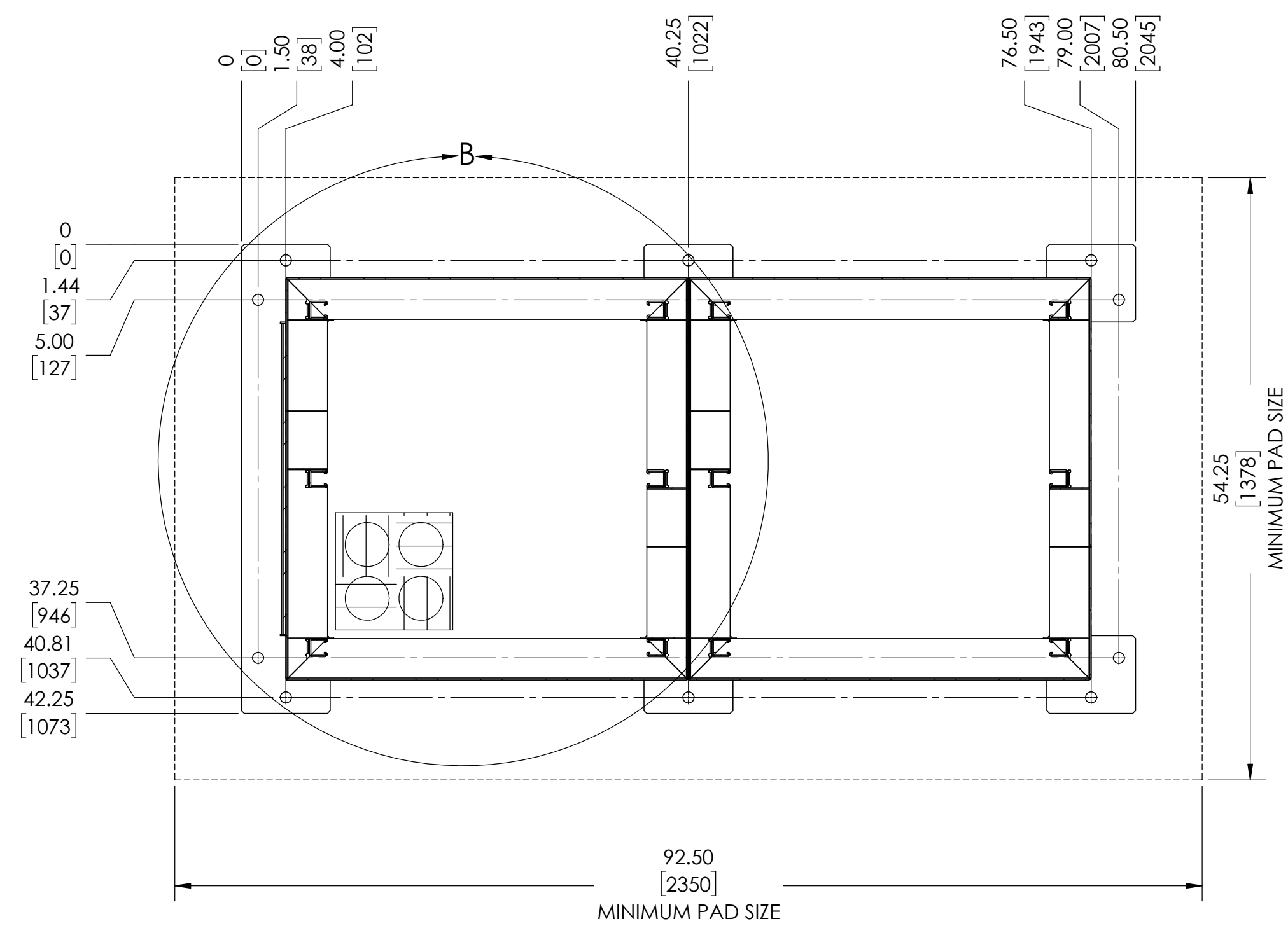
REV DRN BY CHK BY APP BY DATE	DRN BY DATE		EPIC SERIES 2.0 CONSOLE INTERNAL LAYOUT: 1 ELEC. / 1 BATT. SALES ORDER No. N/A
B KJB RCF RCF 04/26/24	KJB 04/26/24		
DESCRIPTION	CHK BY DATE	<small>UNLESS OTHERWISE SPECIFIED ALL DIMENSIONS FOLLOW THE ANSI OVER SIZE (INCHES POUNDS & SECONDS) TOLERANCES ARE: FINIC: ±.004 DEC: ±.010 (M2.5)</small>	
UPDATED DESIGN	RCF 04/26/24	TITLE: D SCALE: 1:10 DWG No: JE5270-52 REV: B SHEET: 1 OF 1	



NOTE 2



SECTION A-A
MOUNTING DIMENSIONS

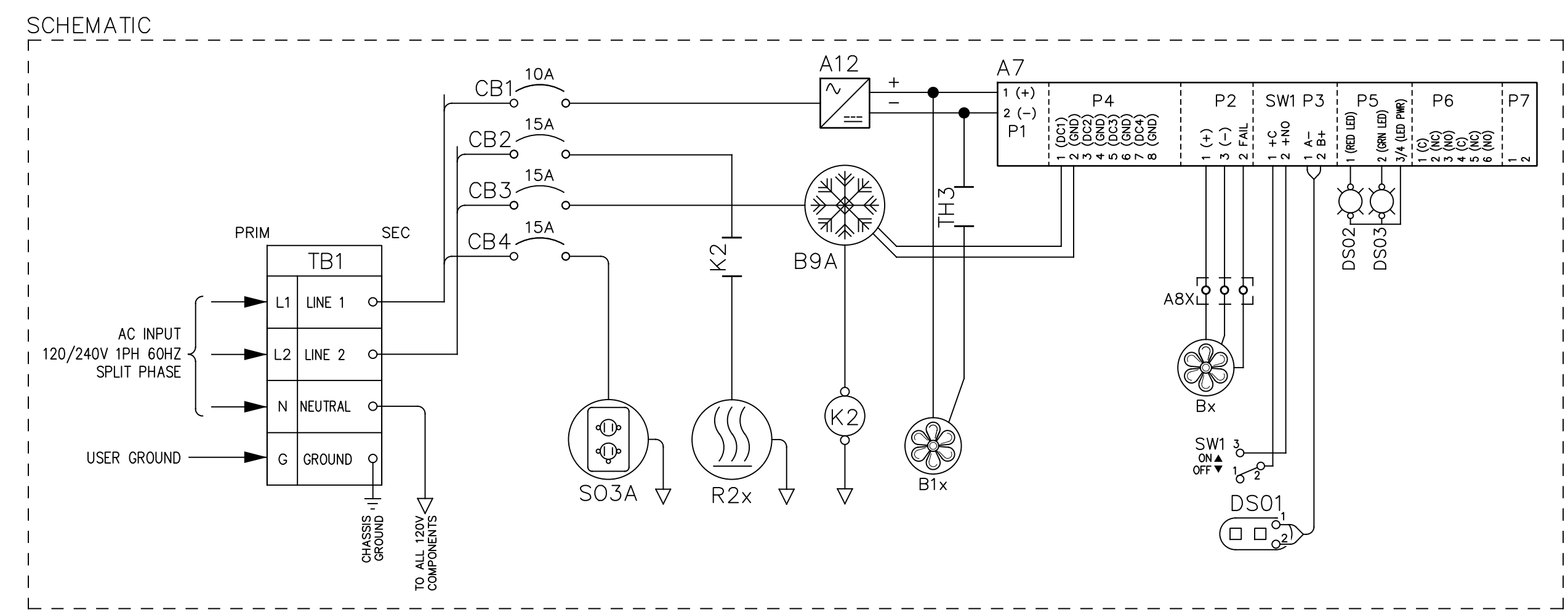
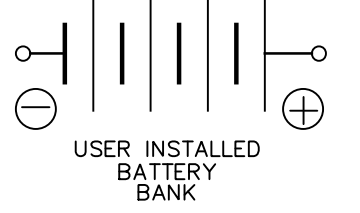
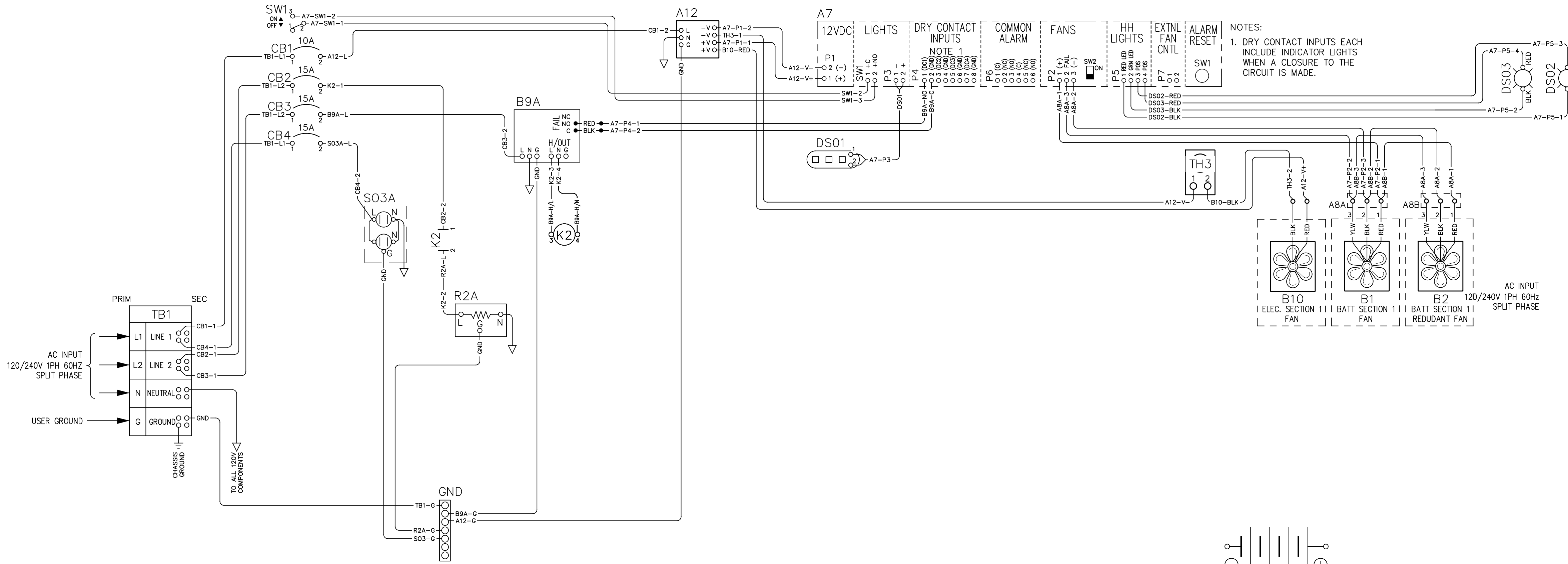


DETAIL B
SCALE 1 : 8

NOTES:

1. MOUNTING DIMENSIONS SHOWN ON DRAWING ARE FINAL. WE RECOMMEND PLACING CONSOLE, THEN DRILLING FOR MOUNTING ANCHORS.
2. ANCHOR BOLTS ARE TO BE HILTI M12 HDA-TR STAINLESS STEEL UNDERCUT (OR EQUIVALENT). HOLE DEPTH TO BE MINIMUM OF 5.3" [135mm], PAD DEPTH TO BE MINIMUM OF 8.0" [203mm]
3. CONCRETE PAD TO EXTEND A MINIMUM OF 6" [153mm] FROM EDGE OF CABINET ON ALL SIDES. SEE MOUNTING DIMENSIONS BELOW. THE WEIGHT OF THE CONSOLE WITH BATTERIES (SPECIFIED IN PURCHASE ORDER) IS 1076lb [488kg]
4. CONCRETE PAD TO BE 4000 psi OR GREATER.
5. ELECTRICAL CONDUIT MAY ENTER FROM UNDERNEATH CABINET, BUT ONLY THROUGH STUB-UP LOCATIONS SHOWN IN DETAIL B.
6. CONDUIT ENTRY PROVIDED THROUGH SIDE PANEL 10.5in BY 14in GLAND PLATE AVAILABLE FOR KNOCKOUT. KNOCKOUTS MAY NOT BE VISIBLE, USE DIMENSIONS TO VERIFY BREAKAWAY POINTS.

REV DRN BY CHK BY APP BY DATE	DRN BY DATE		1075 East 100th Street Suite 100 - 1000 East Aurora, CO 80016 www.hindlepower.com
B KJB RCF RCF 04/26/24	KJB 04/26/24		
DESCRIPTION	CHK BY DATE	EPIC SERIES 2.0 CONSOLE FOUNDATION DRAWINGS SALES ORDER No. N/A	
UPDATED DESIGN	RCF 04/26/24	SCALE: 1:11 SHEET 1 OF 1	
APP BY DATE RCF 04/26/24		TITLE EPIC SERIES 2.0 CONSOLE FOUNDATION DRAWINGS SALES ORDER No. N/A	
ALL DIMENSIONS UNLESS OTHERWISE SPECIFIED ARE IN INCHES (PARENS & DECIMALS) (UNLESS OTHERWISE SPECIFIED) DEC = 1/16, 1/8, 1/4, 3/8, 1/2, 5/8, 3/4, 7/8		SCALE: 1:11 SHEET 1 OF 1	



EPIC SERIES COMPONENTS

SYMBOL	DESCRIPTION
A7	FAN/LIGHT BOARD
A8x	FAN BOARD(S)
A12	12VDC POWER SUPPLY
B9x	AIR CONDITIONING UNIT(S)
Bx	BATTERY SECTION VENT FANS
B1x	ELECTRIC SECTION VENT FANS
CB1	CIRCUIT BREAKER FOR A12 P/S
CB2	CIRCUIT BREAKER FOR HEATER
CB3	CIRCUIT BREAKER FOR AIR CONDITIONER
CB4	CIRCUIT BREAKER FOR GFI OUTLET
DS01	CONSOLE LED LIGHTS
DS02	RED LED
DS03	GREEN LED
E2	HEAT AND AC TERMINAL BLOCK
K2	HEATER SYSTEM RELAY
R2x	HEATER
SO3x	15A GFI OUTLET(S)
SW1	CONSOLE LED LIGHT SWITCH
TB1	AC INPUT TERMINAL BLOCK
TH3	ELECTRONIC SECTION THERMAL SENSOR

LEGEND FOR EPIC LINE

SYMBOL	DESCRIPTION
○	DEVICE TERMINAL
⊙	TERMINAL BLOCK POINT IN TRANSFORMER
⊚	TERMINAL BLOCK POINT FOR SCADA
⊛	TERMINAL BLOCK POINT FOR COMMUNICATIONS
⊜	TERMINAL BLOCK POINT IN POWER CIRCUIT BREAKER
▲	TERMINAL IN A.C. OR D.C. PANELBOARD
—	SHIPPED WITH WIRING INSTALLED
- - -	WIRING TO BE INSTALLED

I/O TERMINAL	DESCRIPTION - TYPE	CONNECTION
TB1 PRIM	L1, L2, AC INPUT / USER NTRL, GND TERMINALS - CU-ALUMINUM COMP LUG	(1) 2/0-#14 AWG
TB1 SEC	LINE 1, LINE 2 AC INPUT / USER NTRL, GND TERMINALS - CU-ALUMINUM COMP LUG	(4) #4-#14 AWG

REV: 10/18/2024	DRN BY: KJB	DATE: 10/18/21		1075 Solt John Street Easton, PA 18042-6661 PH 610-330-9000 FAX 610-330-8810 www.handlepowerinc.com
CHK BY: CMF	DATE: 10/18/21	DATE: 10/18/21		
DESCRIPTION: STANDARD DRAWINGS TITLE: EPIC SERIES 2.0 CONSOLE CONNECTION DIAGRAM: 1 ELEC. SECTION 1 BATT SECTION SALES ORDER NO. N/A			SCALE: DWG NO: JE5272-52 SHEET: 1 OF 1	