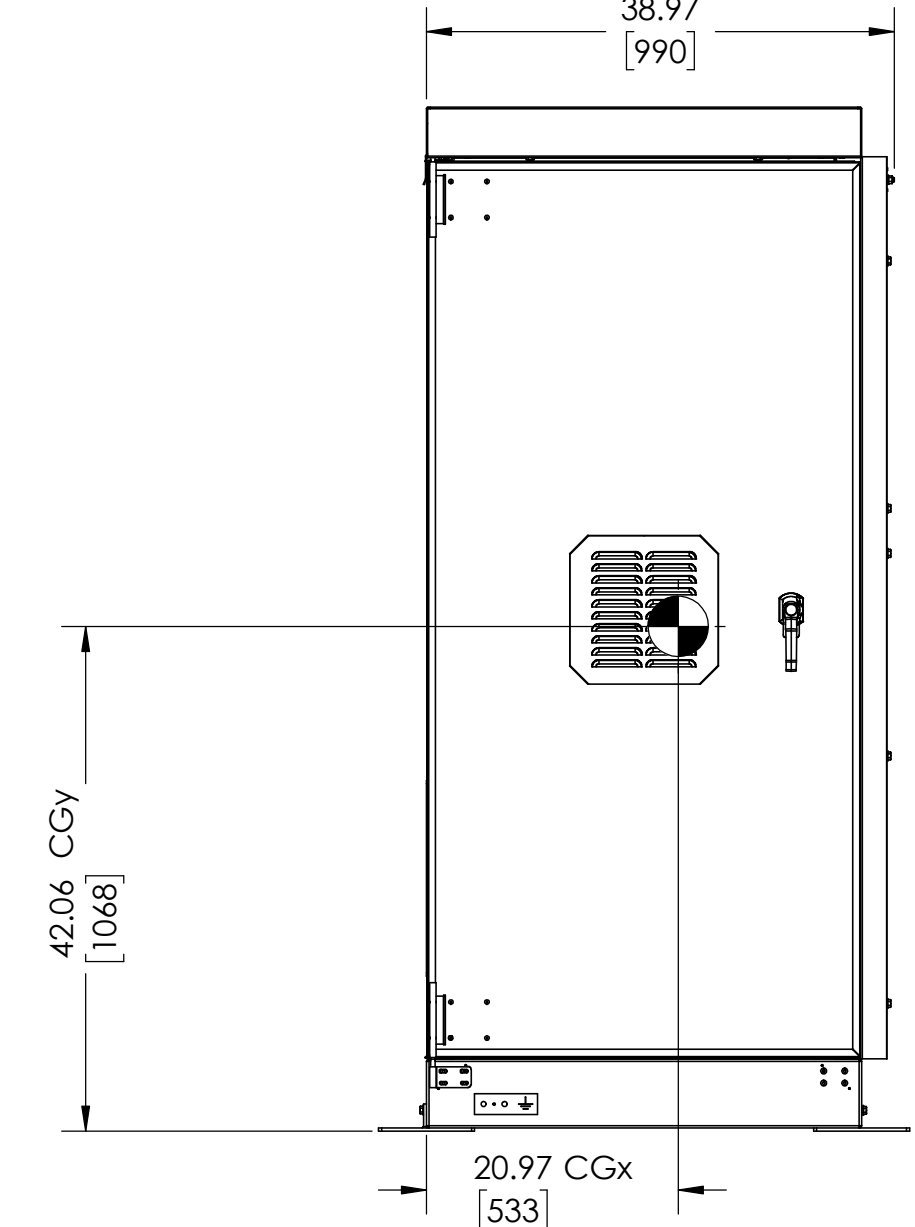
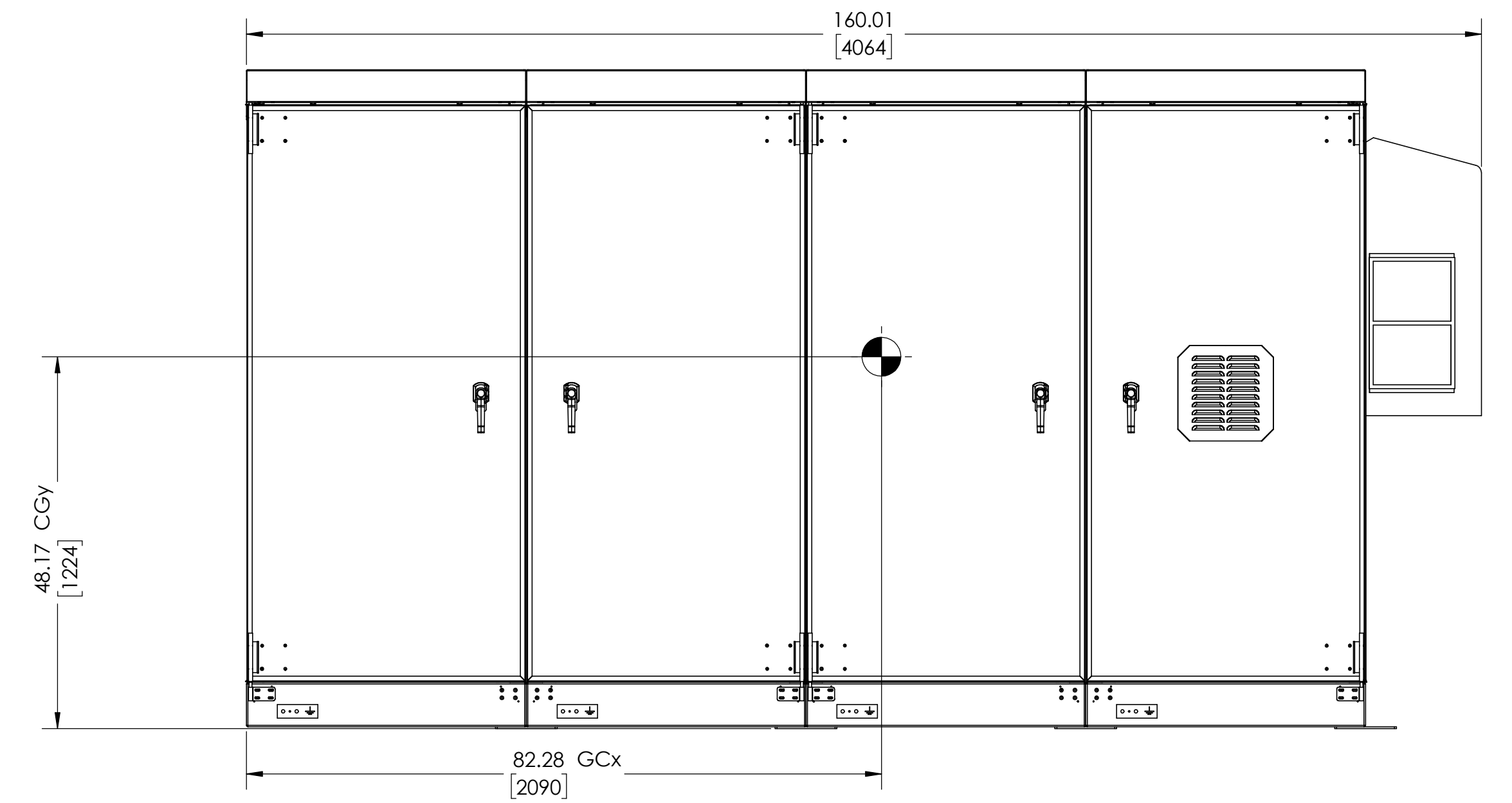


1ST SHIPPED SECTION
WEIGHT: 556lbs [252kg]

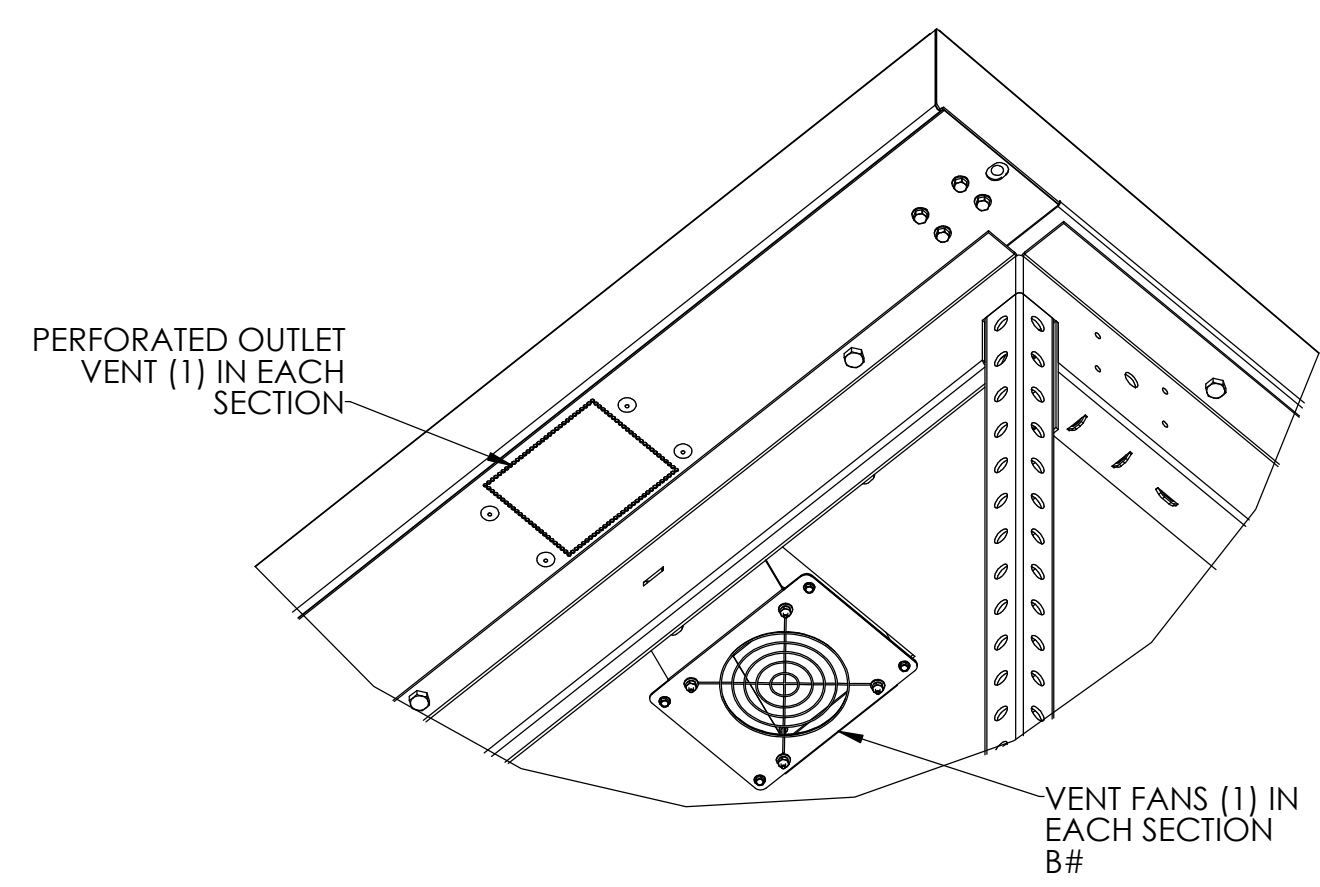
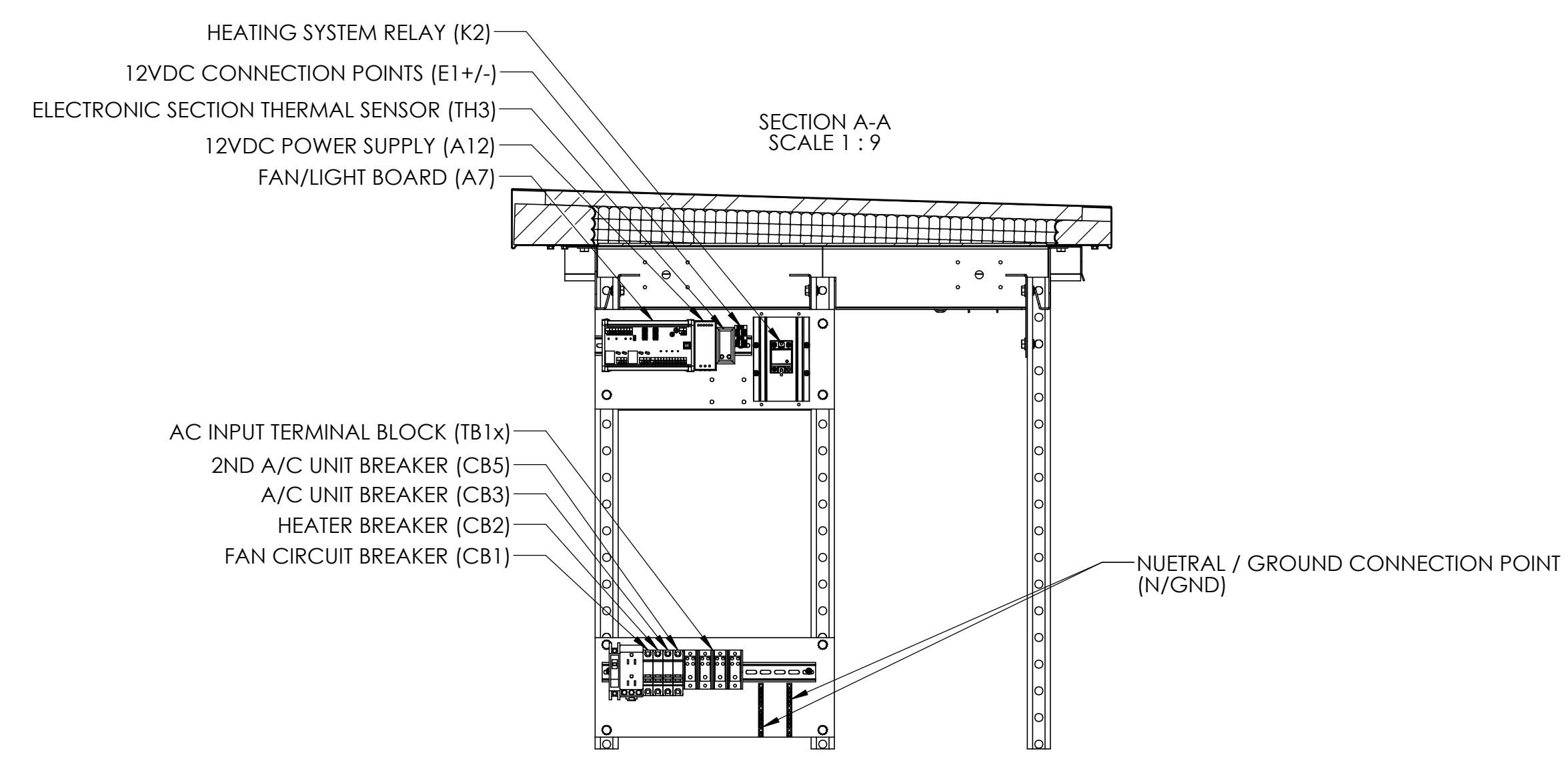
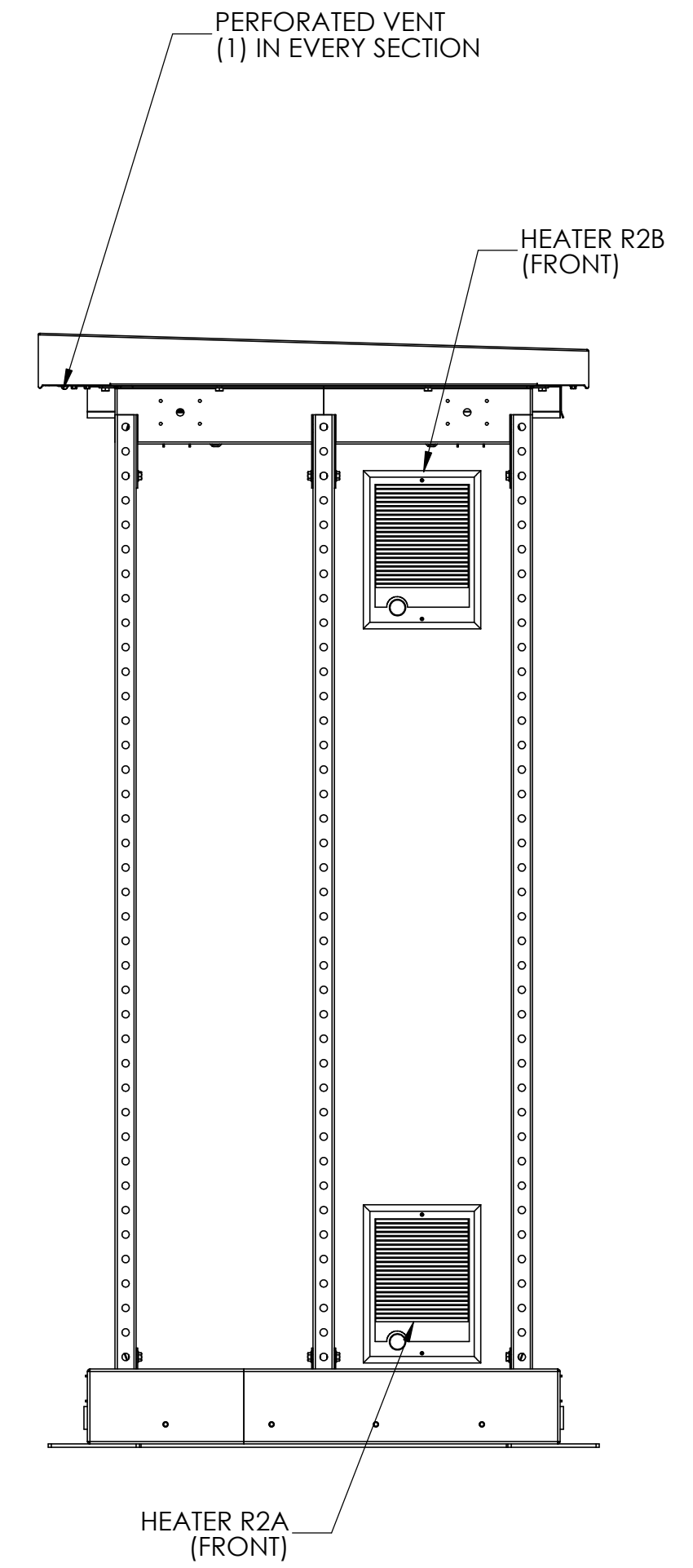
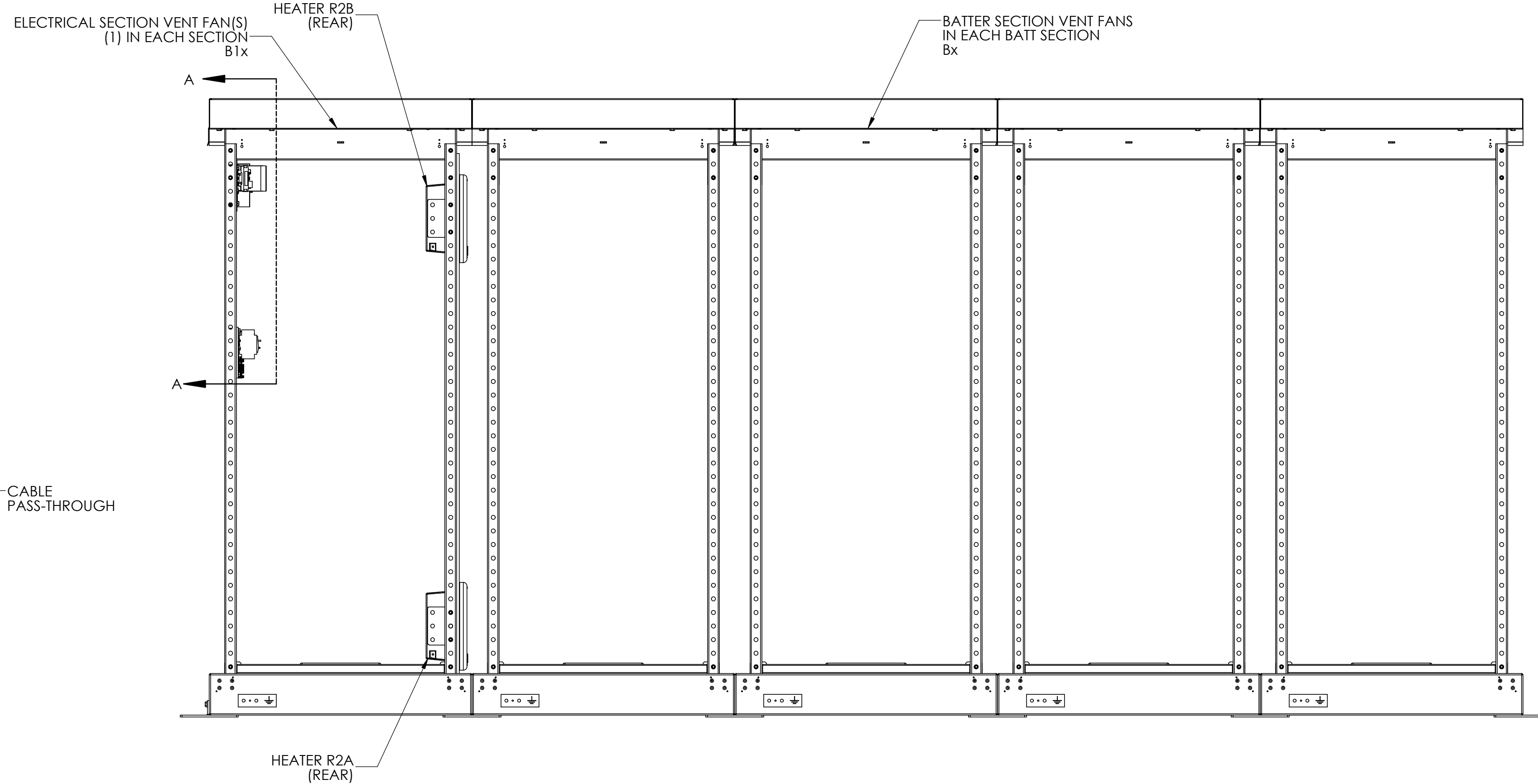
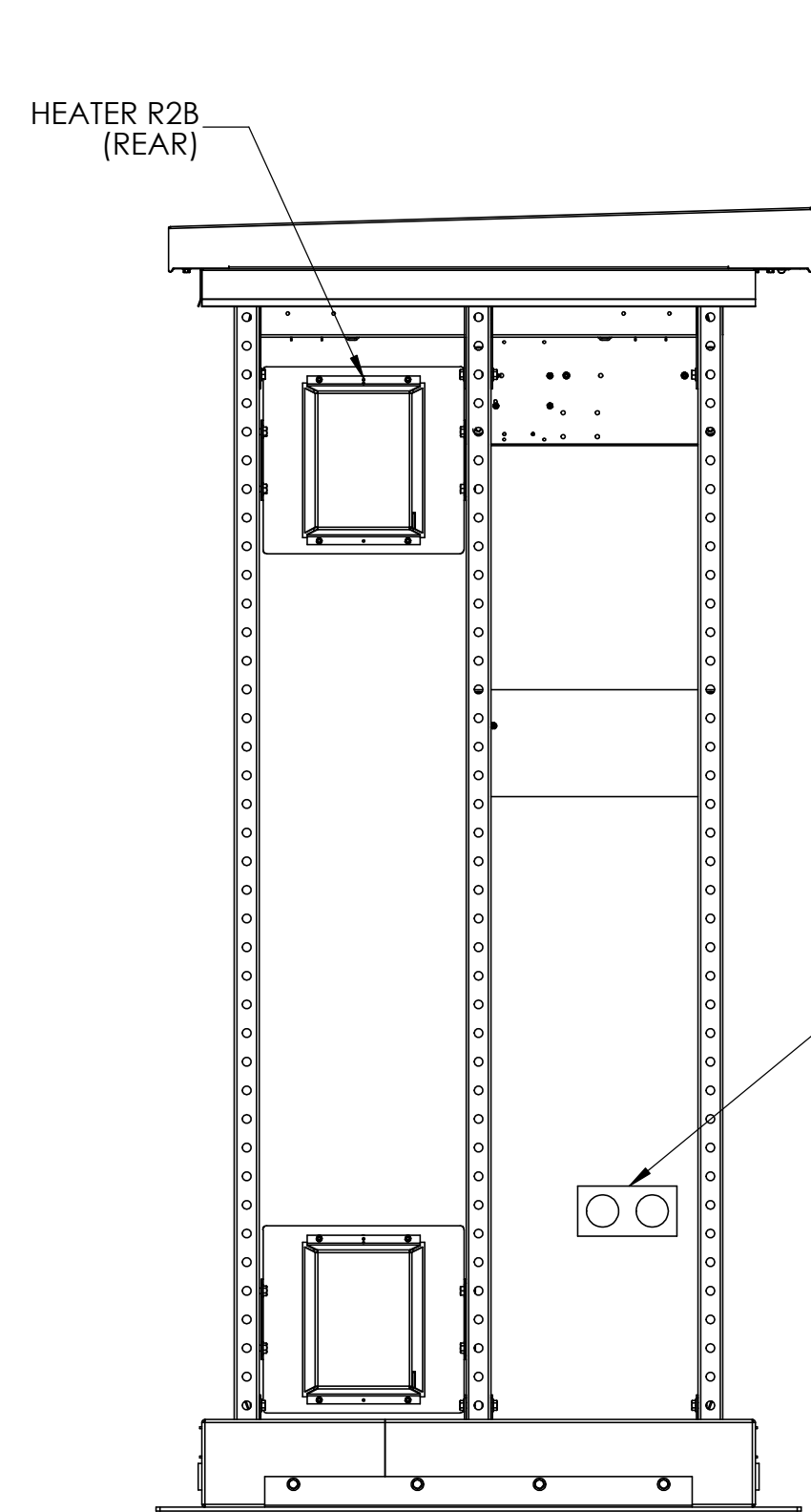


2ND SHIPPED SECTION
WEIGHT: 1702lb [772kg]



- DESIGN NOTES:
- ENCLOSURE IS A NEMA-3R TYPE CABINET WITH GASKETING AND FOAM INJECTED PANELING. FINISH IS ANSI 61 GREY POWDERCOAT.
 - HINGES MADE OF STAINLESS STEEL GRADE 316
 - CONDUIT ENTRY PROVIDED THROUGH SIDE PANEL 10.5in BY 14in GLAND PLATE AVAILABLE FOR KNOCKOUT. SEE FOUNDATION DRAWINGS (JE5276-55) FOR KNOCKOUT LOCATIONS. CONDUIT ACCESS ALSO AVAILABLE FROM UNDERNEATH CABINET.
 - LOCATE UNIT ONTO A PERMANENT, FLAT, AND LEVELED SURFACE, PREFERABLY CONCRETE OR OTHER FIREPROOF MATERIAL. SURFACE MUST BE CAPABLE OF SUPPORTING WEIGHT OF COMPLETE SYSTEM AND INSTALLED COMPONENTS. SEE FOUNDATION DRAWING (JE5276-55) FOR LOADING INFORMATION.
 - VENTILATION AND THERMAL MANAGEMENT OF BATTERIES PER IEEE 1635. SEISMIC CERTIFICATION PER IEEE 693.
 - THE WEIGHT OF THE CONSOLE WITHOUT BATTERIES IS 2257lb [1024kg]
 - FOR LIFTING, USE OPTIONAL STRAPPING SYSTEM (SEE E15196-02).

REV	DRN BY	CHK BY	APP BY	DATE	DRN BY	DATE	DRN BY	DATE		HINDLEPOWER EPIC SERIES 2.0 CONSOLE OUTLINE: NEMA 3R 5063 ENCL SALES ORDER No. N/A	035 5063 2024 Rev 001 10/20/24 10:10:00 AM www.hindlepower.com		
1	KJB	RCF	RCF	05/20/24	KJB	04/17/24	KJB	04/17/24					
DESCRIPTION				UPDATED DESIGN	CHK BY	DATE	APP BY	DATE	TITLE				
					RCF	04/17/24	RCF	04/17/24					
					RCF	04/17/24	RCF	04/17/24					
<small>UNLESS OTHERWISE SPECIFIED ALL DIMENSIONS TO CENTER LINE UNLESS INDICATED OTHERWISE IN INCHES (POUNDS & SECONDS) TO DIMENSIONS ARE PER ASME Y14.5 DEC 2015, AND 2.5F </small>										SCALE	DWG No	REV	SHEET
										1:16		1	1 OF 1

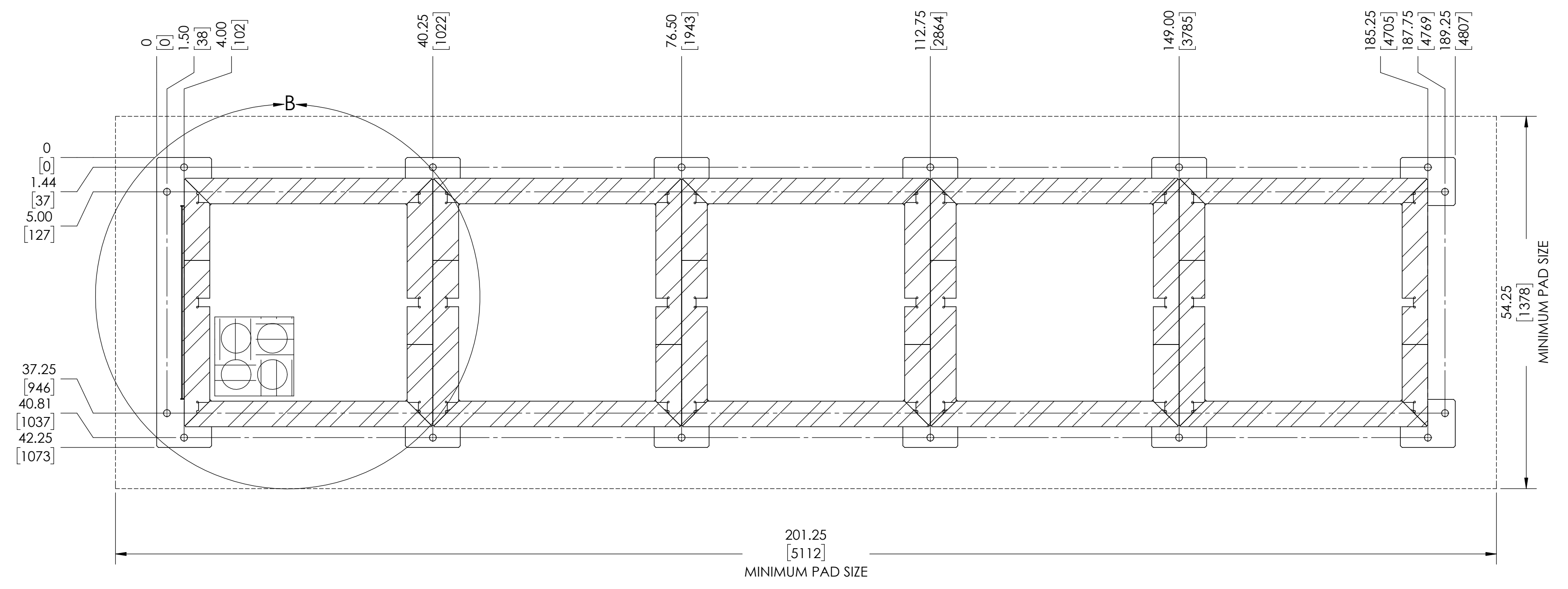
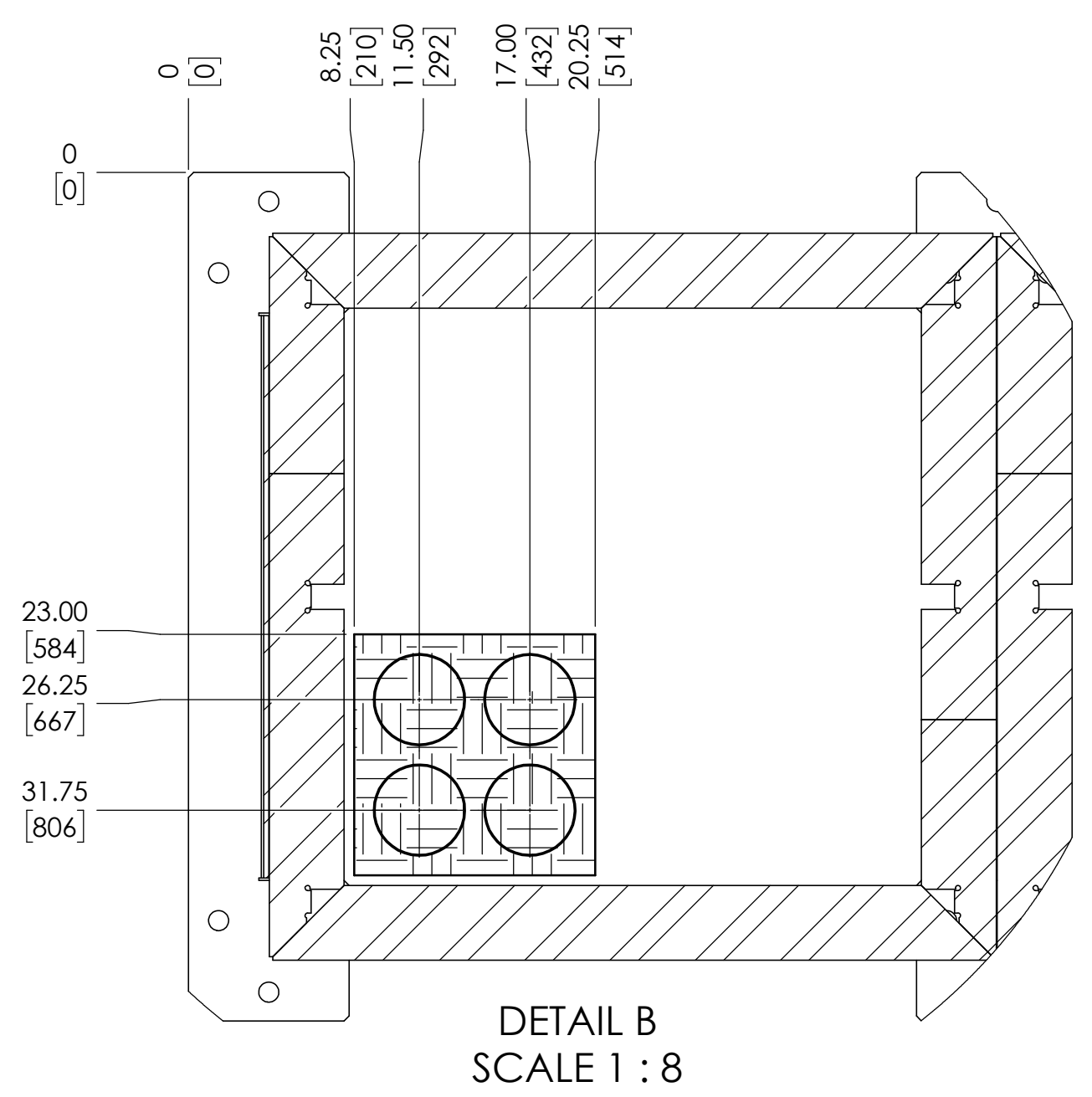
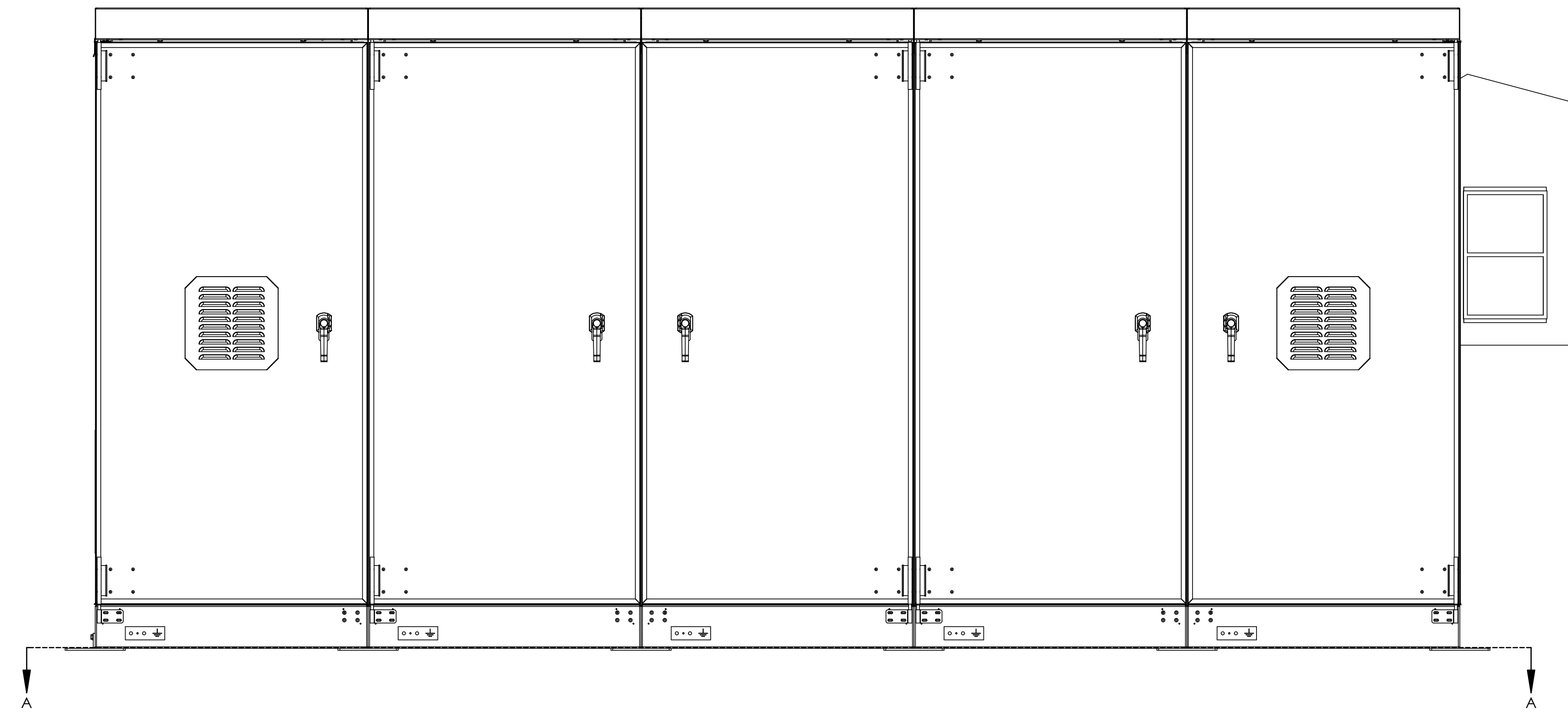
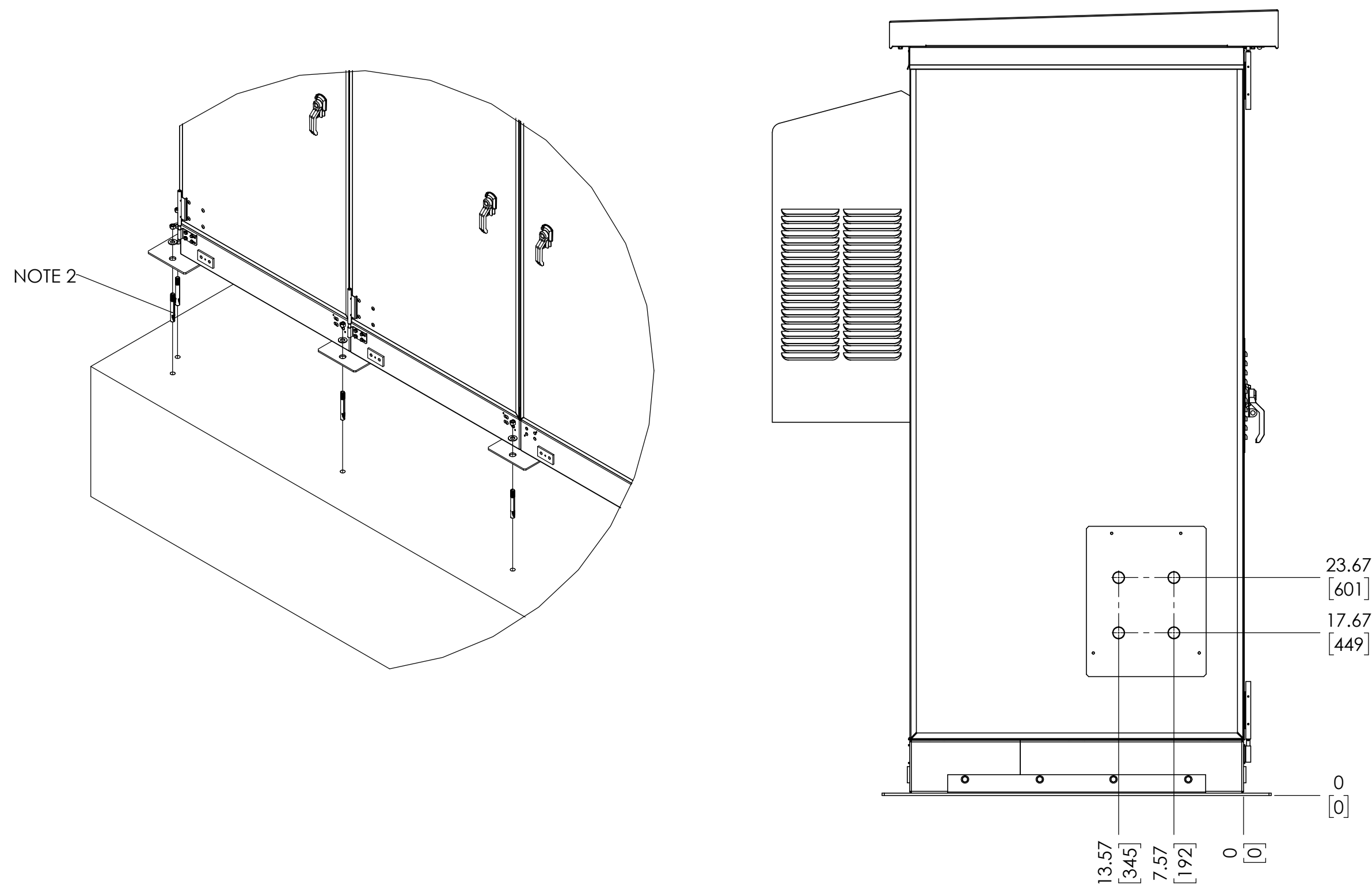


FAN AND LIGHT BOARD (A7) ALARM INDICATOR LEDES	
LED	ALARM DESCRIPTION
INPUT 1	HVAC ALARM
INPUT 2	N/A
INPUT 3	CHARGER ALARM
INPUT 4	N/A
FAN 1	FAIL
FAN 2	ON

SEE MANUAL FOR MORE DETAIL ON ALARM INPUTS

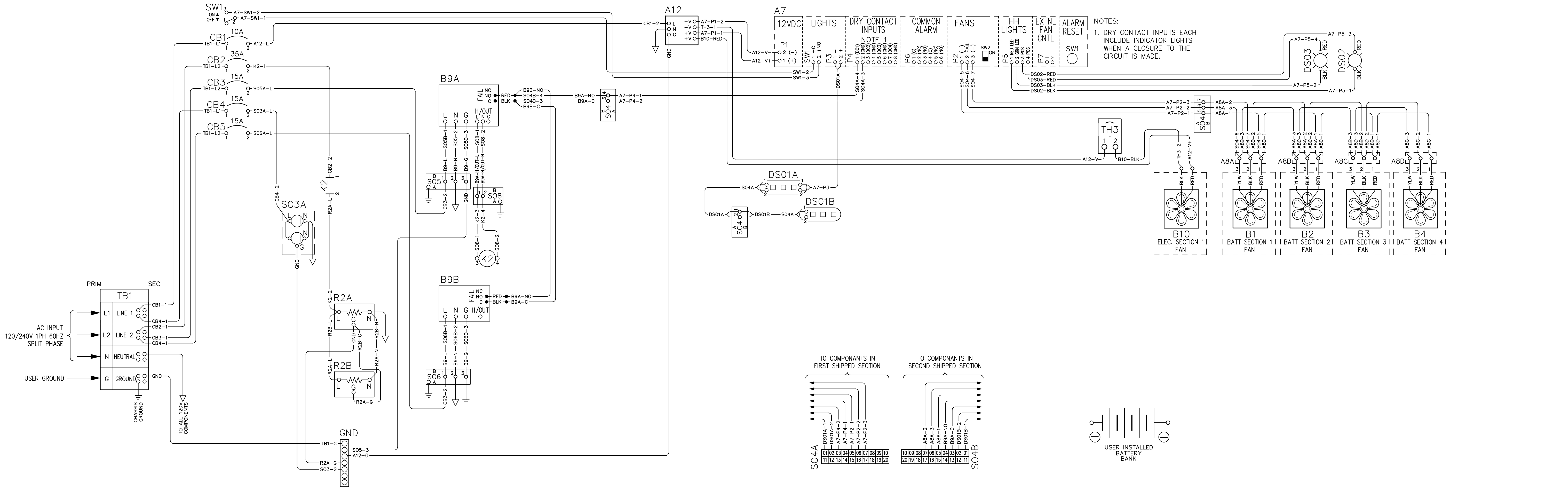
- NOTES:
- TO PROVIDE A CLEAR VIEW OF THE CONSOLE INTERNAL COMPONENTS, THE FOLLOWING ITEMS ARE NOT SHOWN:
 - FRONT DOORS W/ EYE WASH
 - REAR PANELS/DOORS
 - LEFT AND RIGHT SIDE PANELS
 - DO NOT LIFT, PUSH OR RELOCATE THE EPIC CONSOLE WITH BATTERIES INSTALLED WITHIN ENCLOSURE.
 - BATTERY TYPE: ## (## JARS)

REV 1	DRN BY KJB	CHK BY RCF	APP BY RCF	DATE 05/20/24	DRN BY KJB	DATE 04/17/24	CHK BY RCF	DATE 04/17/24	APP BY RCF	DATE 04/17/24	TITLE	DESCRIPTION	
UPDATED DESIGN													
<p>UNLESS OTHERWISE SPECIFIED ALL DIMENSIONS FOLLOW THE ANSI OVER SIZE (INCHES POUNDS & SECONDS) TOLERANCES ARE: FINISH 1/16" DEC 2.0113 1/16" 2.5"</p>													
<p>EPIC SERIES 2.0 CONSOLE INTERNAL LAYOUT: 1 ELEC. / 4 BATT. SALES ORDER No. N/A</p>													
										SCALE 1:12	DWG No. JE5270-55	REV 1	SHEET 1 OF 1

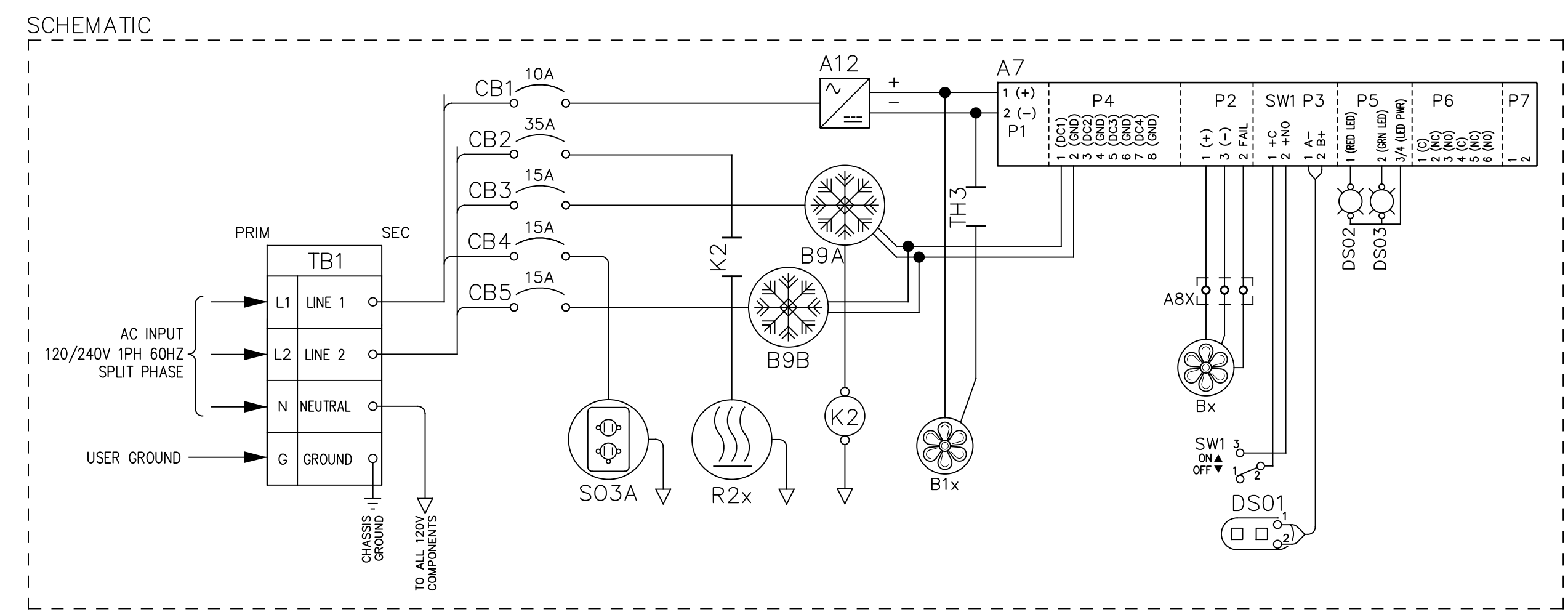
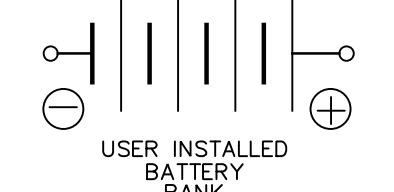
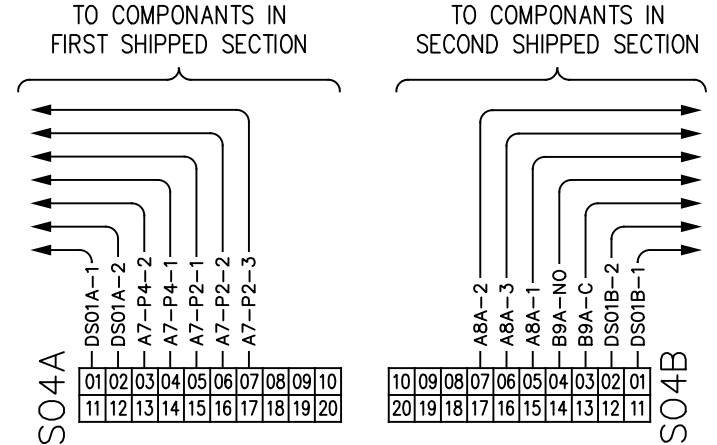


- NOTES:
1. MOUNTING DIMENSIONS SHOWN ON DRAWING ARE FINAL. WE RECOMMEND PLACING CONSOLE, THEN DRILLING FOR MOUNTING ANCHORS.
 2. ANCHOR BOLTS ARE TO BE HILTI M12 HDA-TR STAINLESS STEEL UNDERCUT (OR EQUIVALENT). HOLE DEPTH TO BE MINIMUM OF 5.3" [135mm], PAD DEPTH TO BE MINIMUM OF 8.0" [203mm]
 3. CONCRETE PAD TO EXTEND A MINIMUM OF 6" [153mm] FROM EDGE OF CABINET ON ALL SIDES. SEE MOUNTING DIMENSIONS BELOW. THE WEIGHT OF THE CONSOLE WITH BATTERIES (SPECIFIED IN PURCHASE ORDER) IS 2257lb [1024kg]
 4. CONCRETE PAD TO BE 4000 psi OR GREATER.
 5. ELECTRICAL CONDUIT MAY ENTER FROM UNDERNEATH CABINET, BUT ONLY THROUGH STUB-UP LOCATIONS SHOWN IN DETAIL B.
 6. CONDUIT ENTRY PROVIDED THROUGH SIDE PANEL 10.5in by 14in GLAND PLATE AVAILABLE FOR KNOCKOUT. KNOCKOUTS MAY NOT BE VISIBLE, USE DIMENSIONS TO VERIFY BREAKAWAY POINTS.

REV: 1	DRN BY: KJB	CHK BY: RCF	APP BY: RCF	DATE: 05/20/24	DRN BY: KJB	DATE: 04/17/24		HANDLEPOWER EPIC SERIES 2.0 CONSOLE FOUNDATION DRAWINGS SALES ORDER No. N/A
DESCRIPTION: UPDATED DESIGN	CHK BY: RCF	DATE: 04/17/24	APP BY: RCF	DATE: 04/17/24	DATE: 04/17/24	ALL DIMENSIONS UNLESS OTHERWISE SPECIFIED ARE IN INCHES-FRACTIONS & DECIMALS. (INCHES-FRACTIONS & DECIMALS) DEC: 1/16, 1/8, 1/4, 3/8, 1/2, 5/8, 3/4, 7/8, 1		
SCALE: 1:12							TITLE: EPIC SERIES 2.0 CONSOLE FOUNDATION DRAWINGS SALES ORDER No. N/A	SHEET: 1 OF 1



NOTES:
1. DRY CONTACT INPUTS EACH INCLUDE INDICATOR LIGHTS WHEN A CLOSURE TO THE CIRCUIT IS MADE.



I/O TERMINAL	DESCRIPTION - TYPE	CONNECTION
TB1 PRIM	L1, L2, AC INPUT / USER NTRL, GND TERMINALS - CU-ALUMINUM COMP LUG	(1) 2/0-#14 AWG
TB1 SEC	LINE 1, LINE 2 AC INPUT / USER NTRL, GND TERMINALS - CU-ALUMINUM COMP LUG	(4) #4-#14 AWG

EPIC SERIES COMPONENTS

SYMBOL	DESCRIPTION
A7	FAN/LIGHT BOARD
A8x	FAN BOARD(S)
A12	12VDC POWER SUPPLY
B9x	AIR CONDITIONING UNIT(S)
Bx	BATTERY SECTION VENT FANS
B1x	ELECTRIC SECTION VENT FANS
CB1	CIRCUIT BREAKER FOR A12 P/S
CB2	CIRCUIT BREAKER FOR HEATER
CB3	CIRCUIT BREAKER FOR AIR CONDITIONER
CB4	CIRCUIT BREAKER FOR GFI OUTLET
CB5	CIRCUIT BREAKER FOR 2ND AIR CONDITIONER
DS01	CONSOLE LED LIGHTS
DS02	RED LED
DS03	GREEN LED
F2	HEAT AND AC TERMINAL BLOCK
K2	HEATER SYSTEM RELAY
R2x	HEATER
SO3x	15A GFI OUTLET(S)
SO4	SIGNAL INTERCONNECTION SOCKET
SO5	B9A POWER INTERCONNECTION SOCKET
SO8	K2 SIGNAL INTERCONNECTION SOCKET
SW1	CONSOLE LED LIGHT SWITCH
TB1	AC INPUT TERMINAL BLOCK
TH3	ELECTRONIC SECTION THERMAL SENSOR

LEGEND FOR EPIC LINE

SYMBOL	DESCRIPTION
○	DEVICE TERMINAL
○	TERMINAL BLOCK POINT IN TRANSFORMER
○	TERMINAL BLOCK POINT FOR SCADA
○	TERMINAL BLOCK POINT FOR COMMUNICATIONS
○	TERMINAL BLOCK POINT IN POWER CIRCUIT BREAKER
▲	TERMINAL IN A.C. OR D.C. PANELBOARD
—	SHIPPED WITH WIRING INSTALLED
- - -	WIRING TO BE INSTALLED

REV: DRN BY: CMF B: KJB CMW RCF DATE: 10/18/2024 DESCRIPTION: STANDARD DRAWINGS	DRN BY: DATE: KJB 10/18/21 CMF RCF DATE: 10/18/21 APP BY: DATE: CMF 10/18/21 RCF DATE: 10/18/21	<p>1075 Sait John Street Easton, PA 18042-6661 PH 610-330-9000 FAX 610-330-8810 www.hindlepowerinc.com</p>
TITLE: EPIC SERIES 2.0 CONSOLE CONNECTION DIAGRAM: 1 ELEC. SECTION 4 BATT SECTION SALES ORDER NO. N/A		
PROPERTY AND CONFIDENTIAL NOTICE ANY REPRODUCTION, PARTIAL OR AS A WHOLE OF THIS DOCUMENT WITHOUT THE WRITTEN PERMIT OF HINDLEPOWER, INC IS STRICTLY PROHIBITED.		SCALE: DWG NO: JE5272-55 INTS: 1 OF 1