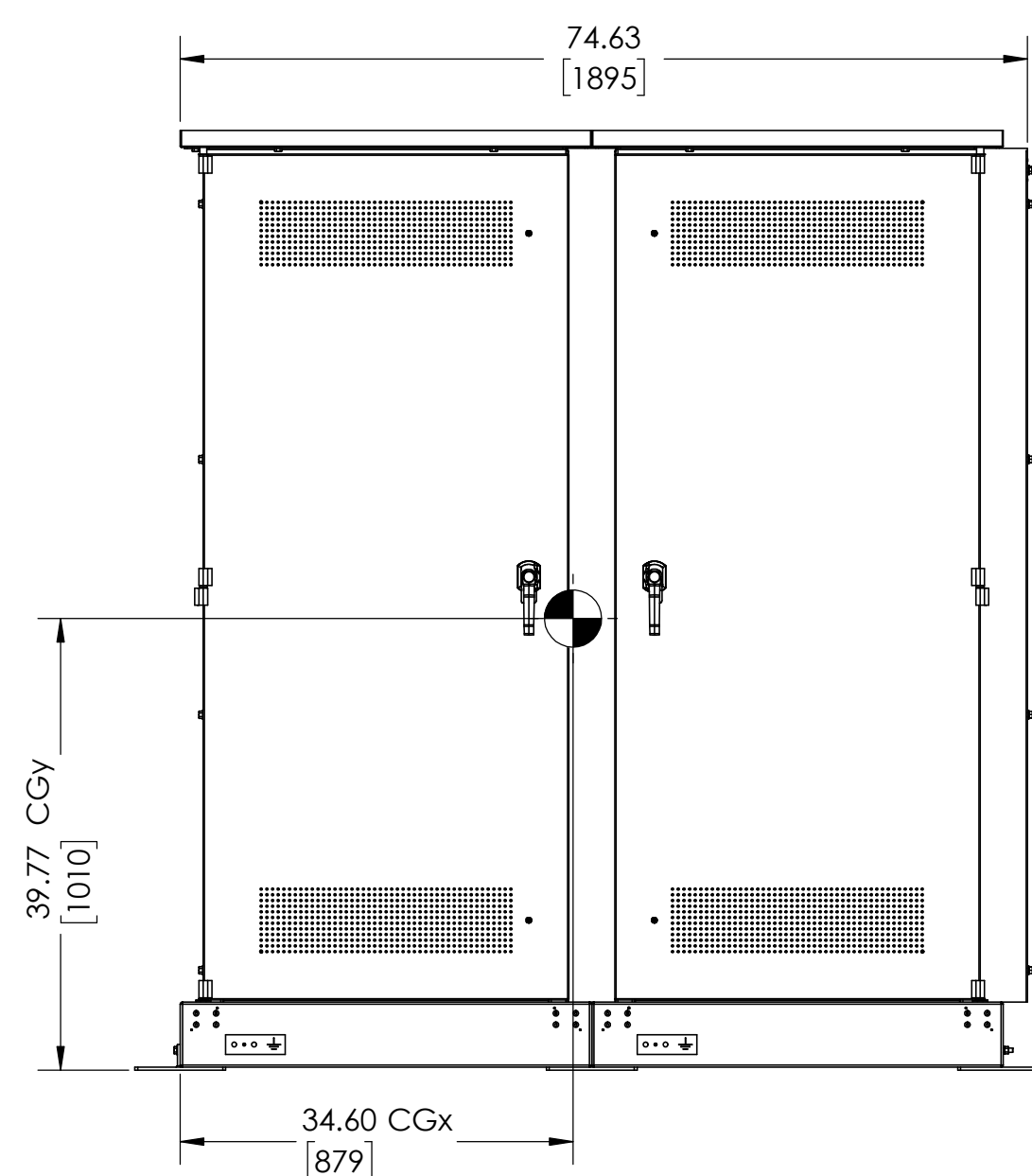
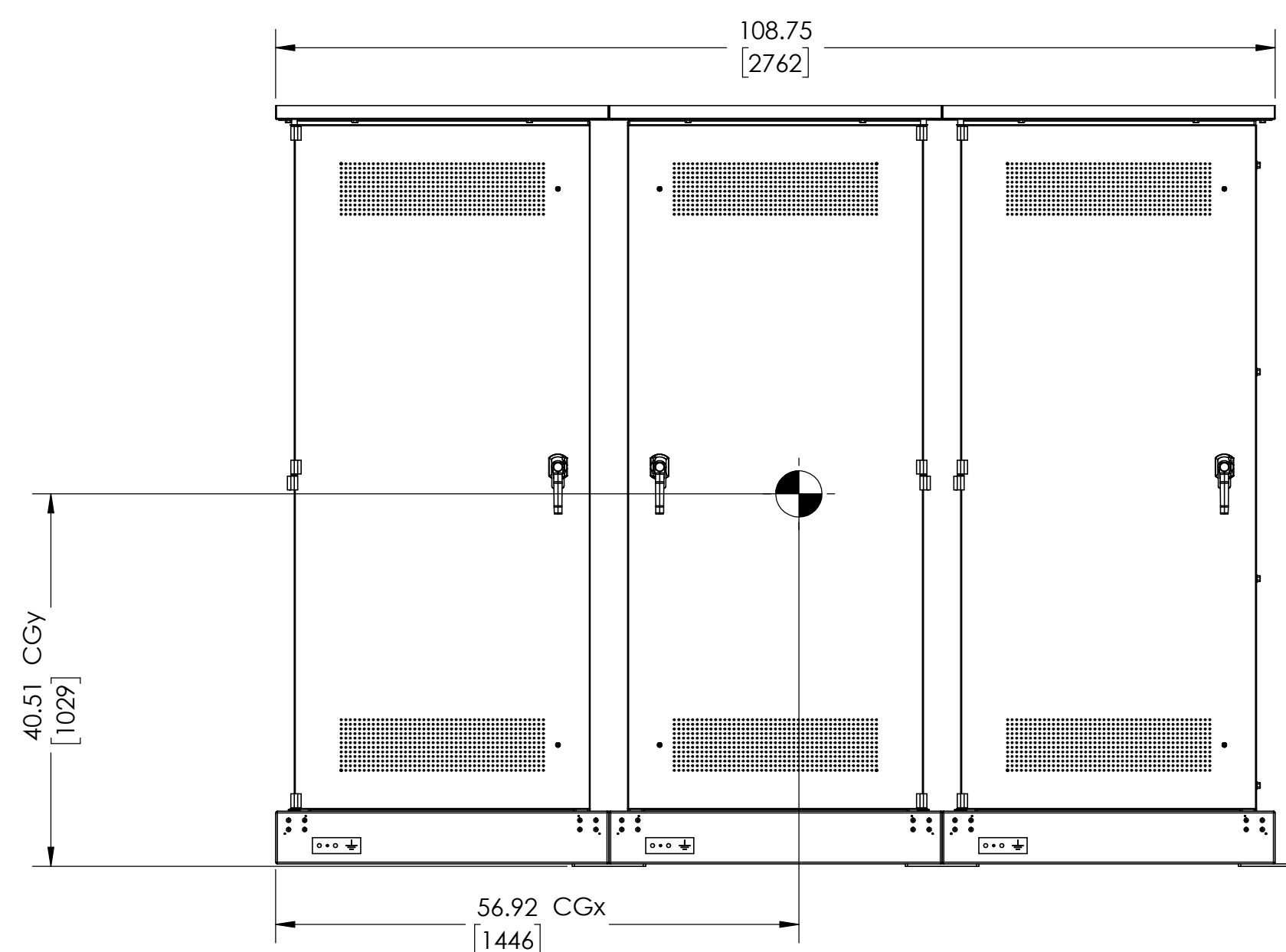


**1ST SHIPPED SECTION
WEIGHT: 756lbs [343kg]**



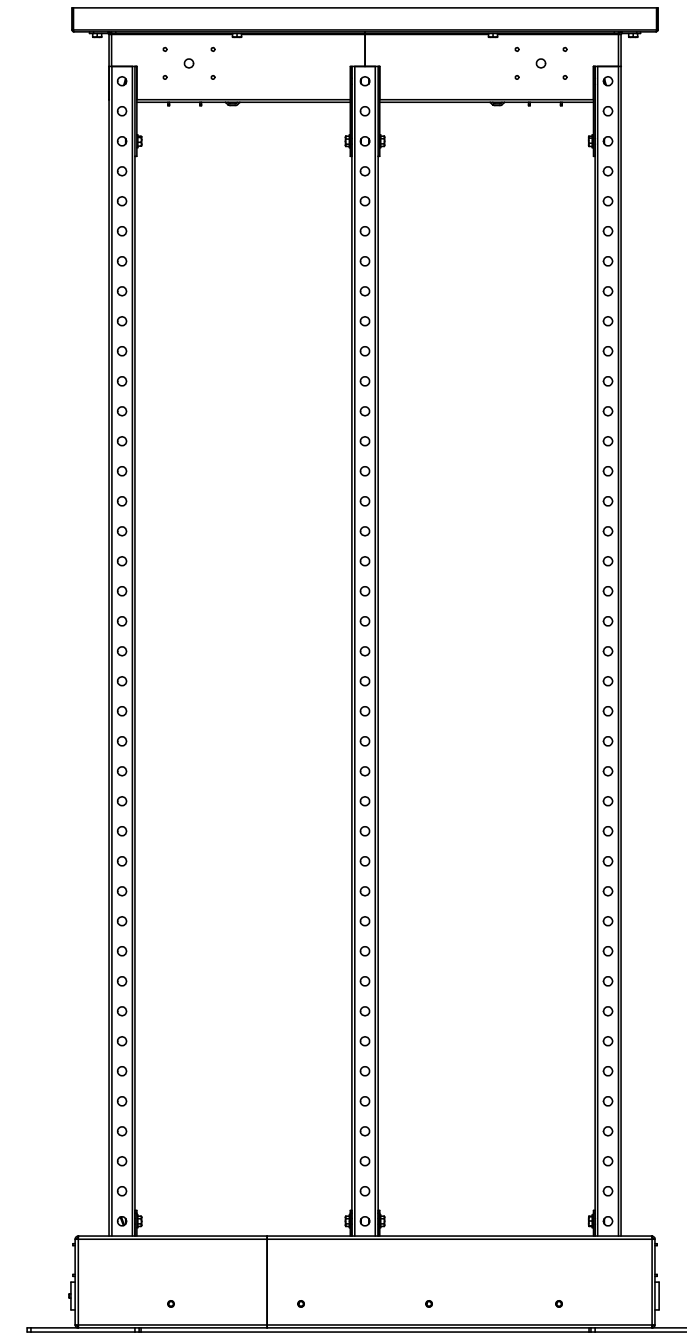
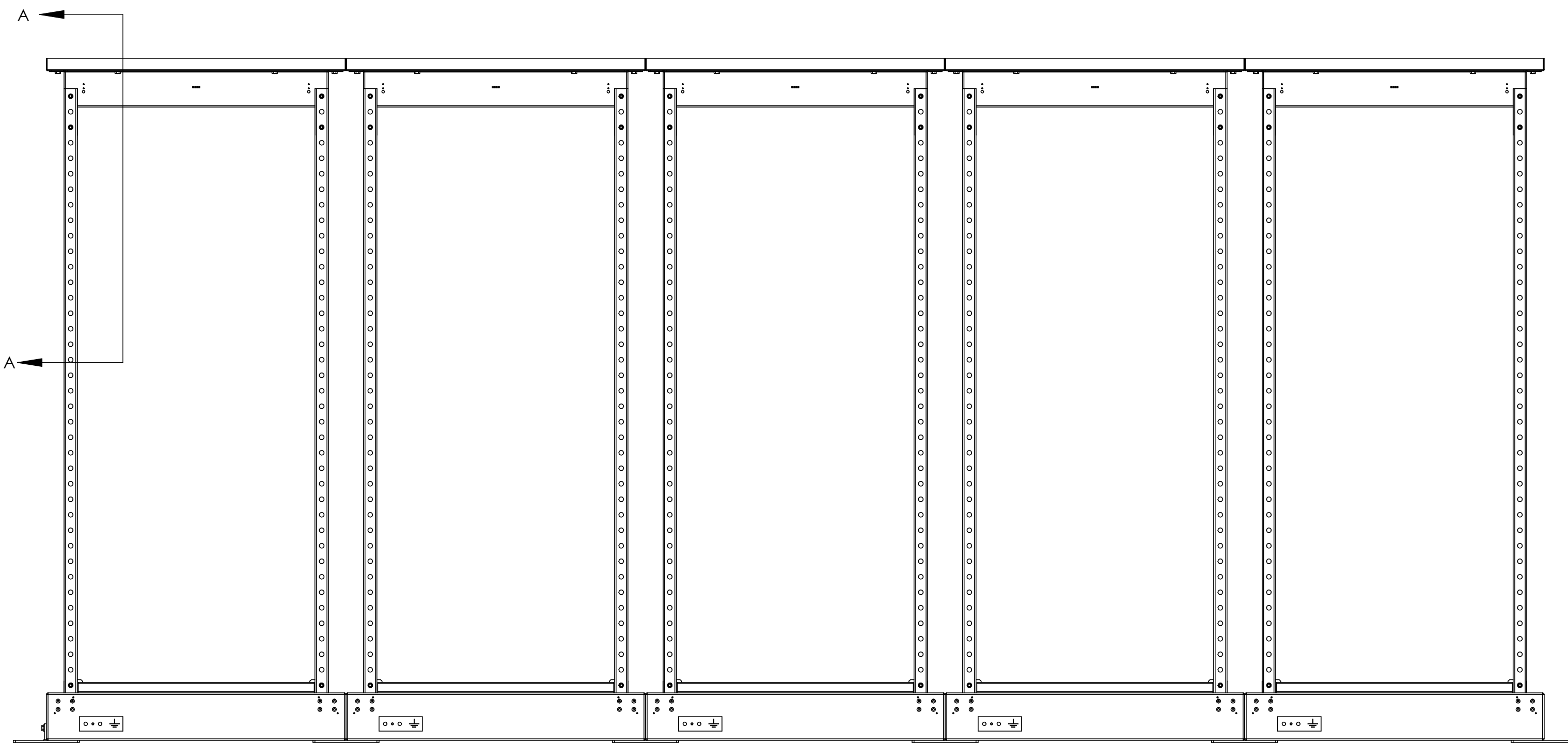
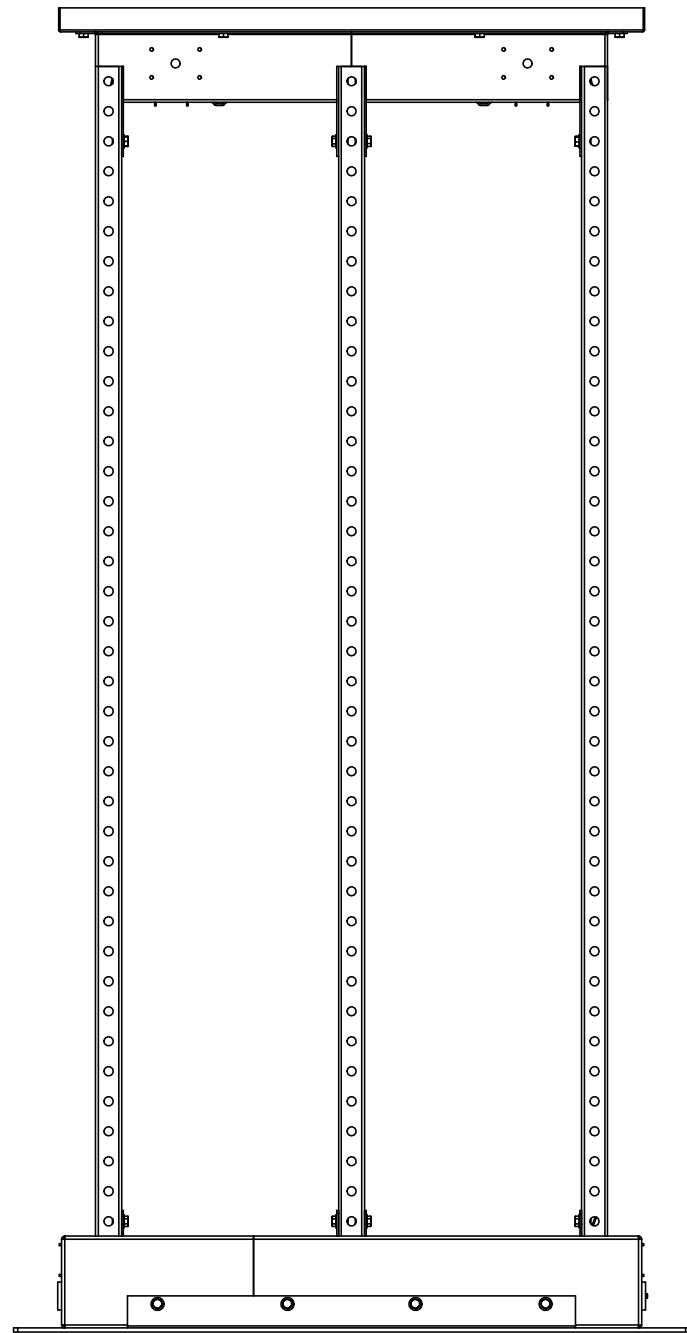
**2ND SHIPPED SECTION
WEIGHT: 1029lb [467kg]**



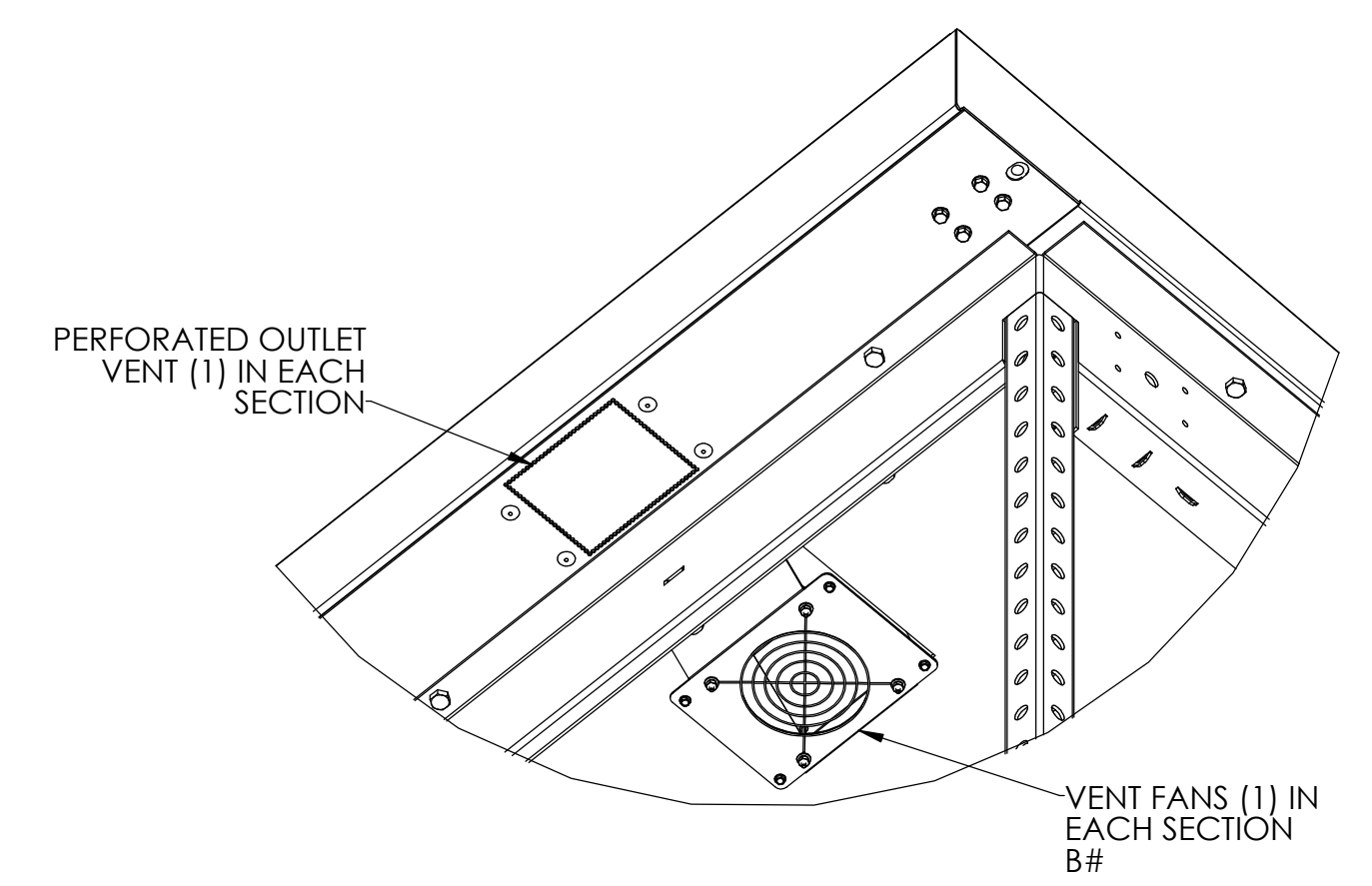
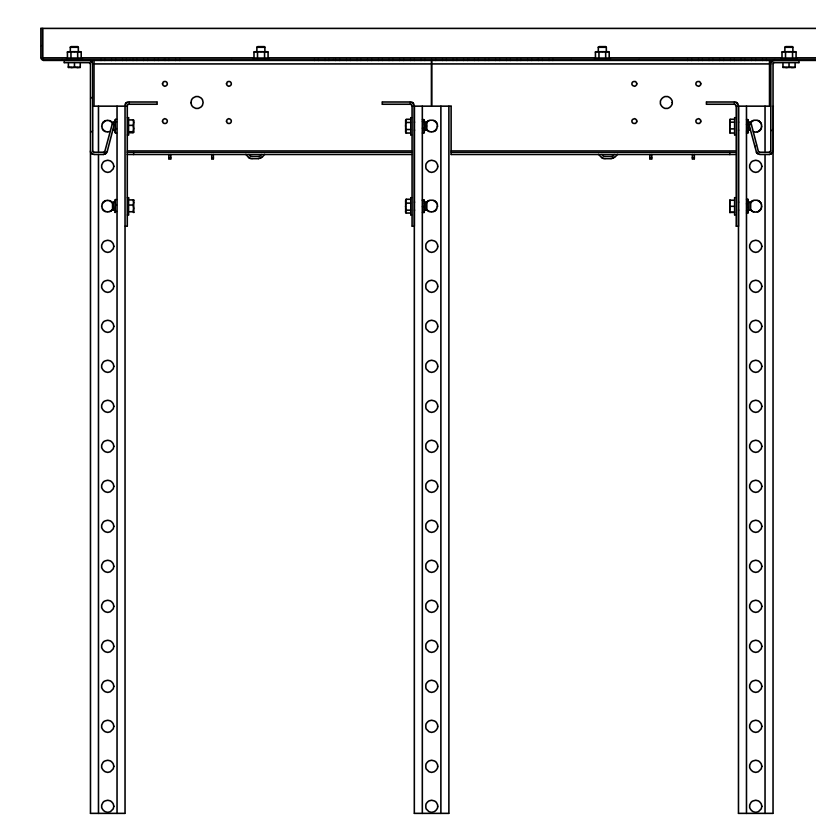
DESIGN NOTES:

- ENCLOSURE IS A NEMA-1 TYPE CABINET WITH GASKETING AND FOAM INJECTED PANELING. FINISH IS ANSI 61 GREY POWDERCOAT.
- LOCATE UNIT ONTO A PERMANENT, FLAT, AND LEVELED SURFACE, PREFERABLY CONCRETE OR OTHER FIREPROOF MATERIAL. SURFACE MUST BE CAPABLE OF SUPPORTING WEIGHT OF COMPLETE SYSTEM AND INSTALLED COMPONENTS. SEE FOUNDATION DRAWING (JE5276-05) FOR LOADING INFORMATION.
- THE WEIGHT OF THE CONSOLE WITHOUT BATTERIES IS 1784lb [809kg]
- FOR LIFTING, USE OPTIONAL STRAPPING SYSTEM SEE EI5196-01.

REV	DRN	BY	CHK	BY	APP	BY	DATE	DRN	BY	DATE	DRN	BY	DATE	TITLE
A	KJB	RCF	RCF				05/09/24	KJB	RCF	05/09/24	KJB	RCF	05/09/24	EPIC SERIES 2.0 CONSOLE
DESCRIPTION											HINDLEPOWER			
Initial Release											OUTLINE: NEMA 1 5063 ENCL SALES ORDER No. N/A			
<small>UNLESS OTHERWISE SPECIFIED ALL DIMENSIONS FOLLOW THE RULES OF DIMENSIONING TO UNITS (INCHES, POUNDS & SECONDS) TO STANDARDS ASSOCIATION, INC. (ANSI) Y32.1-1983 (REV. 11/84) DEC. 2 1915, AND 2 25" </small>											SCALE: DWG No. D 1:16 REV A 1 OF 1			



SECTION A-A
SCALE 1:9



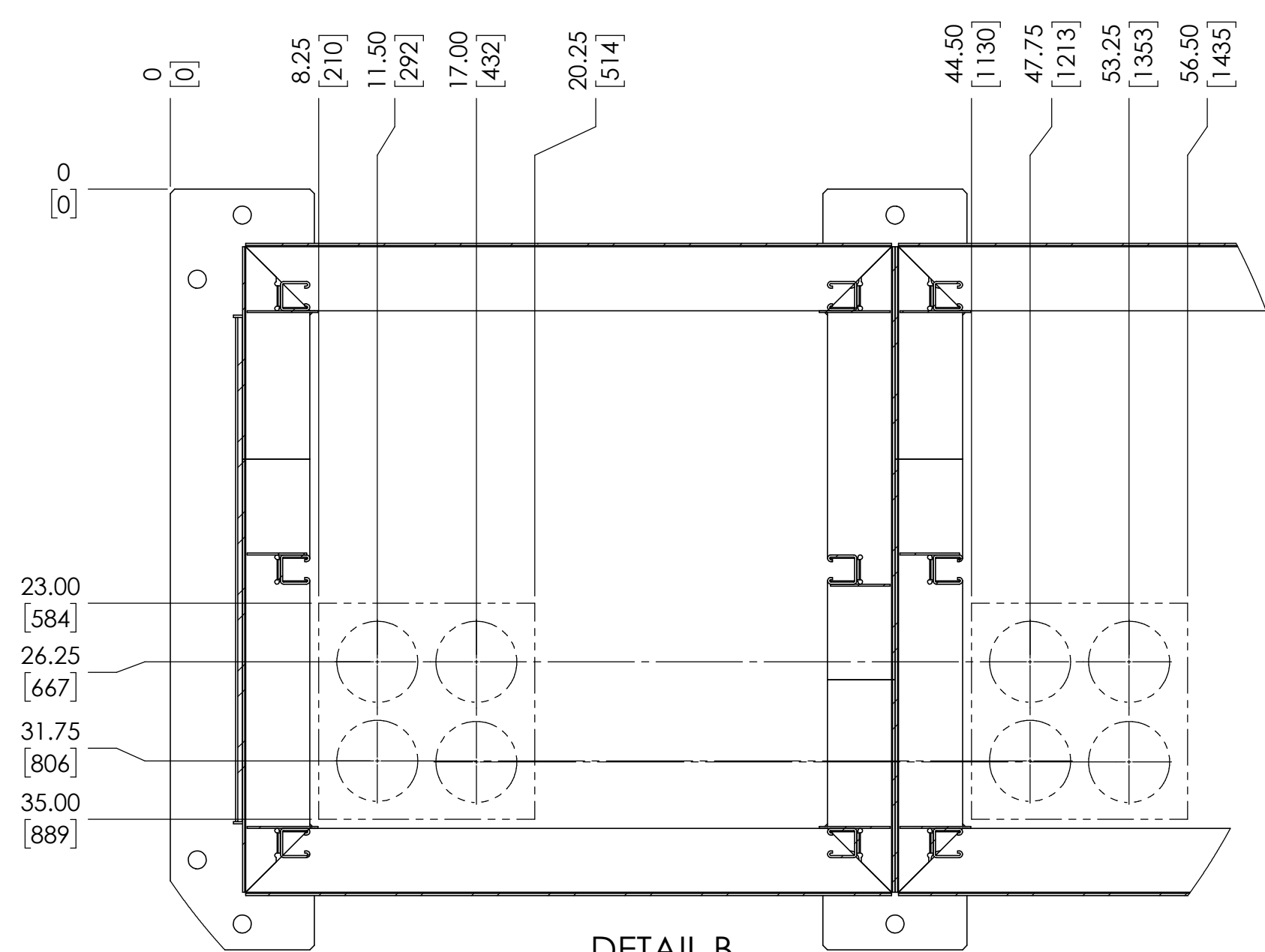
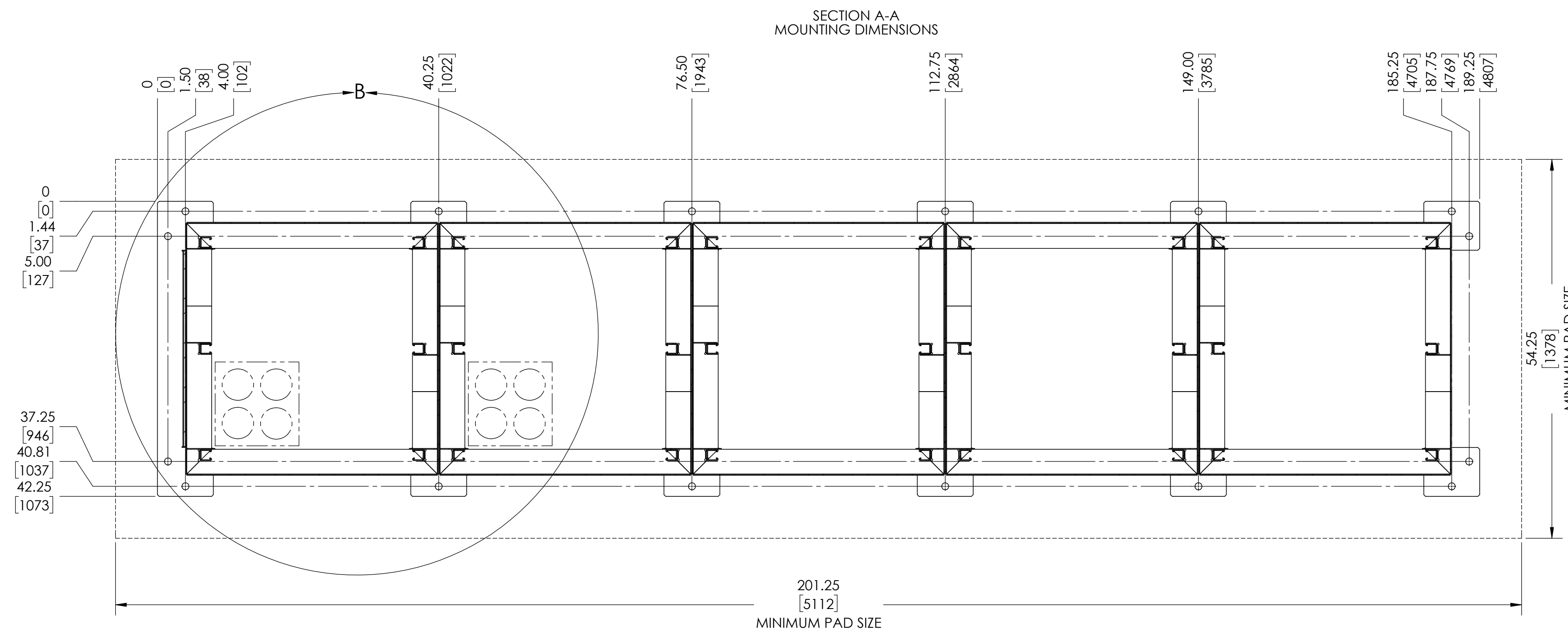
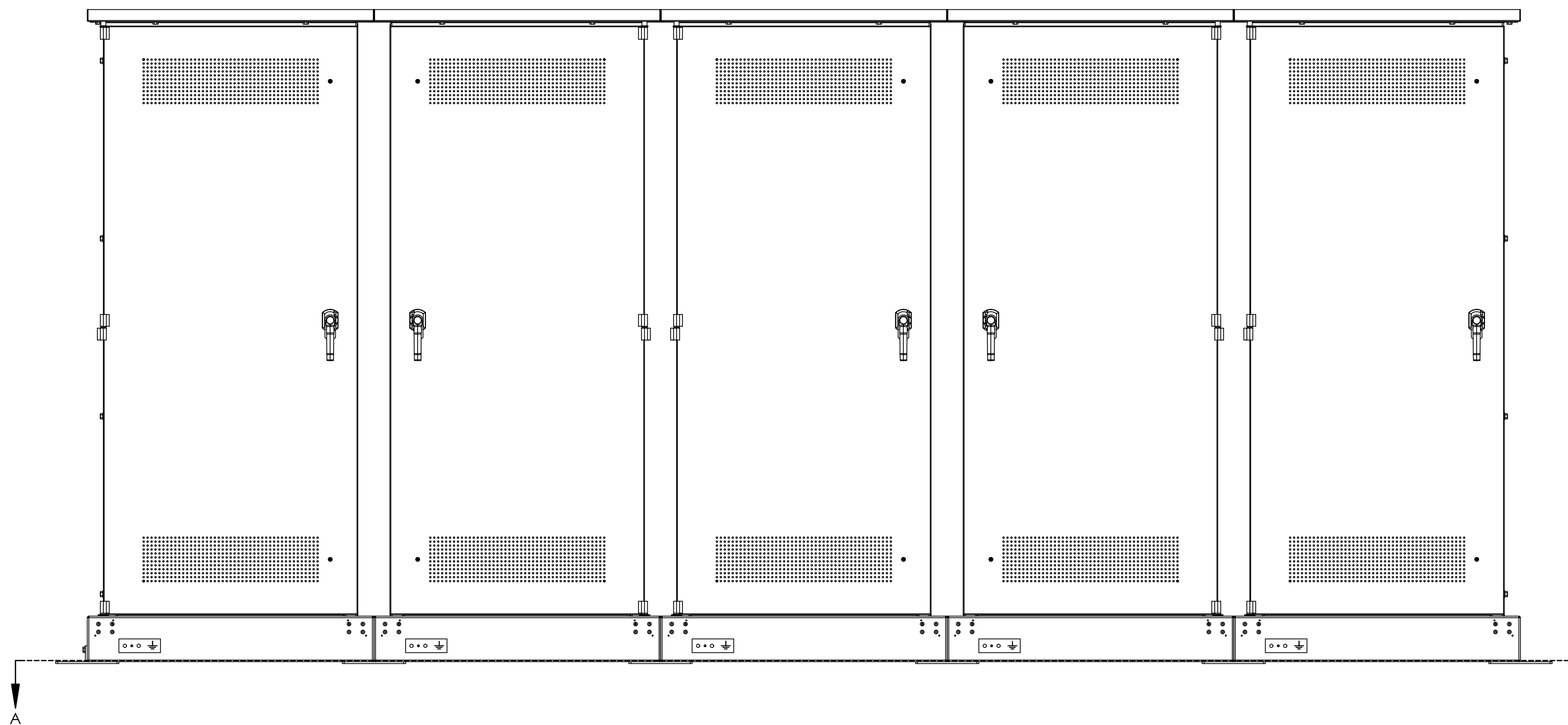
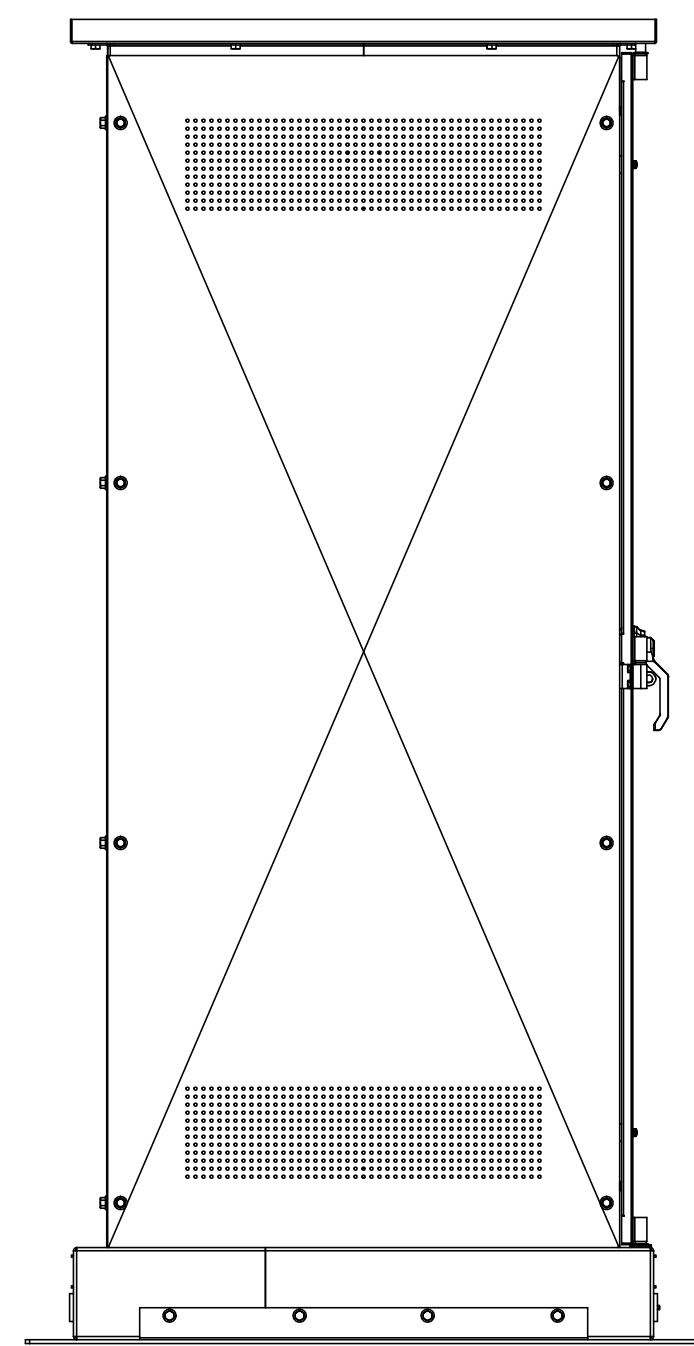
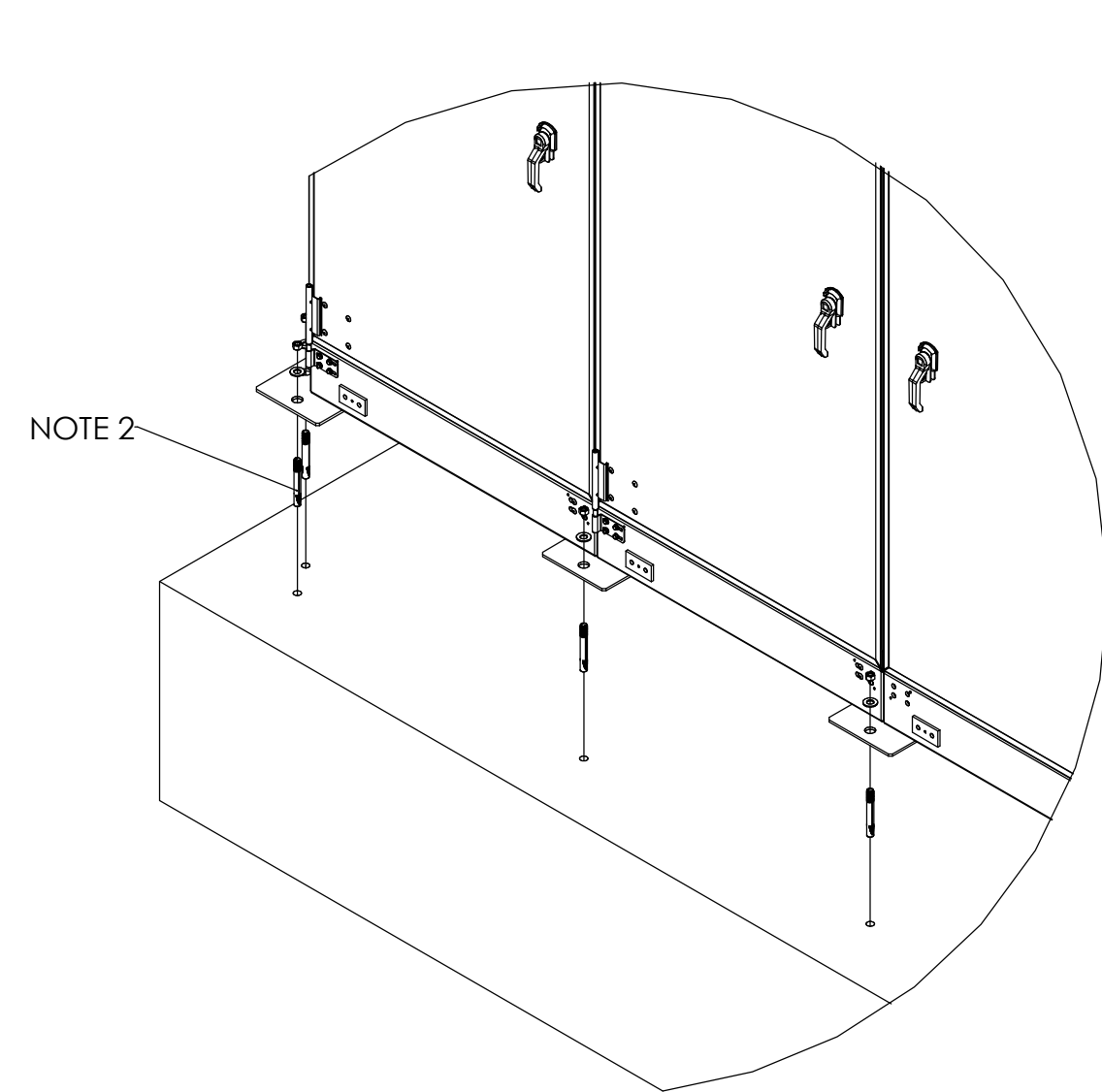
PERFORATED OUTLET
VENT (1) IN EACH
SECTION

VENT FANS (1) IN
EACH SECTION
B#

NOTES:

- TO PROVIDE A CLEAR VIEW OF THE CONSOLE INTERNAL COMPONENTS, THE FOLLOWING ITEMS ARE NOT SHOWN:
 - FRONT DOORS W/ EYE WASH
 - REAR PANELS/DOORS
 - LEFT AND RIGHT SIDE PANELS
- DO NOT LIFT, PUSH OR RELOCATE THE EPIC CONSOLE WITH BATTERIES INSTALLED WITHIN ENCLOSURE.
- BATTERY TYPE: Enersys / SBS XL 320 (120 JARS (2 strings of 60))

REV	DRN BY	CHK BY	APP BY	DATE	DRN BY	DATE		<p>HINDLEPOWER</p> <p>123 East 1st Street Suite 100, Waco, TX 76780 www.hindlepower.com</p>
A	KJB	RCF	RCF	05/09/24	KJB	05/09/24		
DESCRIPTION				Initial Release	CHK BY	DATE	TITLE	
					RCF	05/09/24	EPIC SERIES 2.0 CONSOLE	
					APP BY	DATE	INTERNAL LAYOUT: 2 ELEC. / 3 BATT.	
					RCF	05/09/24	SALES ORDER No. N/A	
					<small>UNLESS OTHERWISE SPECIFIED ALL DIMENSIONS FOLLOW THE ANSI Y14.5M-2018 (INCHES POUNDS & SECONDS) TOLERANCES ARE: FINC: ±.125 DEC: ±.010 WGT: ±.25</small>			
		SCALE		DWG No.		REV		SHEET
		D 1:12				JE5270-05		A 1 OF 1



DETAIL B
SCALE 1 : 8

NOTES:

1. MOUNTING DIMENSIONS SHOWN ON DRAWING ARE FINAL. WE RECOMMEND PLACING CONSOLE, THEN DRILLING FOR MOUNTING ANCHORS.
2. ANCHOR BOLTS ARE TO BE HILTI M12 HDA-TR STAINLESS STEEL UNDERCUT (OR EQUIVALENT). HOLE DEPTH TO BE MINIMUM OF 5.3" [135mm], PAD DEPTH TO BE MINIMUM OF 8.0" [203mm]
3. CONCRETE PAD TO EXTEND A MINIMUM OF 6" [153mm] FROM EDGE OF CABINET ON ALL SIDES. SEE MOUNTING DIMENSIONS BELOW. THE WEIGHT OF THE CONSOLE WITH BATTERIES (SPECIFIED IN PURCHASE ORDER) IS 1784lb [kg]
4. CONCRETE PAD TO BE 4000 psi OR GREATER.
5. ELECTRICAL CONDUIT MAY ENTER FROM UNDERNEATH CABINET, BUT ONLY THROUGH STUB-UP LOCATIONS SHOWN IN DETAIL B.
6. CONDUIT ENTRY PROVIDED THROUGH SIDE PANEL 10.5in by 14in GLAND PLATE AVAILABLE FOR KNOCKOUT. KNOCKOUTS MAY NOT BE VISIBLE, USE DIMENSIONS TO VERIFY BREAKAWAY POINTS.

REV DRN BY CHK BY APP BY DATE	DRN BY DATE		HINDLE POWER <small>1075 East 109th Street Suite 100 - 1000 East Portland, OR 97216 www.hindlepower.com</small>
A KJB RCF RCF 05/09/24	KJB 05/09/24		
DESCRIPTION	CHK BY DATE	TITLE	
Initial Release	RCF 05/09/24	EPIC SERIES 2.0 CONSOLE FOUNDATION DRAWINGS SALES ORDER No. N/A	
<small>APP BY DATE</small> <small>RCF 05/09/24</small>		<small>SCALE DWG No.</small> D 1:12 JE5276-05 REV SHEET 1 A 1 OF 1	