

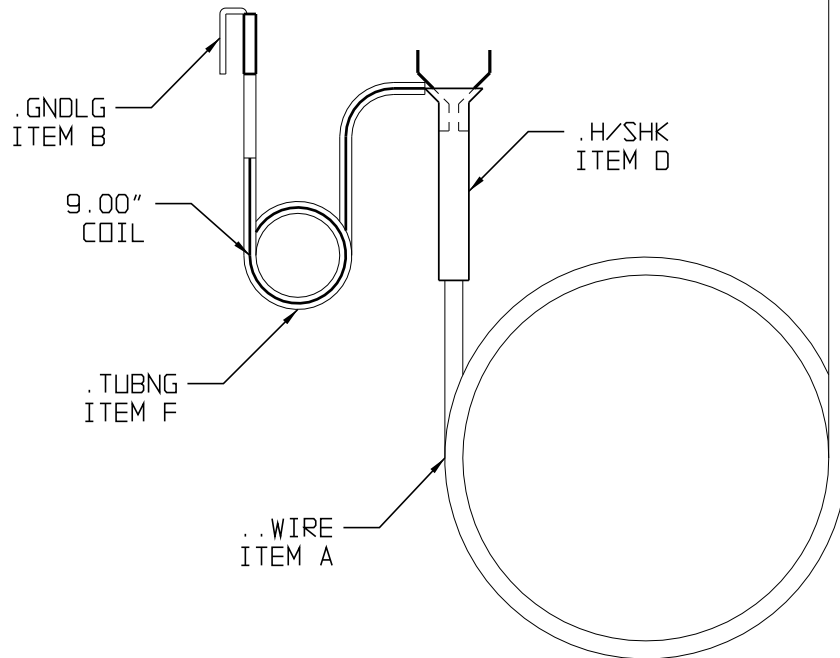
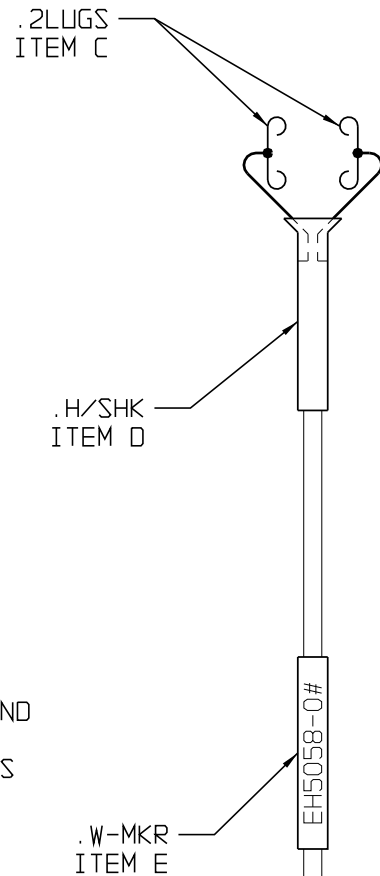
ASSEMBLY ITEMS:

(SEE TRAVELER MATERIAL LIST FOR PARTS & QUANTITIES)

- A) .WIRE #18 AWG SHIELDED CABLE (VARIOUS LENGTHS)
- B) .GNDLG INSULATED PIGGY-BACK QUICK-CONNECT LUG
- C) .2LUGS NYLON INSULATED QUICK-CONNECT LUGS
- D) .H/SHK BLACK PROTECTIVE HEAT SHRINK  
(2in EACH SIDE)
- E) .W-MKR WHITE HEATSHRINK WIRE MARKER  
(PRINTED WITH p/n "EH5058-0#")
- F) .TUBNG TEFLON HEATSHRINK TUBING

STANDARD ASSEMBLY NOTES:

- 1) CUT LENGTH OF WIRE (RH0061-01) AS SPECIFIED IN BOM
- 2) STRIP 2.00in OF INSULATION FROM ONE END
- 3) STRIP 9.0in OF INSULATION FROM OTHER END
- 4) APPLY 8.50in TEFLON TUBING ALONG STRIPPED WIRE
- 5) APPLY ONE (1) LUG (RC0071-00) TO SHIELD AT 9.00in END
- 6) APPLY TWO (2) LUGS (RC0156-02) TO 2.00in END
- 7) APPLY 2.00in OF HEAT SHRINK (PD0015-05) TO BOTH ENDS



				THIRD ANGLE PROJECTION		1075 Saint John Street Easton, PA 18042-6661 PH 610-330-9000 FAX 610-330-8510 www.hindlepowerinc.com			
				DRAWN BY	MCR	083021	TITLE	ATEvo / AT SERIES TEMPCO PROBE HARNESS SUB-ASSEMBLY	
B	-N/A-	090221	ND	APPROVED	ND	083021	DRAWING No	EH5058-XX	REV B
A	-N/A-	083021	ND	UNLESS OTHERWISE NOTED DIMENSIONS ARE IN INCHES. TOLERANCES ARE:			A		
REV	ECN No	DATE	APP	SCALE	NTS	PART No	EH5058-##	SHEET	1 OF 1