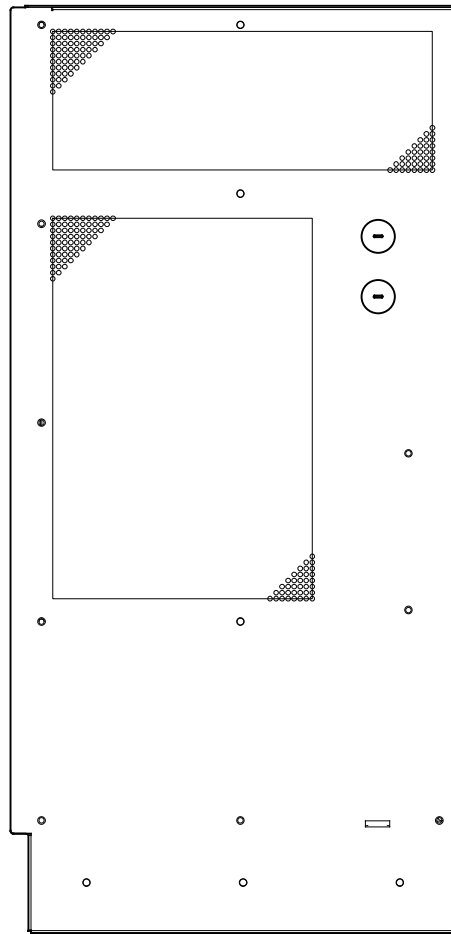
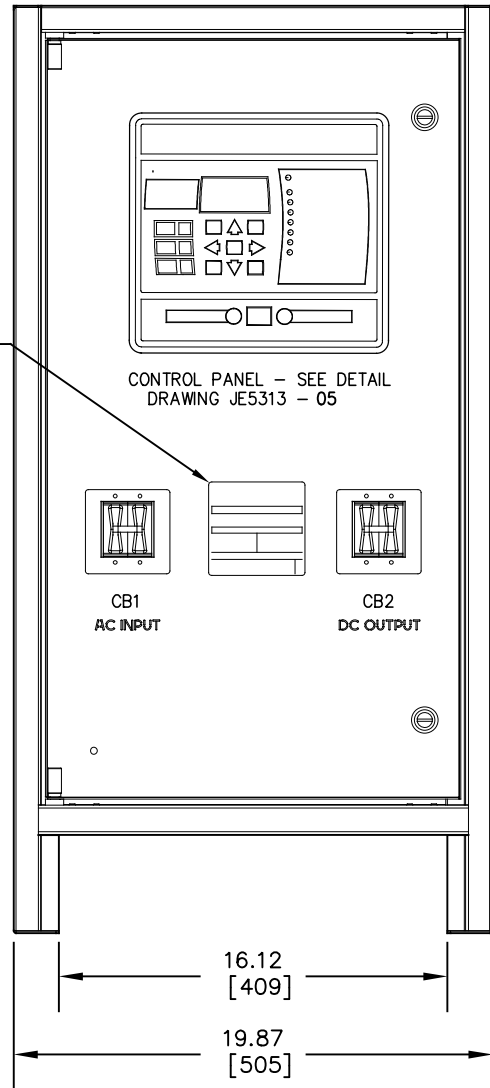


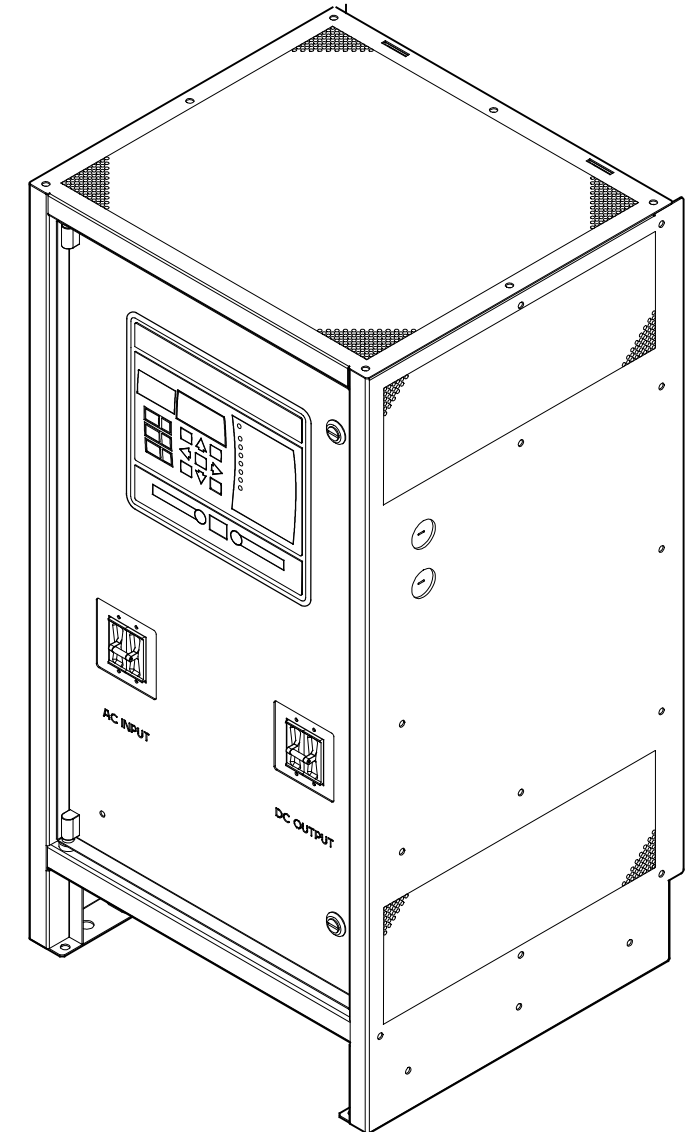
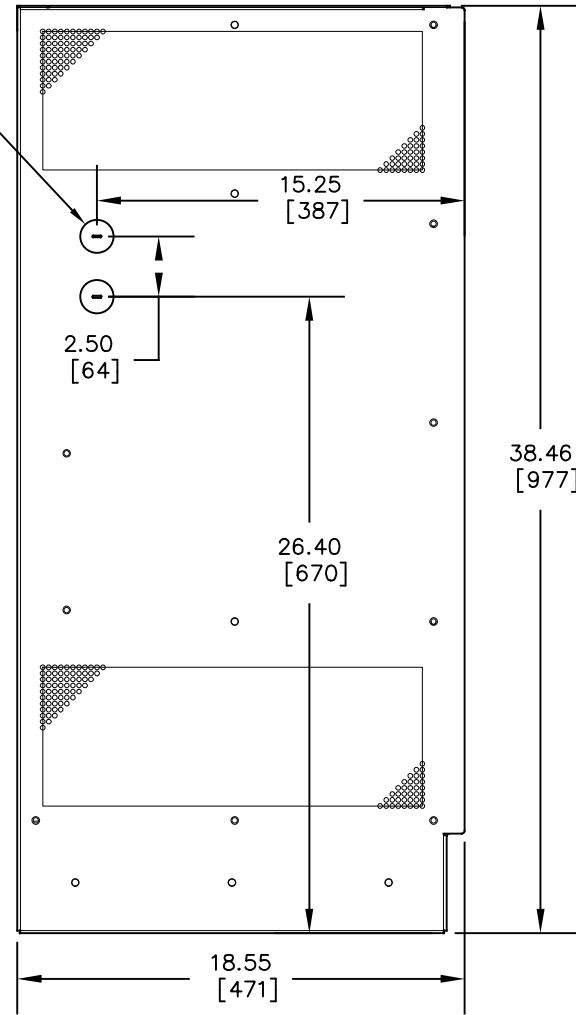
LEFT SIDE VIEW



FRONT VIEW



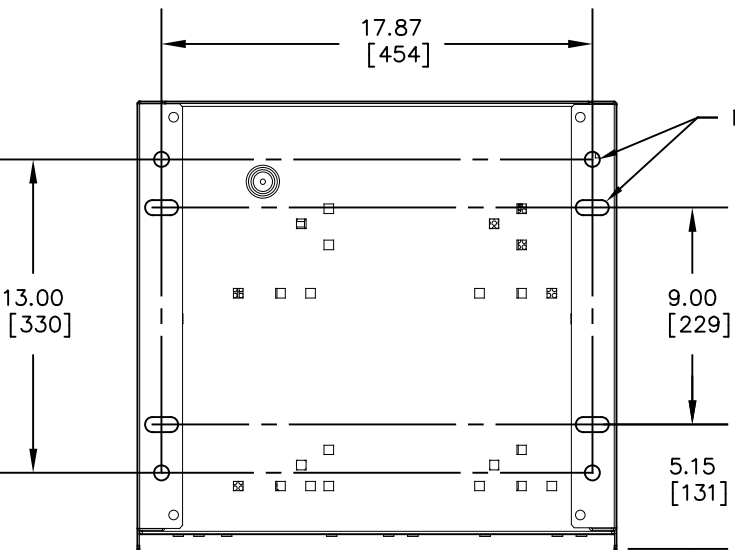
RIGHT SIDE VIEW



NOTE 3

NOTES:

- ENCLOSURE IS A NEMA TYPE 1 / IP20 TOP-VENTED STEEL CABINET WITHOUT GASKETS. FINISH IS ANSI-61 GRAY EPOXY POWDERCOAT. MOUNTING BASE IS 12 GA. SIDE PANELS ARE 14 GA. TOP PANEL AND DOOR ARE 16 GA.
- ALLOW 6in / 152mm OF FREE AIR ON ALL VENTED SURFACES (TOP, SIDES & REAR) FOR COOLING.
- DATA NAMEPLATE DECAL (WITH CHARGER RATINGS) APPLIED TO DOOR.
- FOUR (4) 0.5in / 12mm FLOOR-MOUNTING HOLES AND FOUR (4) 1in x 0.625in / 25mm x 16mm FLOOR-MOUNTING SLOTS ARE PROVIDED ON BOTTOM OF ENCLOSURE AS SHOWN.
- FOUR (4) 1.31in / 33mm DIA STANDARD PRE-FAB KEY-SLOT KNOCKOUTS ARE PROVIDED AS SHOWN FOR 1in / 25mm CONDUIT ENTRY. IF ADDITIONAL CONDUIT ENTRANCES ARE REQUIRED, ENCLOSURE SHOULD BE FIELD-MODIFIED BY INSTALLER.
- BATTERY CHARGER SHIPPING WEIGHT: SEE PRODUCT LITERATURE.



NOTE 4

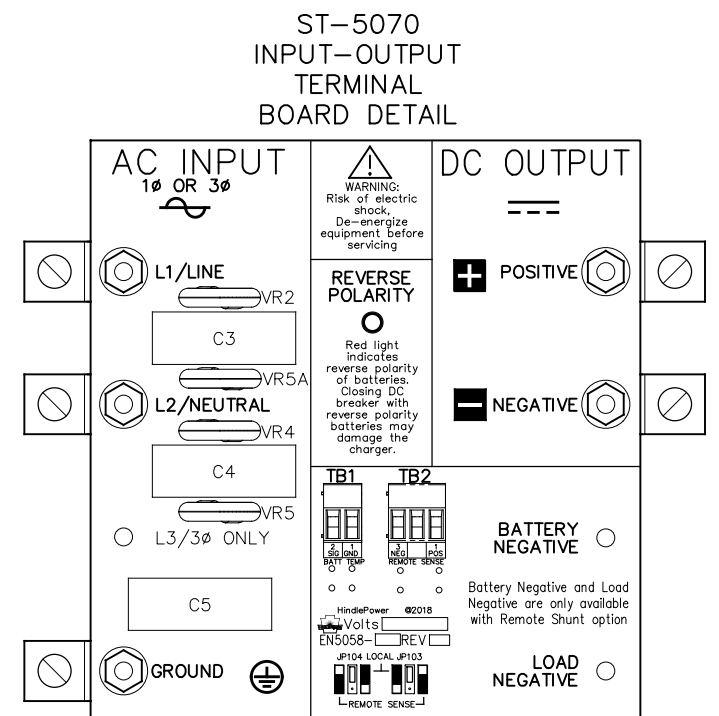
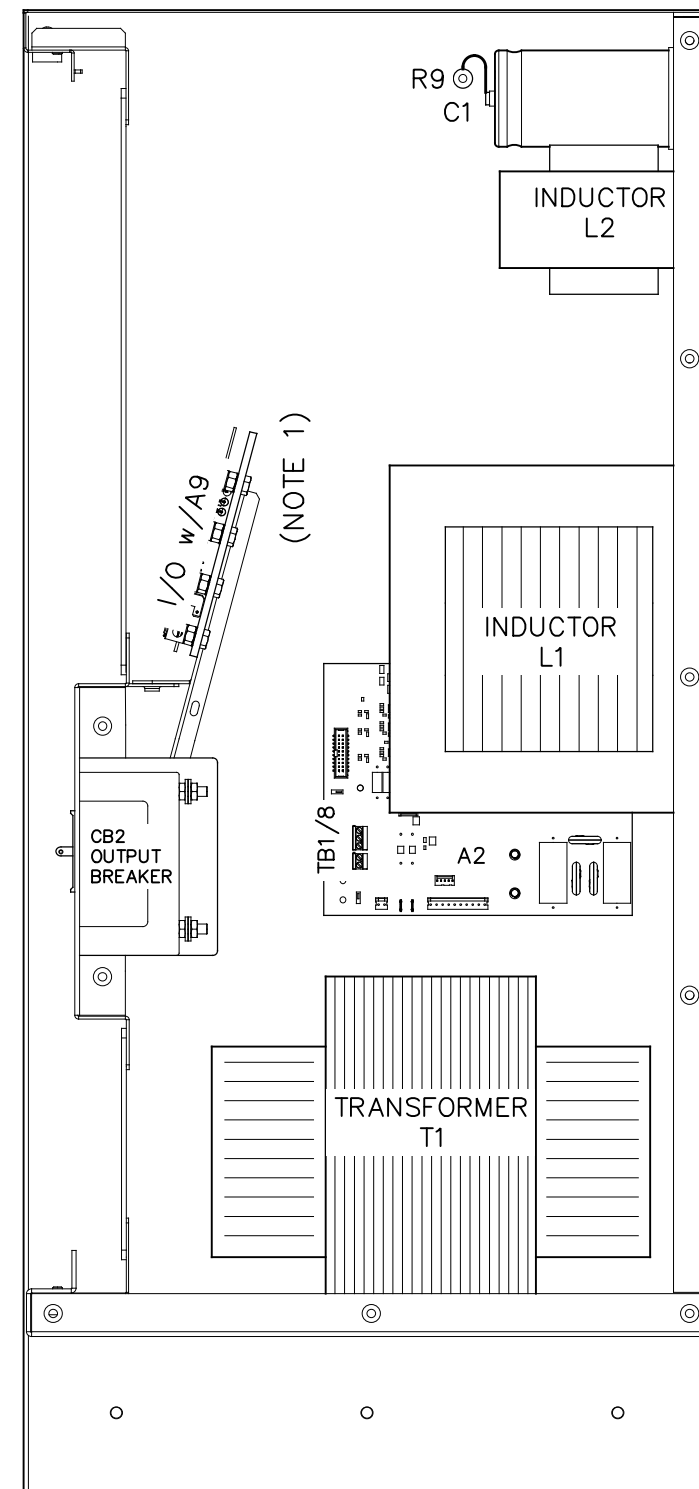
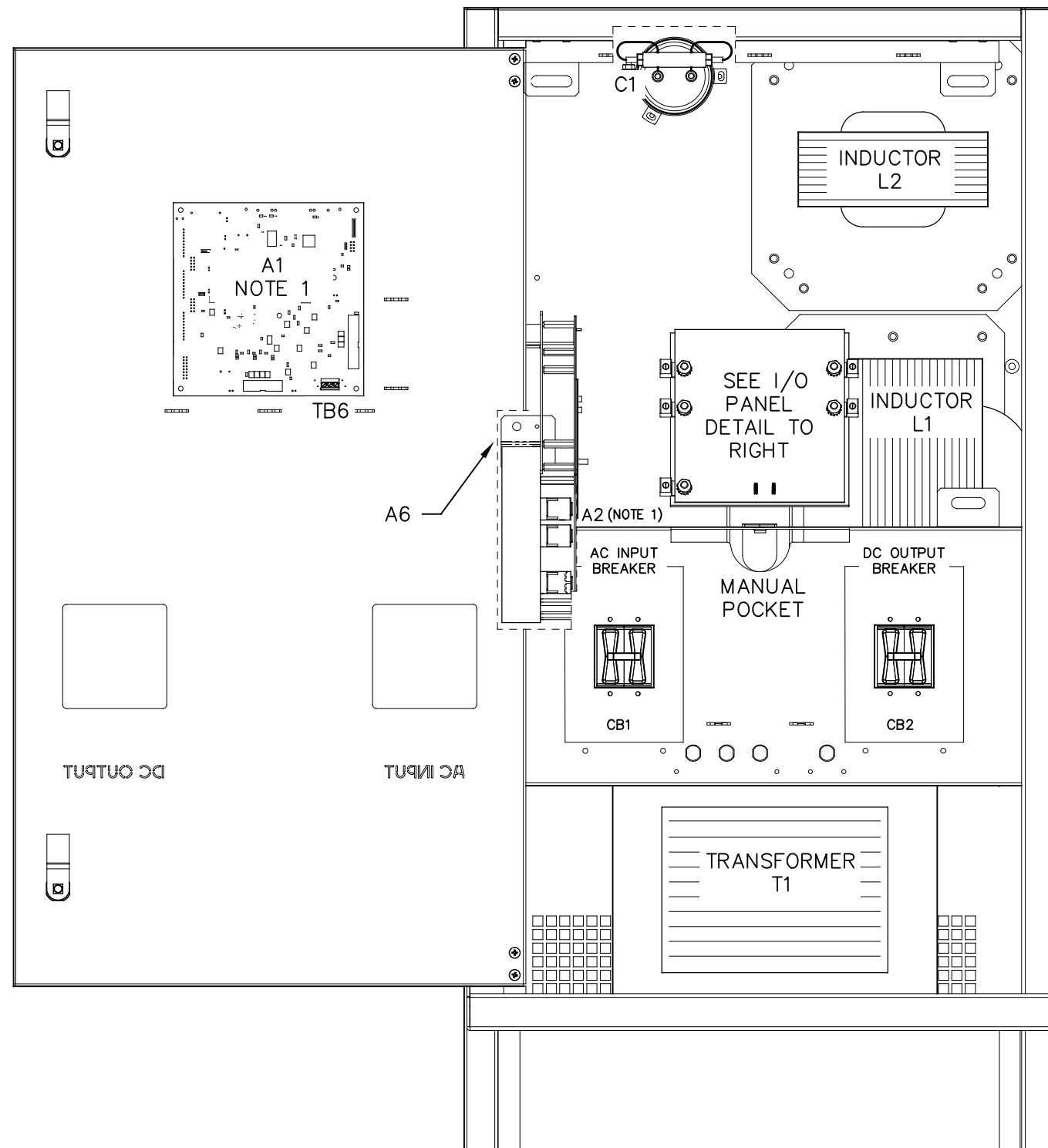
BOTTOM MOUNTING VIEW

DUAL DIMENSIONS in [mm]

REV. DRN BY D KJB	CHK BY MCR	APP BY MCR	DATE 10/29/2021	DRN BY KJB	DATE 10/29/2021	TITLE ATEVO BATTERY CHARGER OUTLINE: NEMA-1 STYLE-5070 ENCL 1Ø W/O OPTIONS 75-100A
DESCRIPTION STANDARD DRAWINGS.				CHK BY MCR	DATE 10/29/2021	
ECN NO. N/A				APP BY MCR	DATE 10/29/2021	
						B SCALE DWG No NTS JE5309-04
						REV SHEET D 1 OF 1

SYM STANDARD COMPONENT DESCRIPTION

- A1 MAIN CONTROL PC BOARD
- A2 POWER BOARD
- A6 RECTIFIER ASSEMBLY
- A9 MOV PC BOARD
- C1 FILTER CAPACITOR
- CB1 AC INPUT CIRCUIT BREAKER (CD2)
- CB2 DC OUTPUT CIRCUIT BREAKER (CD2)
- AUXCB2 DC CKT BKR (CB2) AUXILIARY CONTACTS
- L1 MAIN INDUCTOR
- L2 FILTER INDUCTOR
- R9 FILTER CAP BLEED RESISTOR
- T1 POWER TRANSFORMER



MOV PC BOARD (A9)

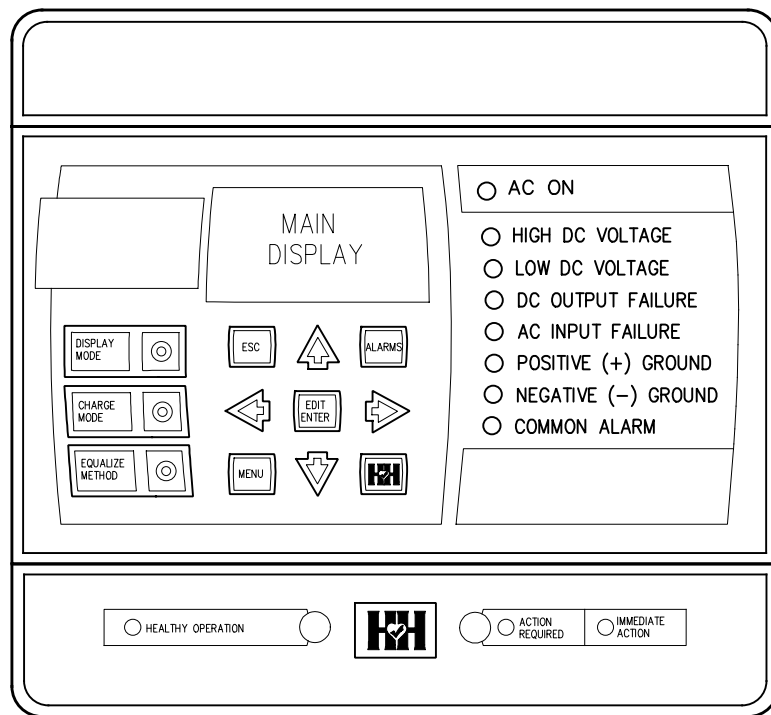
I/O TERMINAL	DESCRIPTION - TYPE	CONNECTION
I/O (+/-)	POS/NEG OUTPUT TERMINALS - CU-ALUMINUM COMPRESSION LUG	#14-1/0 AWG
GND LUG	USER GROUND TERMINAL - CU-ALUMINUM COMPRESSION LUG	#14-1/0 AWG
I/O (L1/L2)	AC INPUT TERMINALS - CU-ALUMINUM COMPRESSION LUG	#14-1/0 AWG
(A2) TB1	POS/NEG REMOTE SENSE TERMS (A2) - SOLDERLESS COMP SCREW	#22-14 AWG
(A2) TB8	TEMPCO PROBE (A10) TERMINAL BLOCK - SOLDERLESS COMPRESSION SCREW	#22-14 AWG
(A1) TB6	SUMMARY ALARM TERMINAL BLOCK (A1) - SOLDERLESS COMPRESSION SCREW	#22-14 AWG

NOTES:

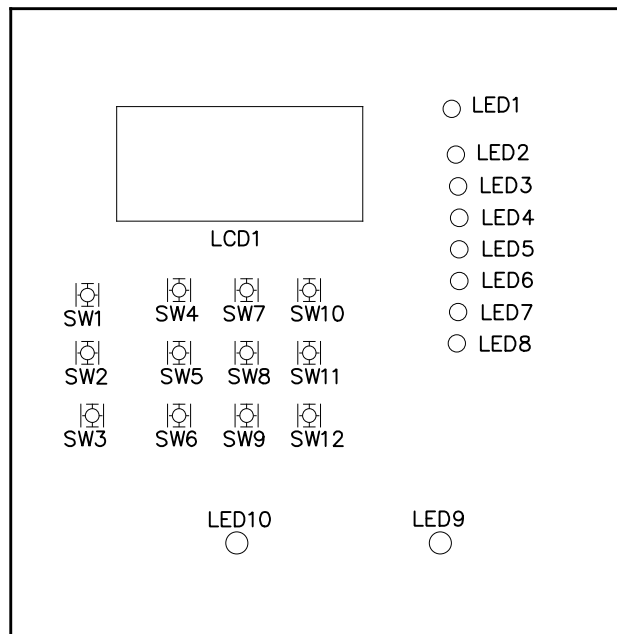
- FOR DETAIL VIEWS OF ALL PC BOARDS (A1, A2, etc.) SEE DRAWING JE5313 - 04.

REV. DRN BY D KJB	CHK BY MCR	APP BY MCR	DATE 10/29/2021	DRN BY KJB	DATE 10/29/2021
DESCRIPTION STANDARD DRAWINGS.				CHK BY MCR	DATE 10/29/2021
ECN NO. N/A				APP BY MCR	DATE 10/29/2021

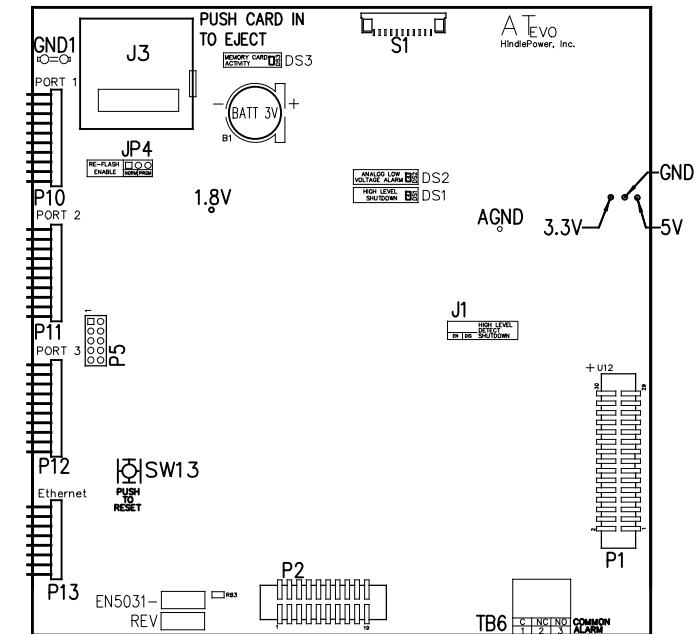
TITLE ATEVO BATTERY CHARGER INTERNAL COMPONENT LAYOUT: STYLE-5070 1Ø W/O OPTIONS 75-100A				
B	SCALE NTS	DWG No JE5310-04	REV D	SHEET 1 OF 1



CONTROL PANEL
(PART No. FK5047-00)



MAIN CONTROL PC BOARD (A1)
FRONT VIEW – FACING CHARGER DOOR WHEN INSTALLED



MAIN CONTROL PC BOARD (A1)
BACK VIEW – FACING CHARGER COMPONENTS WHEN INSTALLED

NOTE: ALL ALARM CONTACTS ARE ENERGIZED WHEN IN THE NON-ALARM STATE (FAIL SAFE). ALL ALARM CONTACTS WILL CHANGE STATE WHEN CHARGER IS POWERED DOWN. CONTACT RATING IS 0.5A @ 125VAC/VDC RESISTIVE.

MAIN CONTROL PC BOARD (A1)

INDICATOR LIGHTS (LEDs):

- LED1 – GREEN – AC ON
- LED2 – RED – HIGH DC VOLTAGE ALARM
- LED3 – RED – LOW DC VOLTAGE ALARM
- LED4 – RED – DC OUTPUT FAILURE ALARM
- LED5 – RED – AC INPUT FAILURE ALARM
- LED6 – RED – POSITIVE (+) GROUND ALARM
- LED7 – RED – NEGATIVE (-) GROUND ALARM
- LED8 – RED – COMMON ALARM
- LED9 – RED – ACTION REQUIRED ALARM
- LED10 – GREEN – HEALTHY OPERATION
- DS1 – RED – HIGH LEVEL SHUTDOWN (HLD)
- DS2 – RED – ANALOG LOW VOLTAGE ALARM (LLD)
- DS3 – RED – MEMORY CARD ACTIVITY

JUMPERS:

- J1 – ANALOG HIGH VOLTAGE SHUTDOWN JUMPER
 - J3 – SD CARD PORT
 - JP4 – RE-FLASH (FIELD PROGRAMMING) JUMPER
- TERMINAL BLOCKS:**
- TB6 – COMMON ALARM RELAY CONTACTS
- TEST POINTS:**
- 1.8V – 1.8 VOLTS
 - 3.3V – 3.3 VOLTS
 - 5V – 5.0 VOLTS
 - GND – GROUND
 - AGND – ANALOG GROUND
 - SDA – MAIN BOARD 12C DATA
 - SCL – MAIN BOARD 12C CLOCK

SWITCHES:

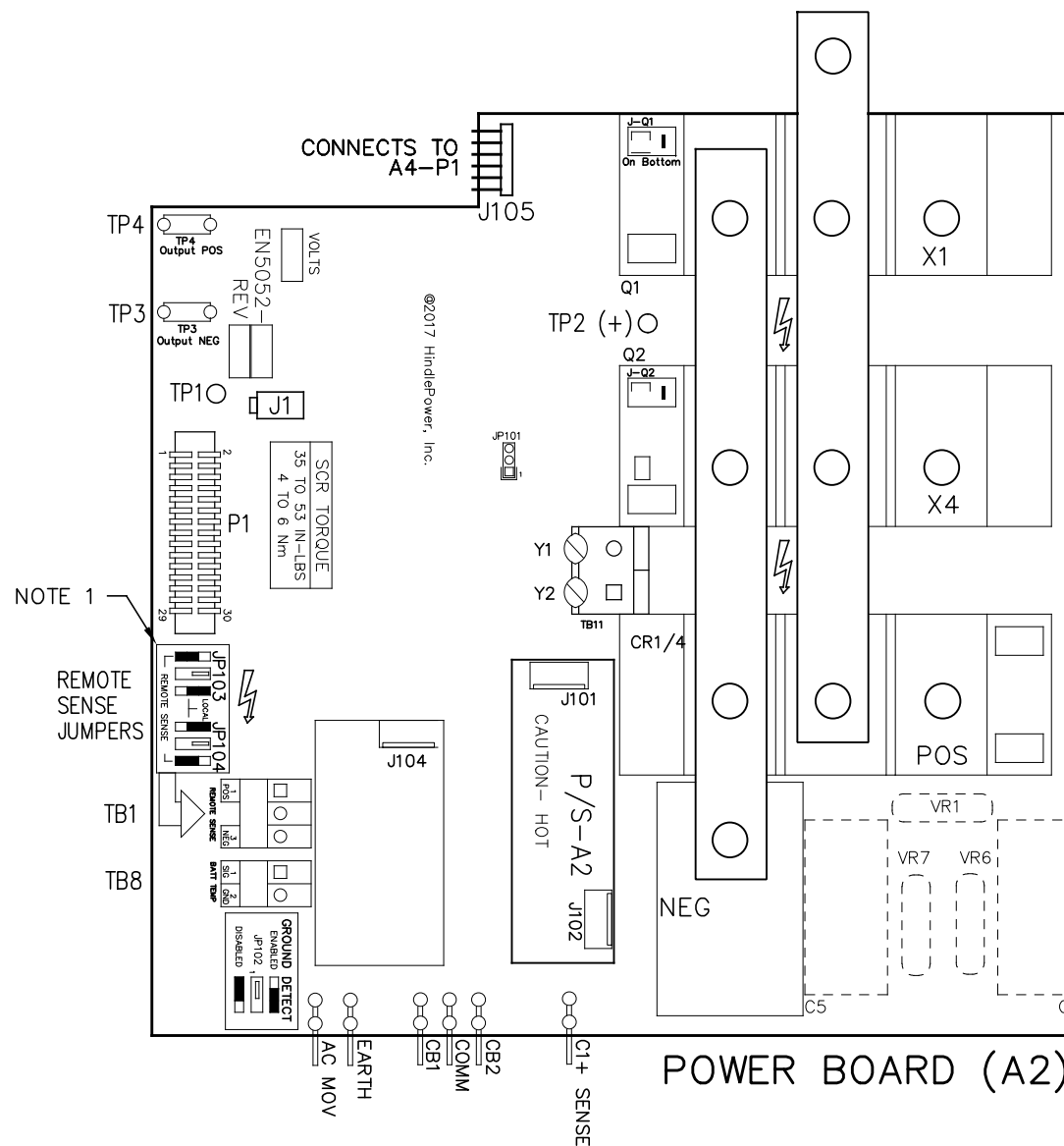
- S1 – DISPLAY BUTTON
- S2 – CHARGE MODE BUTTON
- S3 – EQUALIZE METHOD BUTTON
- S4 – ESCAPE (ESC) BUTTON
- S5 – LEFT ARROW BUTTON
- S6 – MENU BUTTON
- S7 – UP ARROW BUTTON
- S8 – EDIT / ENTER BUTTON
- S9 – DOWN ARROW BUTTON
- S10 – ALARM BUTTON
- S11 – RIGHT ARROW BUTTON
- S12 – HINDLE HEALTH (HHS) BUTTON
- SW13 – SYSTEM RESET BUTTON (BACK OF BOARD)

CONNECTORS:

- P1 – POWER BOARD RIBBON
- P2 – 3 PHASE RECTIFIER RIBBON
- P3 – USB EXPANSION PORT
- P4 – SPI & I2C EXPANSION PORT #1
- P5 – SPI & I2C EXPANSION PORT #2
- P6 – DISPLAY SPI PORT
- P7 – DISPLAY JTAG PORTS
- P10 – SERIAL INTERFACE PORT #1
- P11 – SERIAL INTERFACE PORT #2
- P12 – SERIAL INTERFACE PORT #3
- P13 – ETHERNET INTERFACE PORT
- P17 – GENERAL EXPANSION PORT

I/O TERMINAL	DESCRIPTION – TYPE	CONNECTION
(A1) TB6	SUMMARY ALARM TERMINAL BLOCK (A1) – SOLDERLESS COMP SCREW	#22-14 AWG

REV. D	DRN BY KJB	CHK BY MCR	APP BY MCR	DATE 10/29/2021	DRN BY KJB	DATE: 10/29/2021	TITLE ATEVO BATTERY CHARGER CONTROL PANEL / PC BOARD DETAIL 1Ø W/O OPTIONS 75-100A	SCALE B NTS	DWG No JE5313-04	REV D	SHEET 1 OF 2
DESCRIPTION					DATE: 10/29/2021						
STANDARD DRAWINGS.					DATE: 10/29/2021						
ECN NO. N/A					DATE: 10/29/2021						



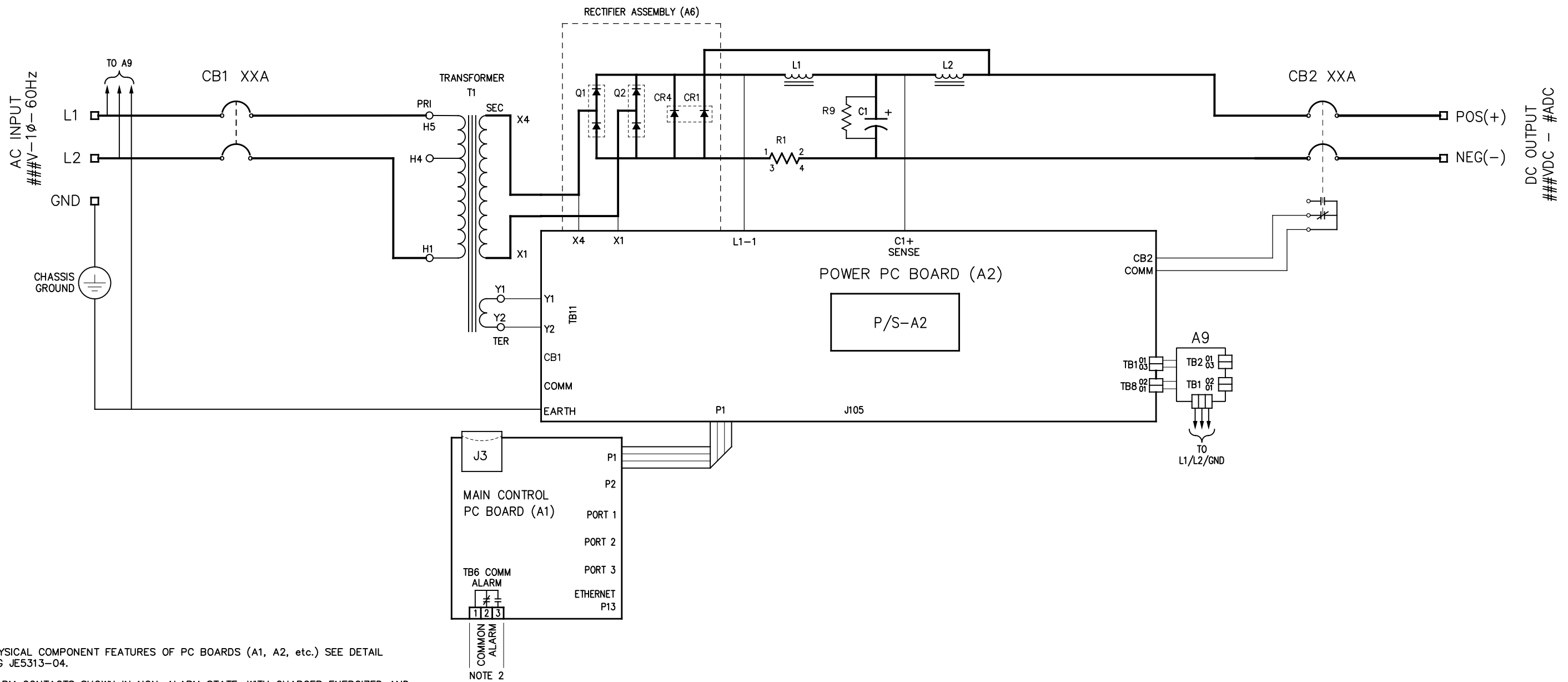
- USER TERMINALS ON POWER BOARD (A2):
 TB1 - REMOTE VOLTAGE SENSE
 TB8 - BATTERY TEMPERATURE COMPENSATION
 TB11 - 'Y' CONTROL WINDINGS
- JUMPERS ON POWER BOARD (A2):
 JP102 - GROUND DETECT CIRCUIT ENABLE / DISABLE
 JP103 - REMOTE OR LOCAL SENSE SELECTOR (+)
 JP104 - REMOTE OR LOCAL SENSE SELECTOR (-)
- CONNECTORS ON POWER BOARD (A2):
 J1 - POWER OUT
 J101 - DC POWER SUPPLY
 J102 - DC POWER SUPPLY
 J105 - AUXILIARY I/O BOARD
 P1 - MAIN CONTROL BOARD RIBBON
- DISCRETE TERMINALS:
 AC MOV - CHASSIS EARTH GROUND
 EARTH - CHASSIS EARTH GROUND (DOOR)
 CB1 - AC BREAKER AUX SWITCH CONTACT
 CB2 - DC BREAKER AUX SWITCH CONTACT
 POS - POSITIVE CONNECTION POINT
 NEG - NEGATIVE CONNECTION POINT
 COMM - BREAKER AUX SWITCH COMMON
 X1 - TRANSFORMER SECONDARY WINDING
 X4 - TRANSFORMER SECONDARY WINDING
 L1-1 - FILTER INDUCTOR #1 (TERMINAL #1)
 L1-2 - FILTER INDUCTOR #1 (TERMINAL #2)
- TEST POINTS ON POWER BOARD (A2):
 TP1 - PRE-FILTERED DC BUS (-)
 TP2 - PRE-FILTERED DC BUS (+)
 TP3 - DC BUS (-)
 TP4 - DC BUS (+)

NOTE 1
 REMOTE SENSE JUMPERS

NOTE:
 1. REMOTE SENSE JUMPERS JP103,JP104 MUST BE IN REMOTE SENSE POSITION IN 5070 CABINETS.

I/O TERMINAL	DESCRIPTION - TYPE	CONNECTION
(A2) TB1	POS/NEG REMOTE SENSE TERMS (A2) - SOLDERLESS COMP SCREW	#22-14 AWG
(A2) TB8	TEMPCO PROBE (A10) TERM BLK - SOLDERLESS COMP SCREW	#22-14 AWG

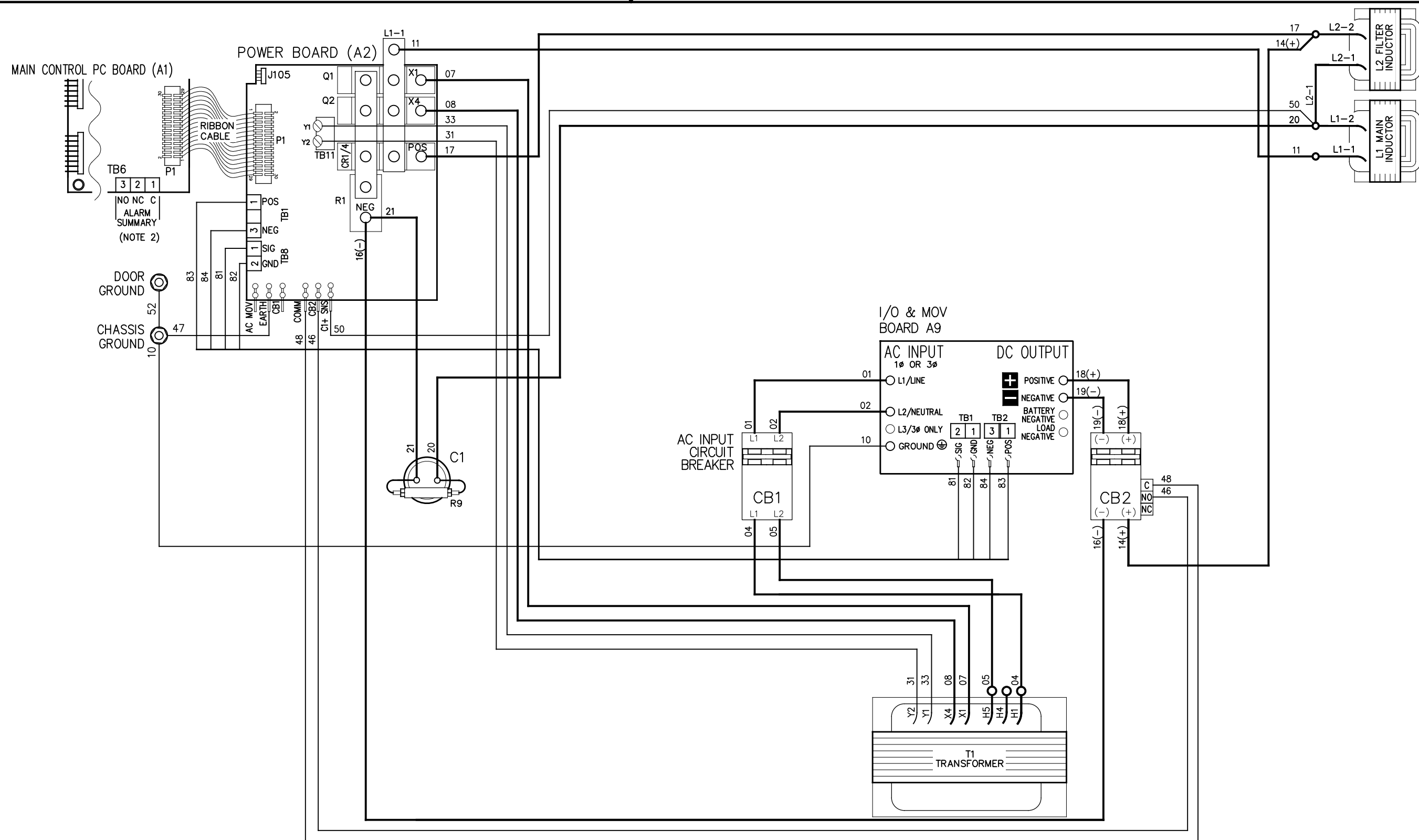
REV. DRN BY D KJB	CHK BY MCR	APP BY MCR	DATE 10/29/2021	DRN BY KJB	DATE 10/29/2021
DESCRIPTION STANDARD DRAWINGS.				CHK BY MCR	DATE 10/29/2021
ECN NO. N/A				APP BY MCR	DATE 10/29/2021
				TITLE ATEVO BATTERY CHARGER CONTROL PANEL / PC BOARD DETAIL 1Ø W/O OPTIONS 75-100A	
				SCALE NTS	DWG No JE5313-04
				REV E	SHEET 2 OF 2



NOTES:

1. FOR PHYSICAL COMPONENT FEATURES OF PC BOARDS (A1, A2, etc.) SEE DETAIL DRAWING JE5313-04.
2. ALL ALARM CONTACTS SHOWN IN NON-ALARM STATE, WITH CHARGER ENERGIZED AND ALARM RELAYS ENERGIZED (FAIL SAFE). ALL ALARM CONTACTS WILL CHANGE STATE WHEN CHARGER IS POWERED DOWN. CONTACT RATING IS: 0.5A @ 125VAC/VDC RESISTIVE.

REV. DRN BY	CHK BY	APP BY	DATE	DRN BY	DATE:	TITLE ATEVO BATTERY CHARGER SCHEMATIC: STYLE 5070 1Ø W/O OPTIONS 75-100A	
D	KJB	MCR	MCR	10/29/2021	KJB		10/29/2021
DESCRIPTION			CHK BY				DATE:
STANDARD DRAWINGS.			MCR				10/29/2021
ECN NO. N/A			APP BY			DATE:	
			MCR			10/29/2021	
						TITLE	
						B	
						SCALE	
						NTS	
						DWG No	
						JE5311-04	
						REV	
						D	
						SHEET	
						1 OF 1	



NOTES:

1. WHEN NATURAL LEADS OF MAGNETICS ARE NOT USED, CHARGER COMPONENTS ARE CONNECTED WITH BLACK FLAME-RETARDANT SWITCHBOARD INSULATION SYSTEM (SIS) TYPE WIRING, IDENTIFIED ON EACH END WITH NUMBER-CODED MARKERS. GROUND WIRES ARE GREEN WITH YELLOW STRIPE.
2. STANDARD USER ALARM CONTACTS (TB6 [A1], TB1[A2], TB8[A2], etc.) ARE SOLDERLESS COMPRESSION SCREW TERMINALS, ACCEPTING #22-14 AWG WIRE.

REV. D	DRN BY KJB	CHK BY MCR	APP BY MCR	DATE 10/29/2021	DRN BY KJB	DATE: 10/29/2021	TITLE ATEVO BATTERY CHARGER CONNECTION DIAGRAM: STYLE 5070 1Ø W/O OPTIONS 75-100A	
DESCRIPTION STANDARD DRAWINGS.					CHK BY MCR	DATE: 10/29/2021		
ECN NO. N/A					APP BY MCR	DATE: 10/29/2021		
					SCALE DWG No B NTS JE5312-04			
							REV D	SHEET 1 OF 1